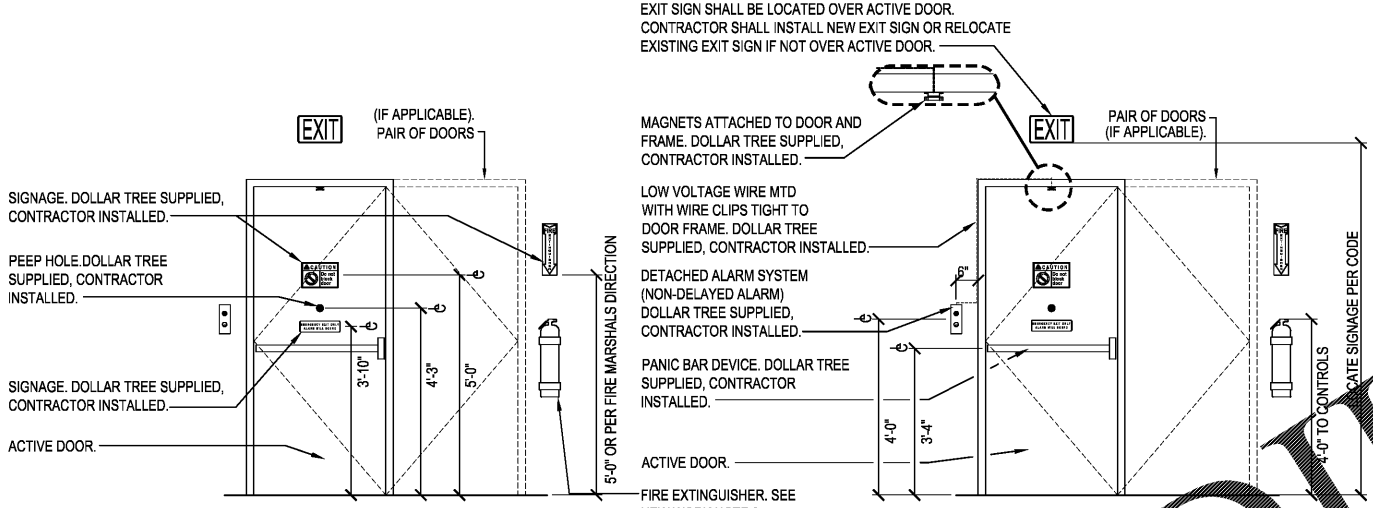


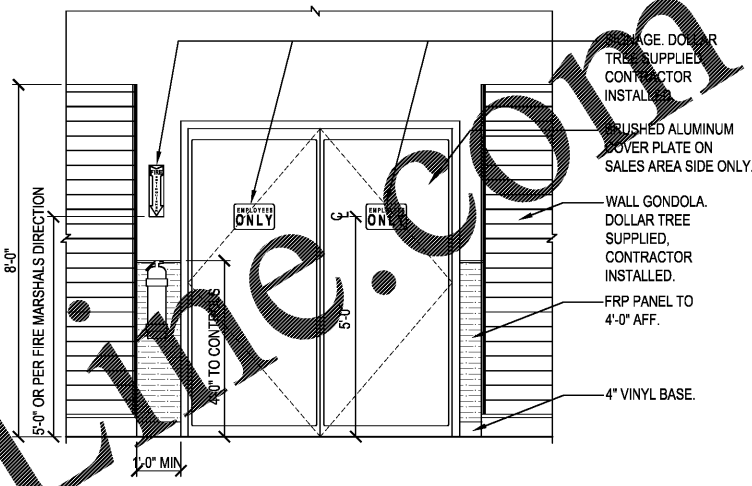
CONTRACTOR SHALL INSTALL 5'x 5' ENTRANCE ACCESSIBILITY DECAL ON STOREFRONT GLAZING. DECAL SHALL BE MOUNTED TO THE RIGHT OF THE MAIN ENTRANCE STOREFRONT DOOR (DO NOT MOUNT NEXT TO EXIT DOORS).

NOTE: IF HARD SURFACE EXIST NEXT TO STOREFRONT ENTRANCE DOOR, CONTRACTOR SHALL SUPPLY AND INSTALL BACKER FOR DECAL TO ADHERE TO AND ATTACH TO HARD SURFACE AS REQUIRED.

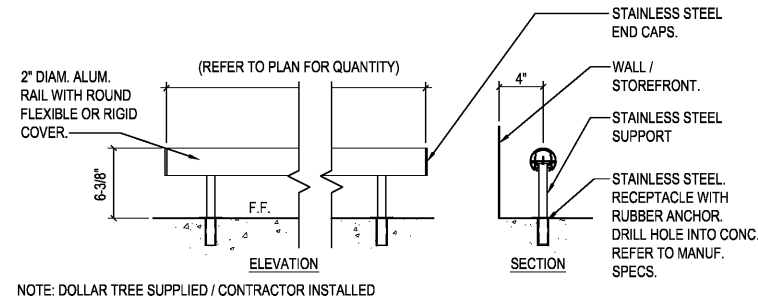
**A ACCESSIBILITY DECAL @ STOREFRONT ENTRANCE**  
A-2.6 SCALE: 1/2" = 1'-0"



**B FREIGHT DOOR ELEVATION (EGRESS DOOR SIMILAR)**  
A-2.6 SCALE: 1/2" = 1'-0"

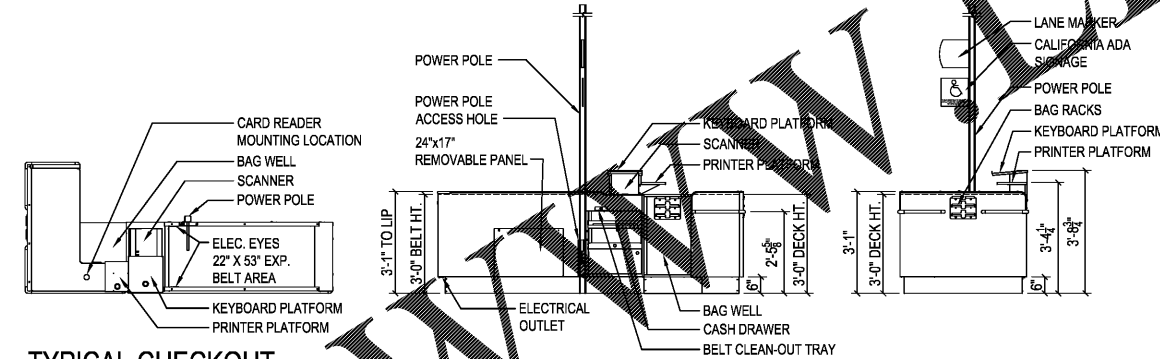


**C SALES / STOCKROOM DOOR ELEVATION**  
A-2.6 SCALE: 1/2" = 1'-0"



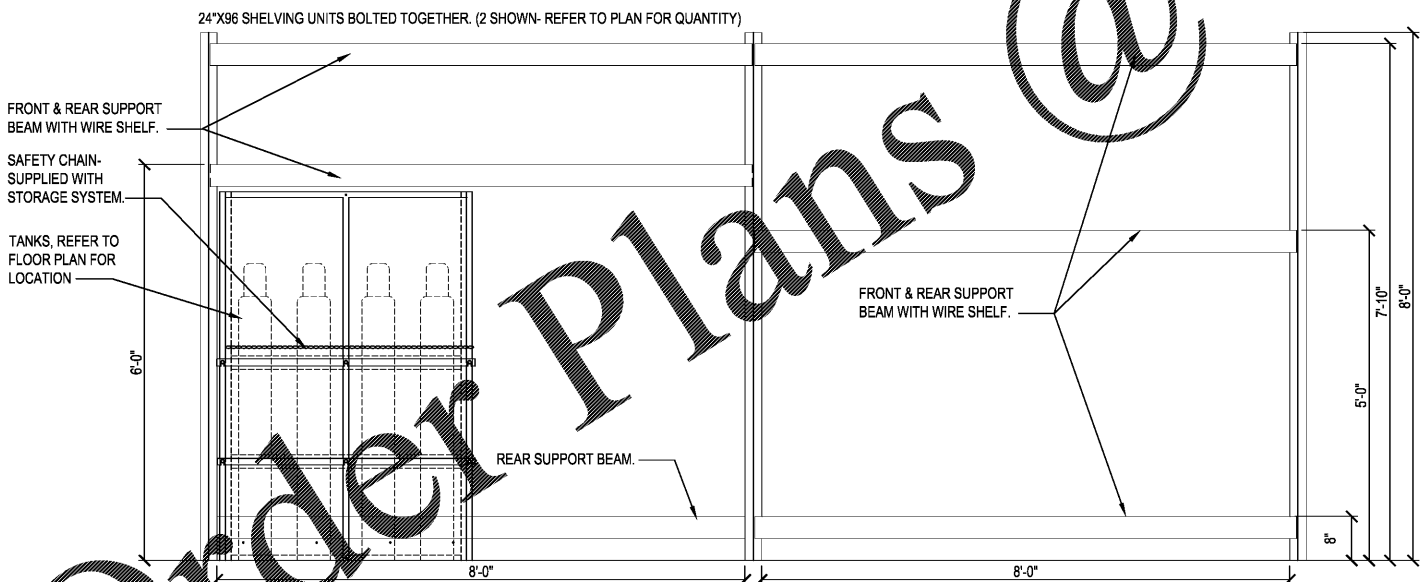
NOTE: DOLLAR TREE SUPPLIED / CONTRACTOR INSTALLED

**1 SHOPPING CART BUMPER DETAIL**  
A-2.6 SCALE: 1 1/2" = 1'-0"



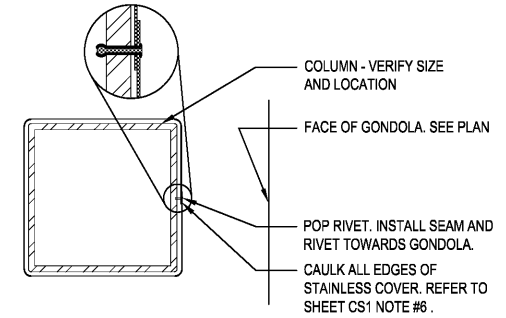
**TYPICAL CHECKOUT**  
SCALE: NTS

- NOTE:
- CHECKOUTS ARE DOLLAR TREE SUPPLIED.
  - CHECKOUT AISLES SHALL COMPLY WITH 2013 CALIFORNIA BUILDING CODE 11B-216.11 AND 11B-227.2.
  - PROVIDE SIGN DISPLAYING THE INTERNATIONAL SYMBOL OF ACCESSIBILITY IN BLUE AND WHITE ABOVE THE CHECKOUT AISLE IN THE SAME LOCATION AS THE CHECKOUT NUMBER OR TYPE OF CHECKOUT IDENTIFICATION.



NOTE:  
1. REFER TO PLAN FOR QUANTITY AND SIZE.  
2. DOLLAR TREE SUPPLIED, CONTRACTOR INSTALLED.  
3. SECURE TO FLOOR PER MANUFACTURERS SPECIFICATIONS.

**2 24" X 96" SHELVING ELEVATION**  
A-2.6 SCALE: 3/4" = 1'-0"



**3 COLUMN DETAIL**  
A-2.6 SCALE: 1 1/2" = 1'-0"

Order Plans @

	<b>DOLLAR TREE</b> COLUMBUS, GA MISCELLANEOUS DETAILS & ELEVATIONS	
	PROJ. NO. 17138-73	DWG. NO. A-2.6

	3801 SPRING HILL AVENUE MOBILE, ALABAMA 36608 (251) 344-7073 / FAX (251) 343-9179
--	---

REV.	DATE	DRN	CHK	DESCRIPTION
▲	08/08/17	RWH	LGS	
▲				
▲				

DOCUMENT CONTROL