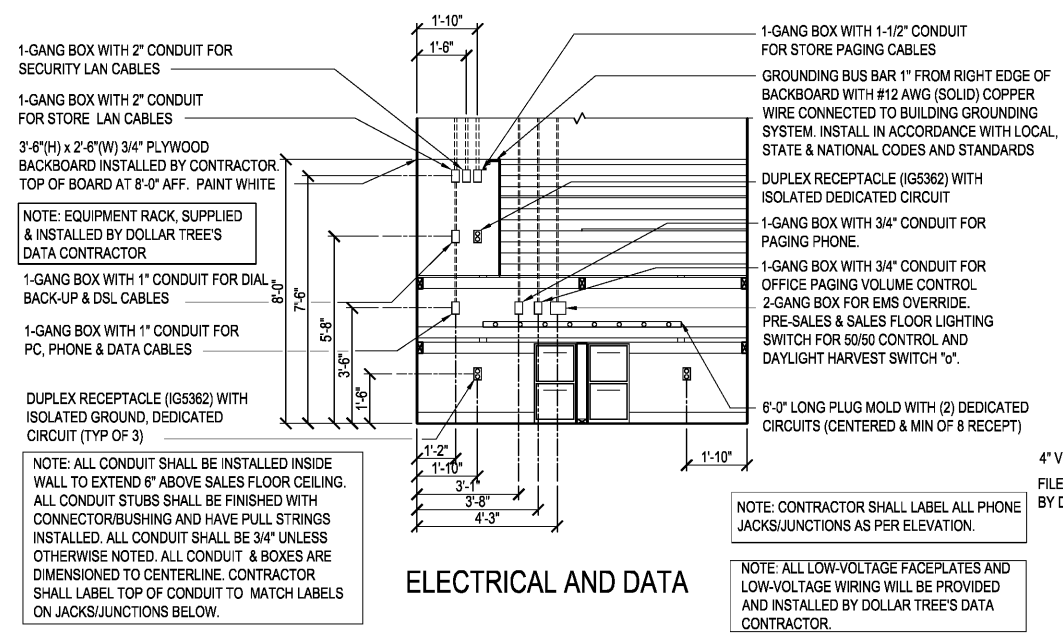
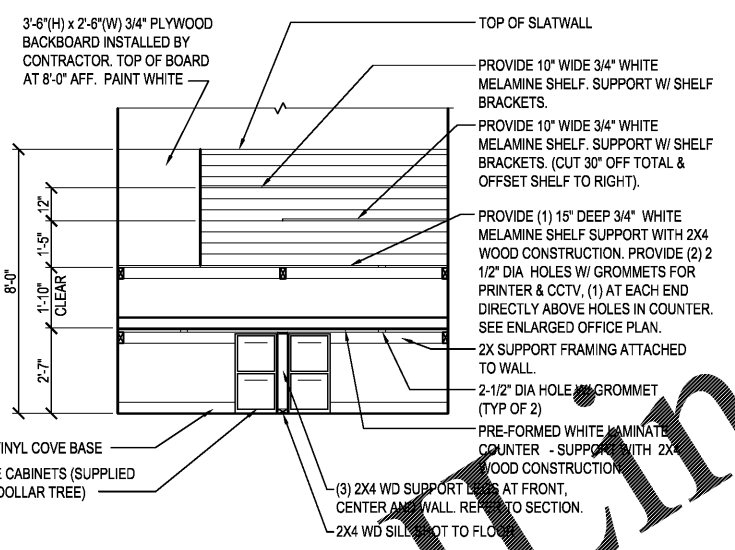


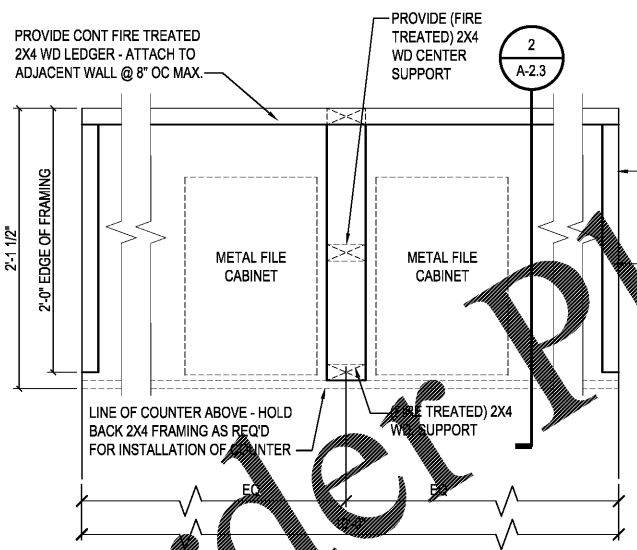
**A OFFICE ELEVATION**  
A-2.3 SCALE: 3/8" = 1'-0"



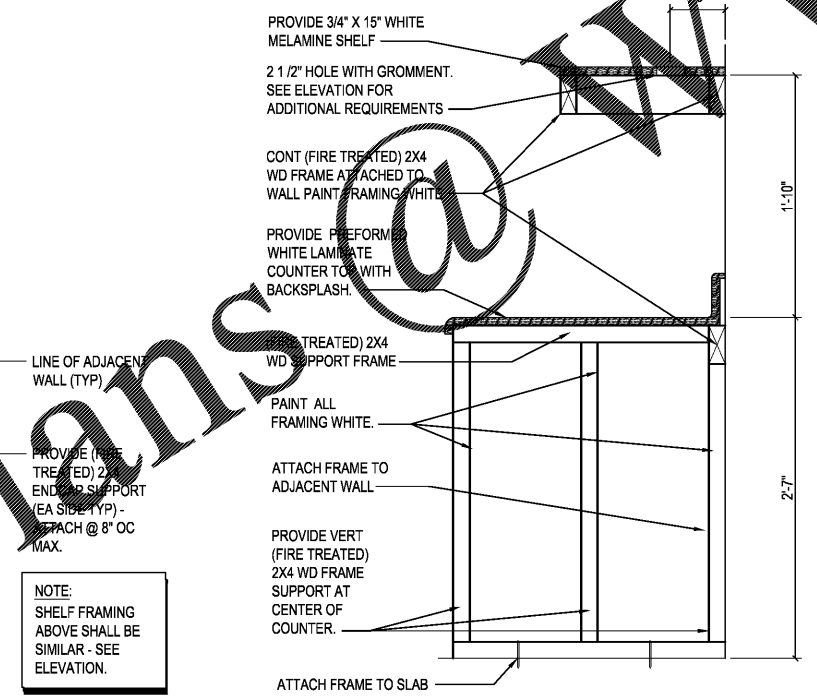
**B OFFICE ELEVATION**  
A-2.3 SCALE: 3/8" = 1'-0"



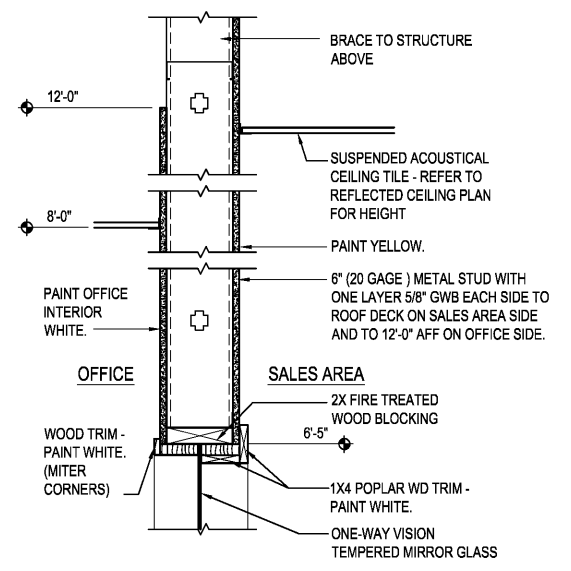
**FINISHES, SHELVING AND CONSTRUCTION**



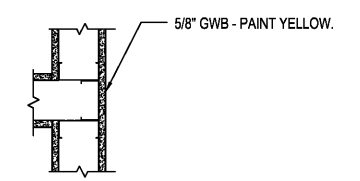
**1 PLAN DETAIL**  
A-2.3 SCALE: 1/2" = 1'-0"



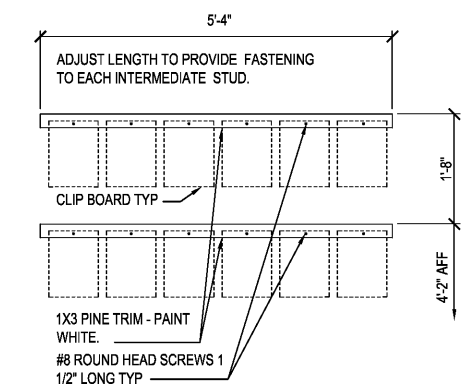
**2 SECTION**  
A-2.3 SCALE: 1 1/2" = 1'-0"



**3 HEAD / JAMB DETAIL**  
A-2.3 SCALE: 1 1/2" = 1'-0"



**4 DETAIL**  
A-2.3 SCALE: 1 1/2" = 1'-0"



**C CLIPBOARD RACK ELEVATION**  
A-2.3 SCALE: 3/4" = 1'-0"

Order Plans @ WWW.LDLINE.COM

<p>3901 SPRING HILL AVENUE MOBILE, ALABAMA 36608 (251) 344-7073 / FAX (251) 343-9179</p>	<p>REV. DATE</p> <p>08/08/17</p>	<p>RWH LGS</p> <p>DRN CHK</p>	<p>DESCRIPTION</p> <p>DOCUMENT CONTROL</p>		<p><b>DOLLAR TREE</b></p> <p>COLUMBUS, GA</p> <p>OFFICE DETAILS &amp; ELEVATIONS</p>
	<p>PROJ. NO. 17138-73</p>	<p>DWG. NO. A-2.3</p>	<p>18-08-2017</p>	<p>STATE OF GEORGIA</p> <p>REGISTERED PROFESSIONAL ARCHITECT</p>	<p>PROJ. NO. 17138-73</p> <p>DWG. NO. A-2.3</p>