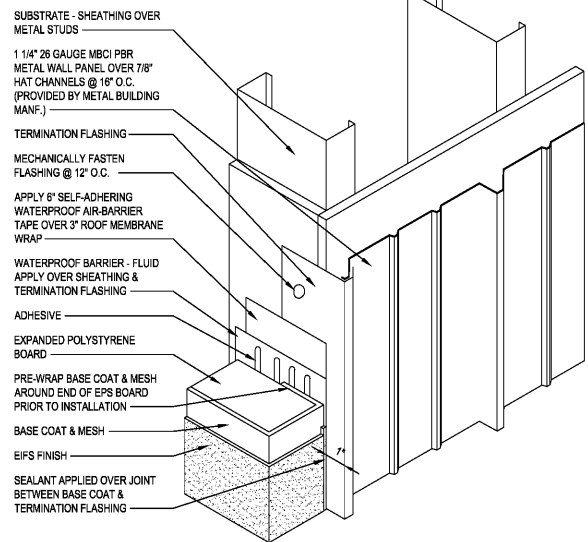
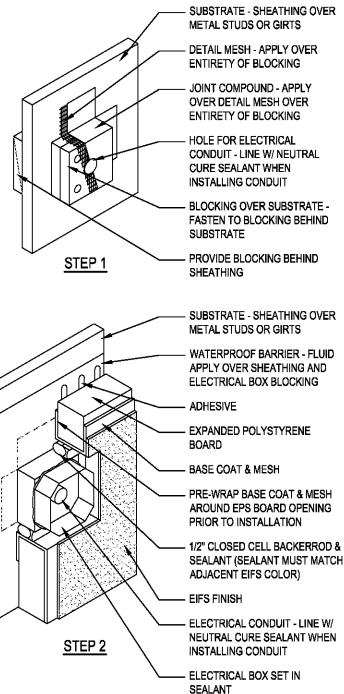


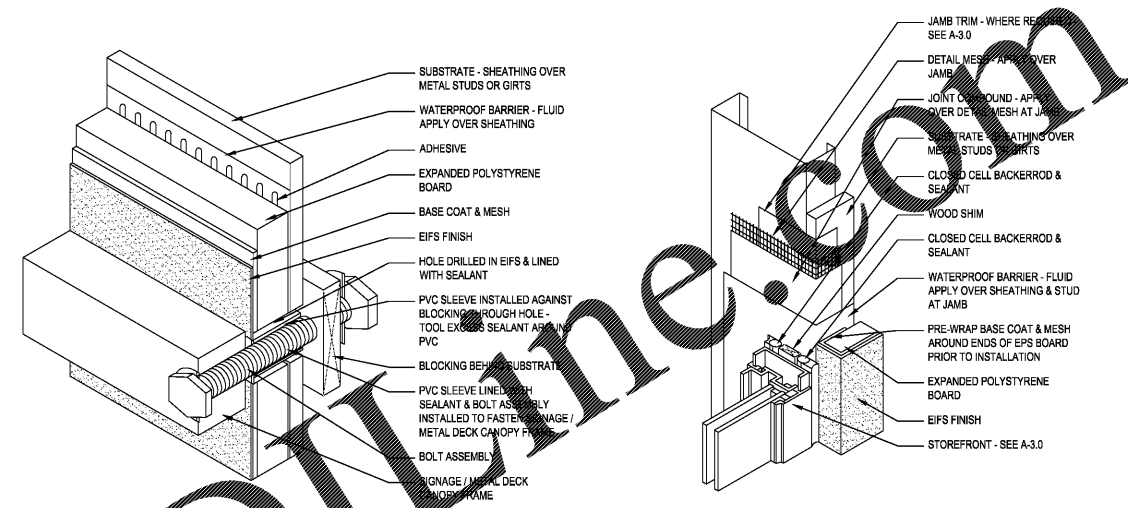
EIFS DRIP EDGE / ATTACHMENT DETAIL 1
SCALE: NONE



EIFS TERMINATION DETAIL 2
SCALE: NONE

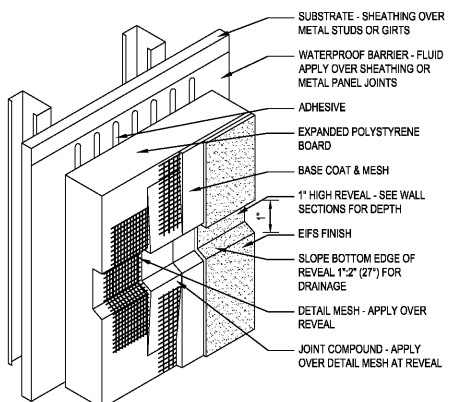


EIFS ELECTRICAL BOX DETAIL 3
SCALE: NONE

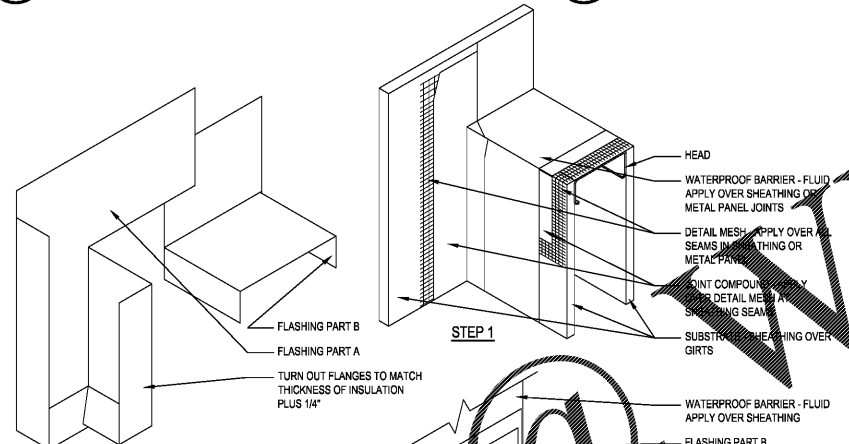


EIFS SIGNAGE / METAL DECK CANOPY ANCHORAGE DETAIL 4
SCALE: NONE

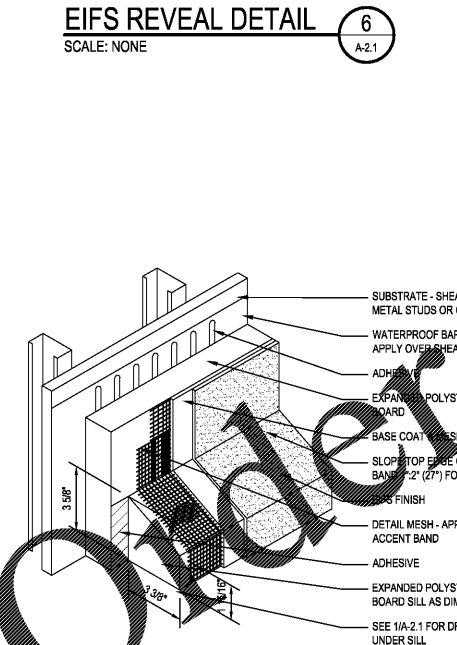
EIFS JAMB DETAIL 5
SCALE: NONE



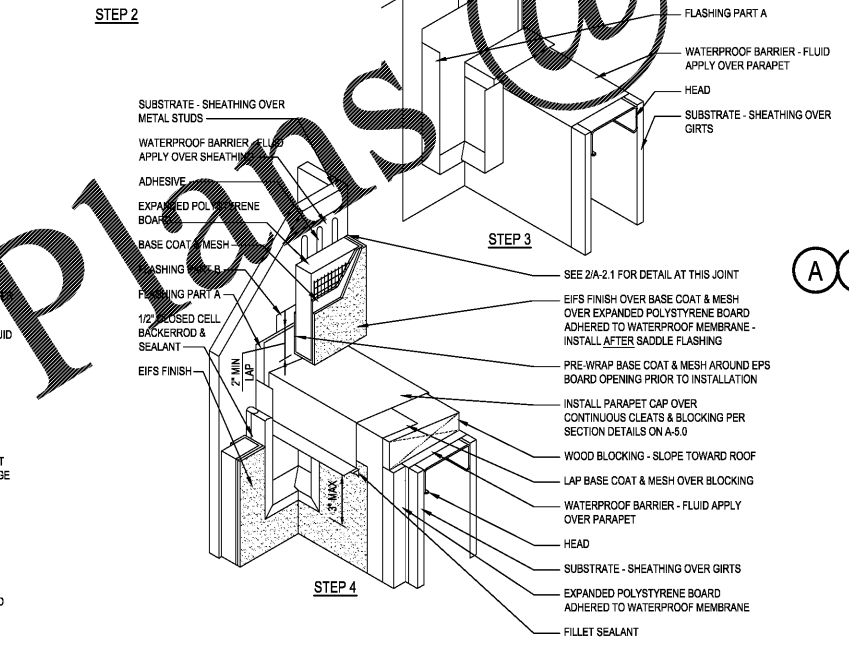
EIFS REVEAL DETAIL 6
SCALE: NONE



EIFS TERMINATION DETAIL 9
SCALE: 3/4"=1'-0"

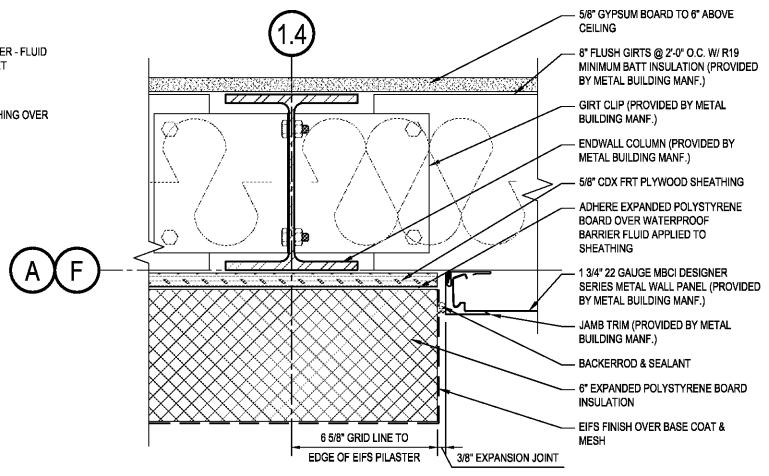


EIFS SILL DETAIL 7
SCALE: NONE

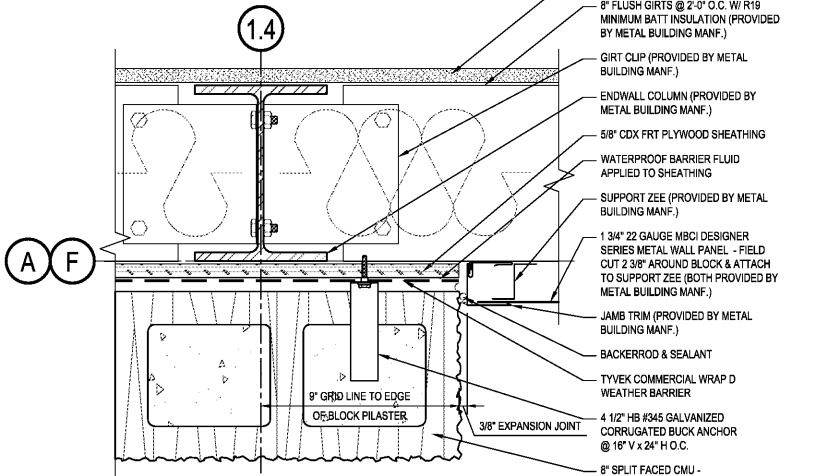


EIFS SADDLE FLASHING & PARAPET CAP DETAIL 8
SCALE: NONE

GENERAL NOTES:
1. GENERAL CONTRACTOR SHALL BE RESPONSIBLE FOR COORDINATING & SEQUENCING OF ANY SUB CONTRACTORS INVOLVED IN THIS WORK THAT INVOLVES INSTALLATION OVER OR PENETRATION THROUGH THIS EIFS SYSTEM. ALL PENETRATIONS THROUGH THIS EIFS SYSTEM MUST BE COORDINATED WITH THE APPLICATOR TO ENSURE A WATERTIGHT TRANSITION OF ALL PENETRATIONS THROUGH THE EIFS SYSTEM.
2. THE EIFS APPLICATOR SHALL FOLLOW ALL DETAILS PROVIDED IN ADDITION TO THE MANUFACTURER STANDARD DETAILS.



EIFS TERMINATION DETAIL 10
SCALE: 3/4"=1'-0"



BLOCK TERMINATION DETAIL 11
SCALE: 3/4"=1'-0"

	DOLLAR TREE COLUMBUS, GA EIFS DETAILS	
	PROJ. NO. 1605-84	DWG. NO. A-2.1
REV. DATE DRN CHK	DESCRIPTION DOCUMENT CONTROL	