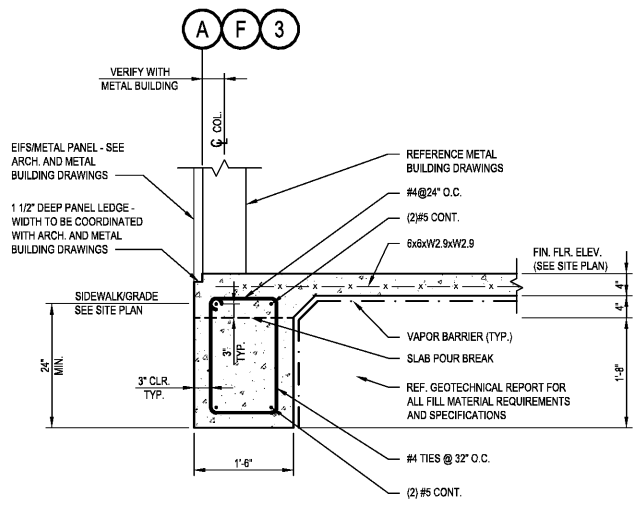
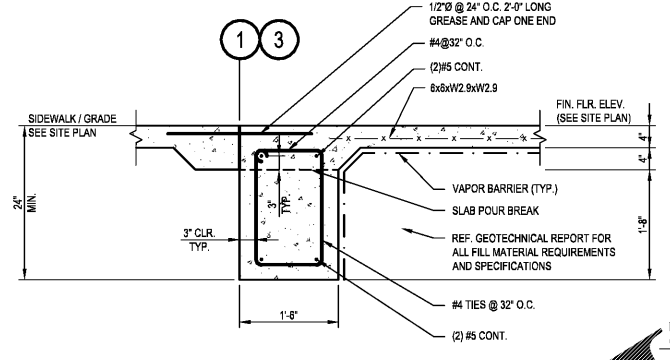


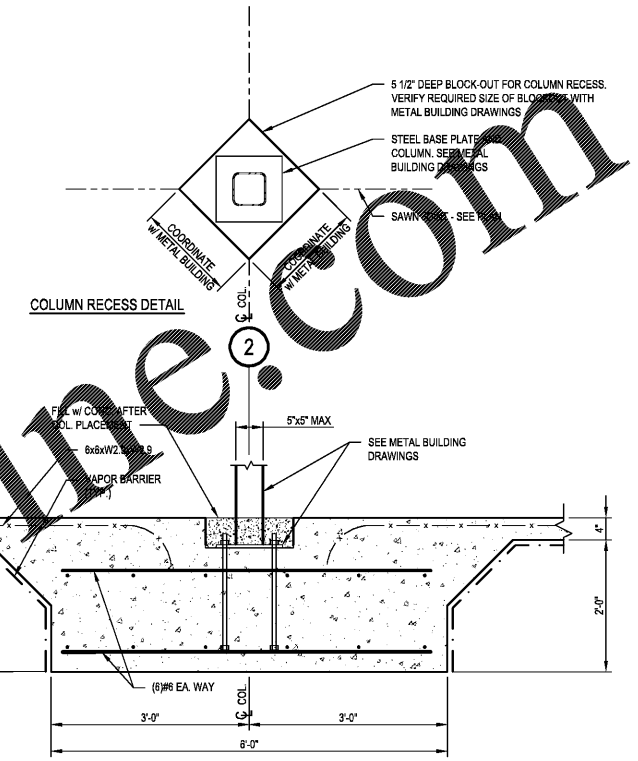
**SECTION A**  
SCALE: 3/4"=1'-0"  
F-2.0



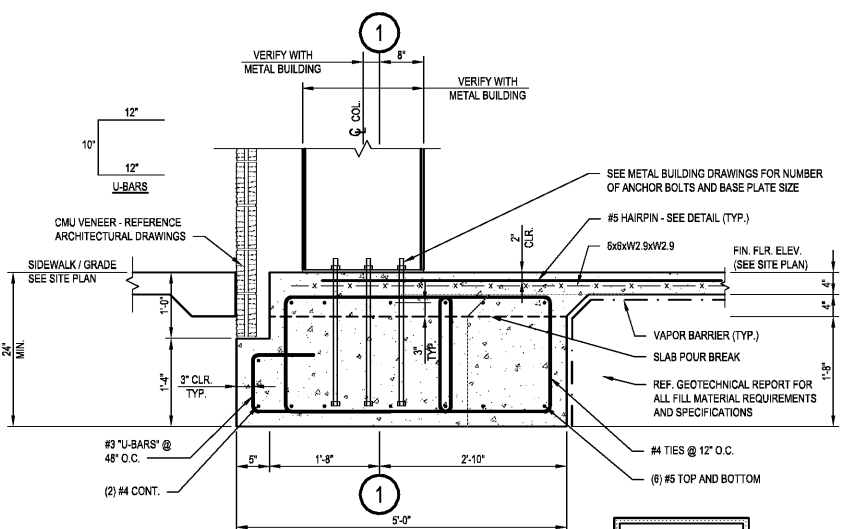
**SECTION B**  
SCALE: 3/4"=1'-0"  
F-2.0



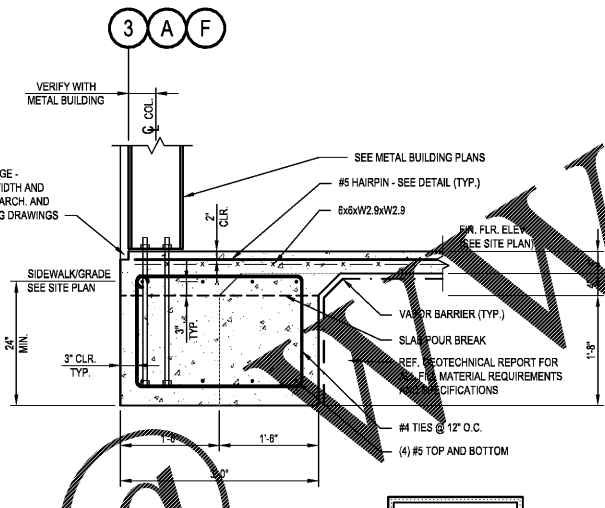
**SECTION C**  
SCALE: 3/4"=1'-0"  
F-2.0



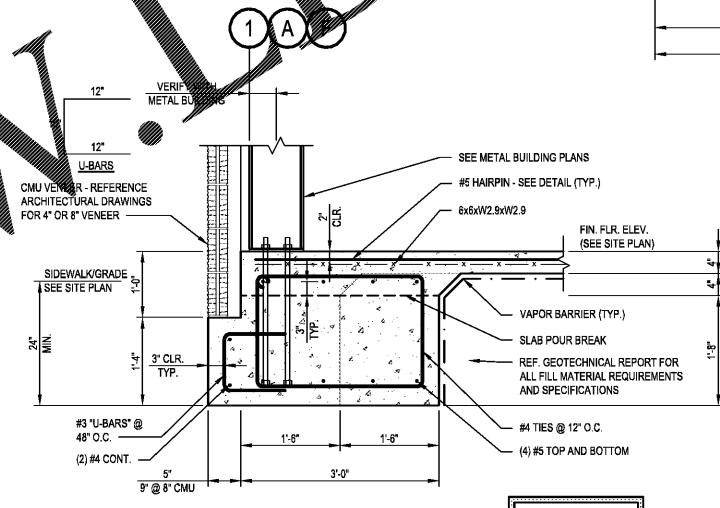
**FOOTING 1**  
SCALE: 3/4"=1'-0"  
F-2.0



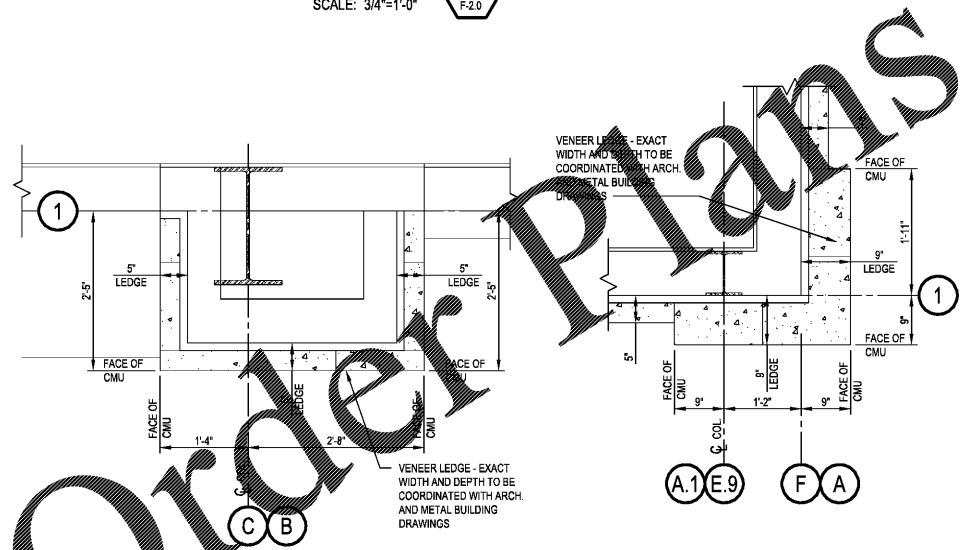
**FOOTING 2**  
SCALE: 3/4"=1'-0"  
F-2.0



**FOOTING 3**  
SCALE: 3/4"=1'-0"  
F-2.0



**FOOTING 4**  
SCALE: 3/4"=1'-0"  
F-2.0



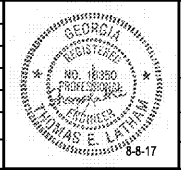
**ENLARGED PLAN DETAILS**  
SCALE: 3/4"=1'-0"

NOTES:  
1. COORDINATE ALL SLAB EDGES WITH ARCHITECTURAL AND METAL BUILDING DRAWINGS PRIOR TO POURING SLAB.



REV.	DATE	BY	CHK	DESCRIPTION
8-8-17		DGH	TEL	
		DRN	CHK	

DOCUMENT CONTROL



**DOLLAR TREE**

COLUMBUS, GA

FOUNDATION SECTIONS & DETAILS

PROJ. NO. 1605-84      DWG. NO. F-2.0