

- NOTES:**
- REDUCED PRESSURE BACK FLOW PREVENTER ASSEMBLY UL/FM FOR FIRE PROTECTION WATER SUPPLY SERVICE, MODEL & MAKE SHALL BE AS PER CITY OF ST. PETERSBURG WATER DEPARTMENT APPROVED STANDARDS.
 - O.S. & Y - UL/FM OUTSIDE STEM & YOKE RESILIENT SEATED GATE VALVE.
 - EXACT DIMENSIONS TO THE CONCRETE SLAB, CONCRETE SLAB REINFORCEMENT & SIZE FOR SERVING, BACK FLOW PREVENTER SUPPORTS AND DRAIN WITH AIR GAP COMPONENTS SHALL BE AS PER LOCAL WATER DEPARTMENT DETAILS.
 - WIRE VALVES TAMPER SWITCHES TO FIRE ALARM PANEL. RUN EMPTY CONDUIT FOR WIRING BY ELECTRICAL CONTRACTOR. USE OF PADLOCK & CHAIN IF APPROVED BY LOCAL FIRE DEPARTMENT ONLY.
 - PAINT BACK FLOW PREVENTER ASSEMBLY AND EXPOSED PIPING WITH COLOR AS APPROVED BY LOCAL BUILDING DEPARTMENT.
 - PROPOSED FREE STANDING STORZ FIRE DEPARTMENT CONNECTION WITH APPROVED CHECK VALVE SHALL BE PIPED FROM TEE DOWNSTREAM OF THE ALARM VALVE ASSEMBLY IN ACCORDANCE WITH NFPA-13 8.15.1.1.1.3.

HYDRAULIC DESIGN SYSTEM

WET SYSTEM

THIS BUILDING IS PROTECTED BY A HYDRAULICALLY DESIGNED AUTOMATIC SPRINKLER SYSTEM

FOR:

CONTRACTOR'S NAME:

PRINT No. DATED:

AT CONTACT No.

DESIGN DENSITIES:

REQUIRED FLOW:

AT RESIDUAL PRESSURE:

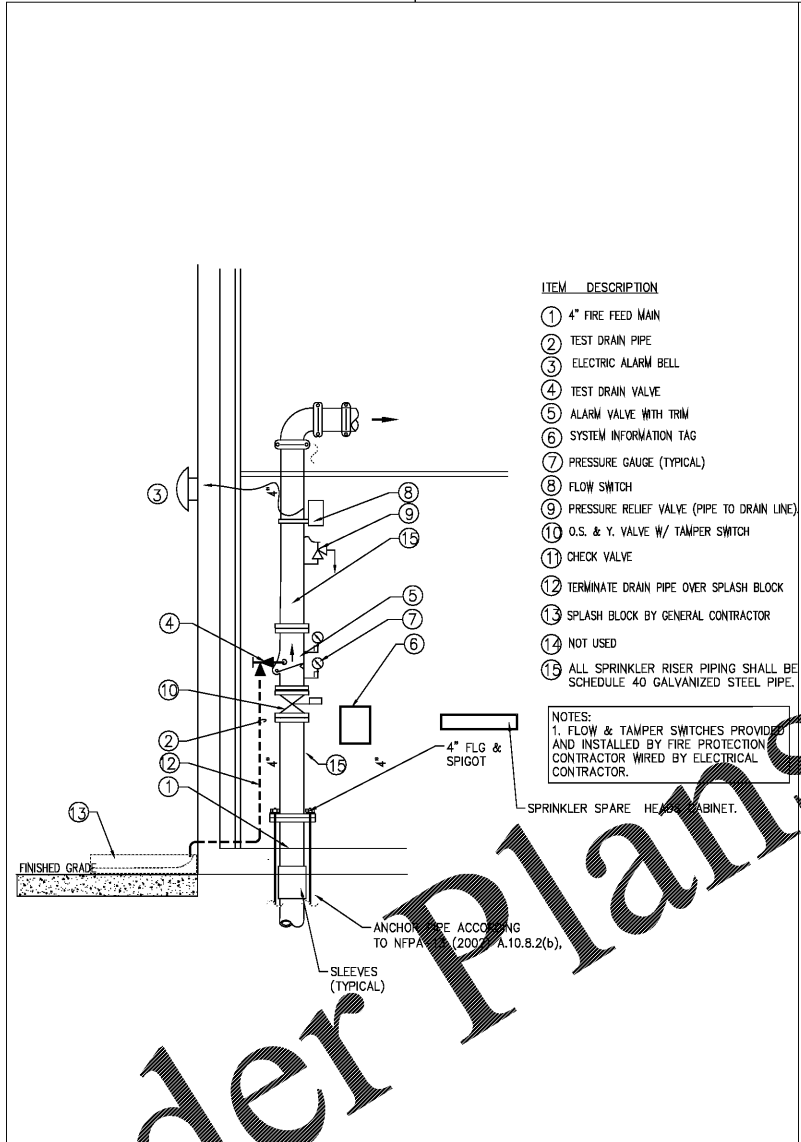
HOSE STREAM ALLOWANCES OF: IS INCLUDED IN THE ABOVE OCCUPANCY CLASSIFICATION:

COMMODITY CLASSIFICATION:

MAXIMUM STORAGE HEIGHT:

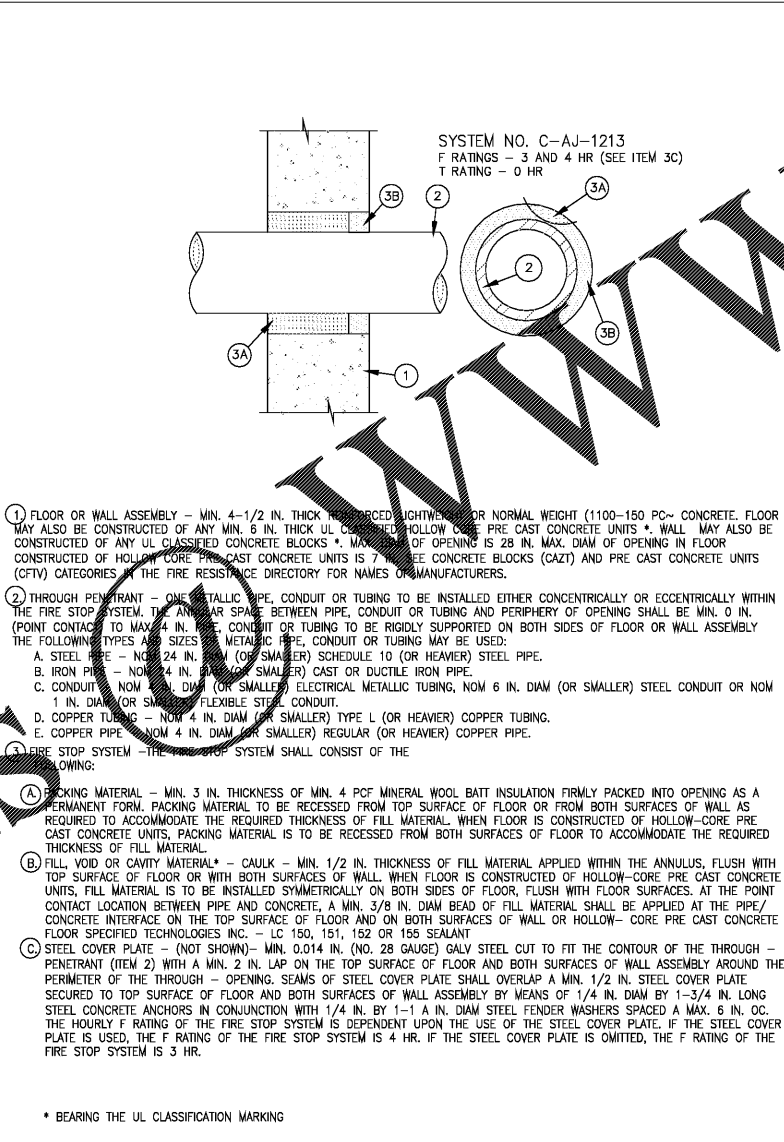
PROPOSED DOUBLE CHECK PRESSURE REDUCING BACKFLOW ASSEMBLY
NOT TO SCALE

TAG AT SPRINKLER RISER
NOT TO SCALE

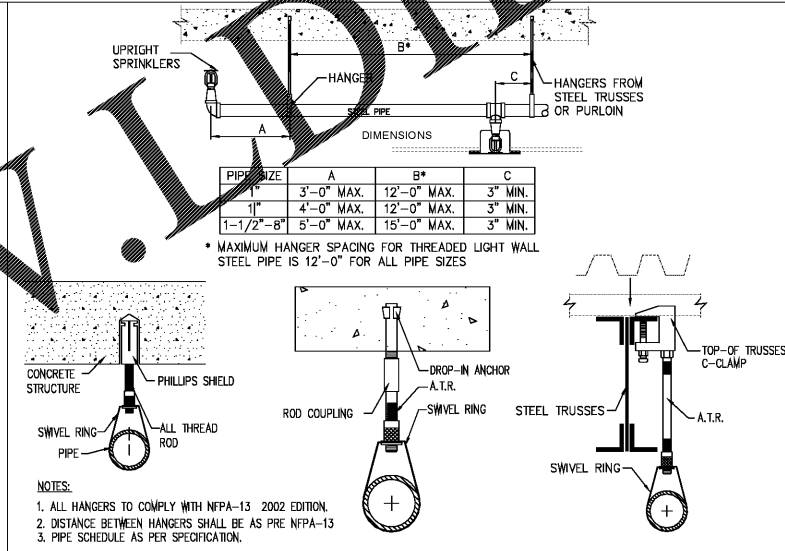


- ITEM DESCRIPTION**
- 4" FIRE FEED MAIN
 - TEST DRAIN PIPE
 - ELECTRIC ALARM BELL
 - TEST DRAIN VALVE
 - ALARM VALVE WITH TRIM
 - SYSTEM INFORMATION TAG
 - PRESSURE GAUGE (TYPICAL)
 - FLOW SWITCH
 - PRESSURE RELIEF VALVE (PIPE TO DRAIN LINE)
 - O.S. & Y. VALVE W/ TAMPER SWITCH
 - CHECK VALVE
 - TERMINATE DRAIN PIPE OVER SPLASH BLOCK
 - SPLASH BLOCK BY GENERAL CONTRACTOR
 - NOT USED
 - ALL SPRINKLER RISER PIPING SHALL BE SCHEDULE 40 GALVANIZED STEEL PIPE.
- NOTES:**
- FLOW & TAMPER SWITCHES PROVIDED AND INSTALLED BY FIRE PROTECTION CONTRACTOR W/ ELECTRICAL CONTRACTOR.
 - 4" FLG & SPIGOT
 - SPRINKLER SPARE HEAD CABINET.
 - ANCHOR W/ES ACCORDING TO NFPA 13 (2007) A.10.8.2(b)
 - SLEEVES (TYPICAL)

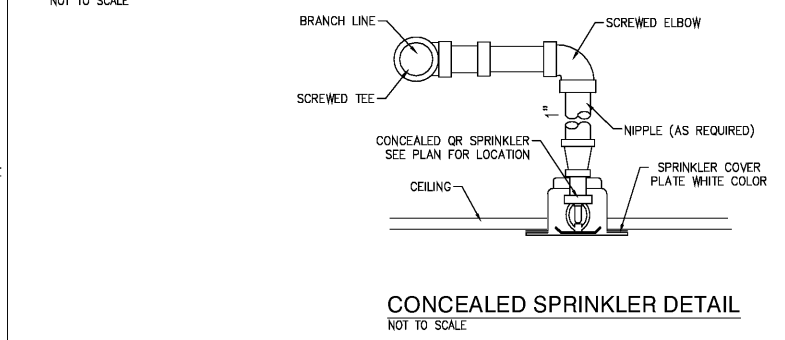
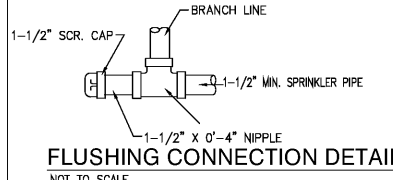
SPRINKLER RISER DETAIL
NOT TO SCALE



2,3 OR 4 HOUR RATED PENETRATION FOR FLOORS OR WALLS
NOT TO SCALE



PIPE HANGERS
NOT TO SCALE



FLUSHING CONNECTION AND SPRINKLER DETAIL
NOT TO SCALE



CITY OF TAMPA
CONTRACT ADMINISTRATION
DEPARTMENT
PLANNING AND DESIGN DIVISION
1705 E. JACKSON STREET 4 NORTH
TAMPA, FLORIDA 33602
P: 813. 274. 8456 - F: 813. 274. 8080
URL: www.tampagov.net

James E. Jackson, Jr. AIA, NOMA
City Architect
Edward D. Rice, AIA
Project Architect
Kevin L. Henka, AIA
Project Architect
Thomas A. Hester, Sr., AIA, NOMA
Project Architect
David R. Pagitt
Supervisor, Architectural Drafting
Kinsey C. Tillman
Drafting Technician
Jerry P. Sanders
Drafting Technician
Byron K. Thomas, LEED AP
Drafting Technician

MEP CONSULTANT
GRINER ENGINEERING, INC.
1628 1st AVENUE NORTH
ST. PETERSBURG, FL 33713

STRUCTURAL CONSULTANT
BILLER REINHART
STRUCTURAL GROUP, INC.
4014 GUNN HWY. SUITE 240
TAMPA, FL 33713

CIVIL CONSULTANT
B M CIVIL LLC
12315 WYCLIFF PLACE
TAMPA, FL 33626

LANDSCAPE CONSULTANT
DAVID CONNER & ASSOCIATES
1503 W. SWANN AVENUE SUITE 255
TAMPA, FL 33606

FIRE STATION 23
20770 TROUT CREEK DR.
TAMPA, FL 33647

DPW FILE NUMBER

DPW NUMBER
17-C-00037

ISSUE DATE
07-28-2017

DRAWN BY

REVISIONS

△

△

△

SEAL

Joseph H. Griner III, P.E. FL. 39491

SCALE: N.T.S

FIRE PROTECTION DETAILS

SHEET NUMBER

FP-4.0

X OF X

GRINER

GRINER ENGINEERING, INC.
1628 First Avenue North
St. Petersburg, Florida 33713
Phone: (727)-822-2335
Fax: (727)-821-3361
Certificate of Authorization #3173

Date: 06-15-2017
Drawn: JL
Designed: JL
EOR: JHG
Job no.: 17049