



CITY OF TAMPA
 CONTRACT ADMINISTRATION
 DEPARTMENT
 PLANNING AND DESIGN DIVISION
 205 E. JACKSON STREET 4 NORTH
 TAMPA, FLORIDA 33602
 P: 813. 274. 8466 - F: 813. 274. 8080
 URL: www.tampagov.net

James E. Jackson, Jr., AIA, NOMA
 City Architect
 Edward D. Rice, AIA
 Project Architect
 Kevin L. Henika, AIA
 Project Architect
 Thomas A. Hester, Sr., AIA, NOMA
 Project Architect
 David R. Pagitt
 Supervisor, Architectural Drafting
 Kinsey C. Tillman
 Drafting Technician
 Jerry P. Sanders
 Drafting Technician
 Byron K. Thomas, LEED AP
 Drafting Technician

MEP CONSULTANT
GRINER ENGINEERING, INC.
 1628 1st AVENUE NORTH
 ST. PETERSBURG, FL 33713

STRUCTURAL CONSULTANT
**BILLER REINHART
 STRUCTURAL GROUP, INC.**
 4014 GUNN HWY. SUITE 240
 TAMPA, FL 33713

CIVIL CONSULTANT
B M CIVIL LLC
 12315 WYCLIFF PLACE
 TAMPA, FL 33626

LANDSCAPE CONSULTANT
DAVID CONNER & ASSOCIATES
 1509 W. SWANN AVENUE SUITE 255
 TAMPA, FL 33606

FIRE STATION 23
 20770 TROUT CREEK DR.
 TAMPA, FL 33647

DPW FILE NUMBER

DPW NUMBER
 17-C-00037

ISSUE DATE
 07-28-2017

DRAWN BY

REVISIONS

△	
△	
△	

SEAL

Joseph H. Griner III, P.E. FL. 39491

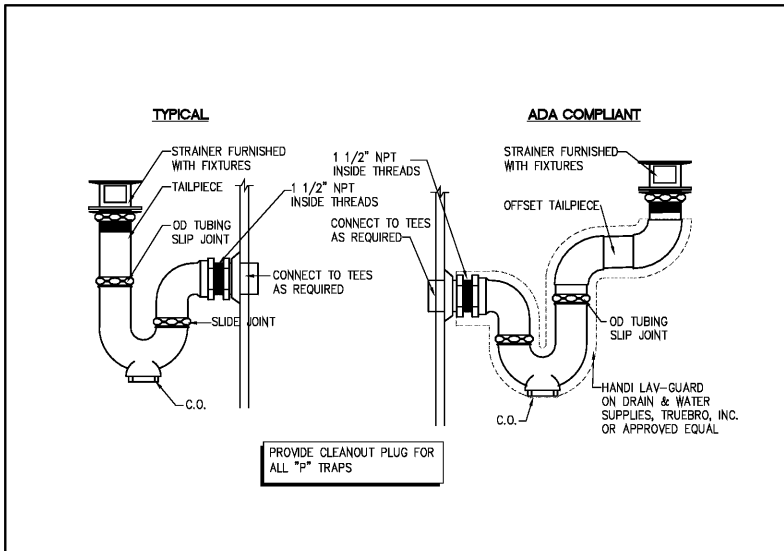
SCALE: N.T.S.

PLUMBING DETAILS

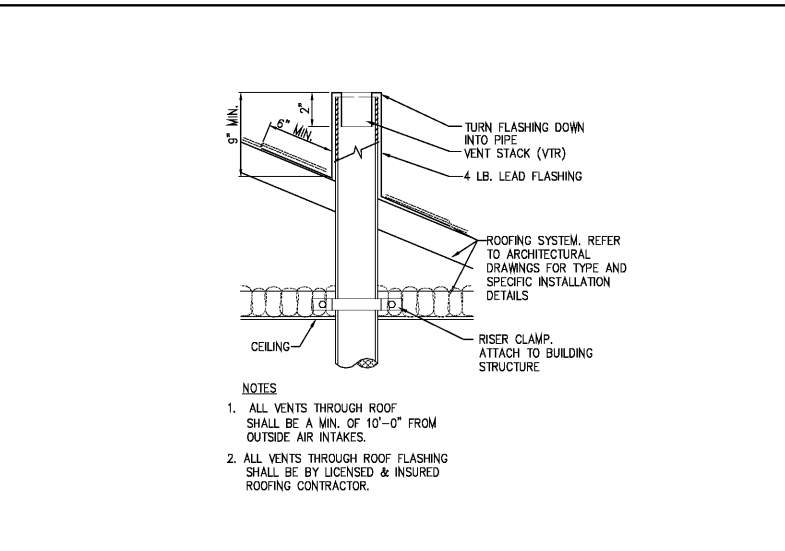
SHEET NUMBER

P-7.1

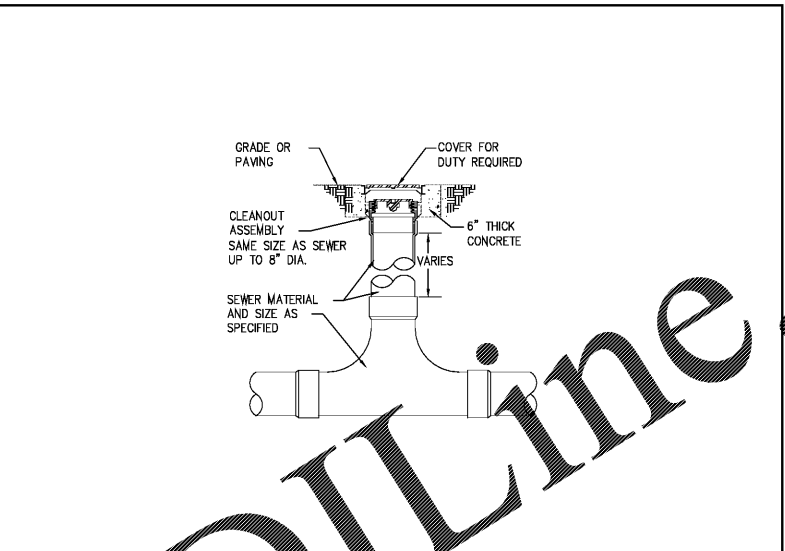
X OF X



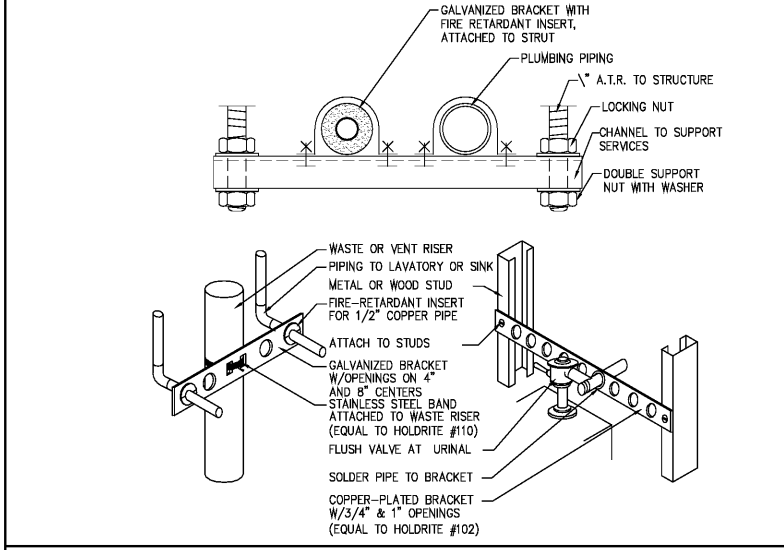
"P" TRAP WITH CLEANOUT DETAIL
 NOT TO SCALE



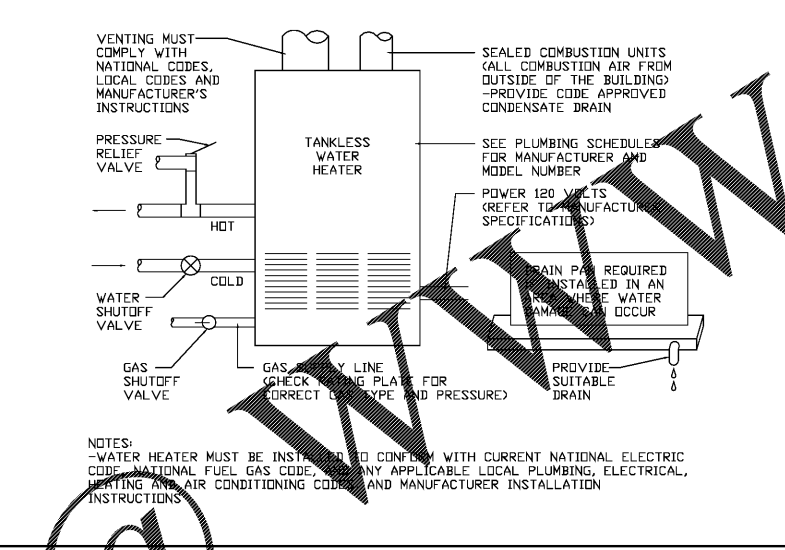
VENT THROUGH ROOF DETAIL
 NOT TO SCALE



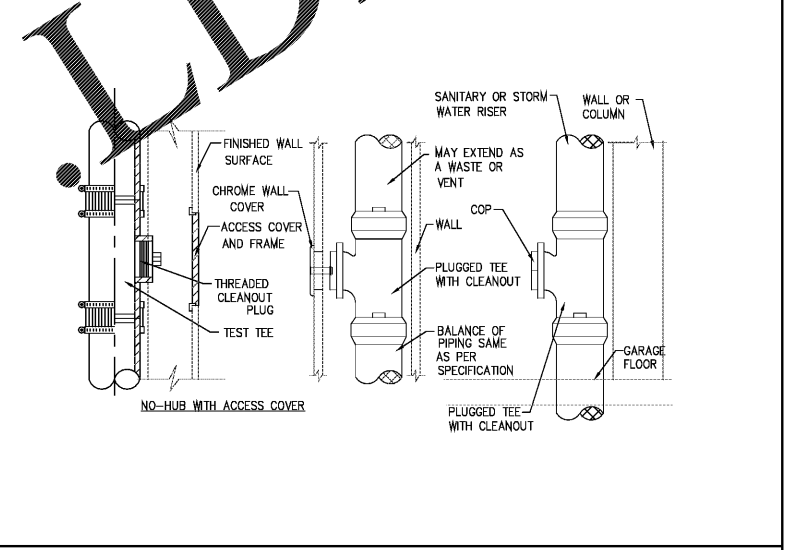
FLOOR AND YARD CLEANOUT DETAIL
 NOT TO SCALE



WATER PIPING SUPPORT DETAIL
 NOT TO SCALE



TANKLESS WATER HEATER DETAIL
 NOT TO SCALE



WALL AND RISER CLEANOUT DETAIL
 NOT TO SCALE

Order Plans

GRINER
 GRINER ENGINEERING, INC.
 1628 First Avenue North
 St. Petersburg, Florida 33713
 Phone: (727)-822-2335
 Fax: (727)-821-3361
 Certificate of Authorization #3173

Date	06-15-2017
Drawn	JL
Designed	JL
EOR	JHG
Job no.	17049