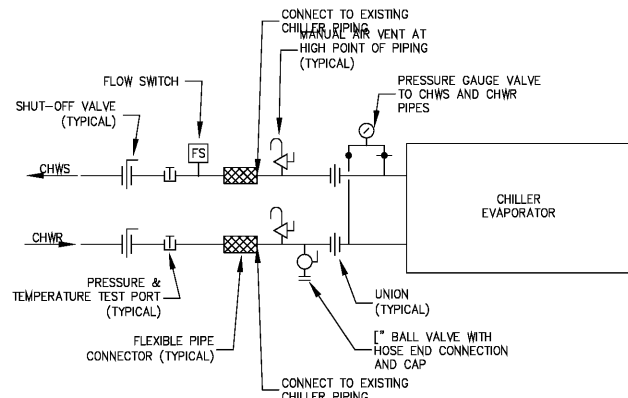


CONDENSATE DRYWELL DETAIL

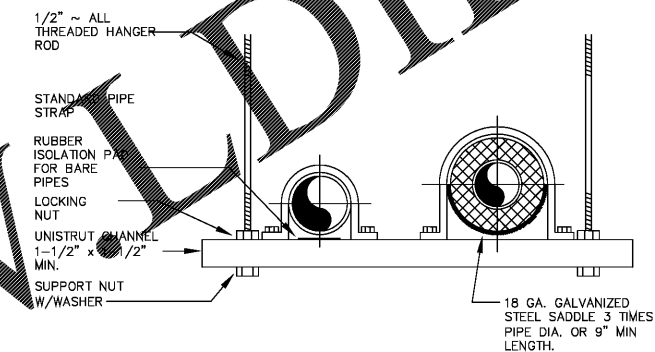
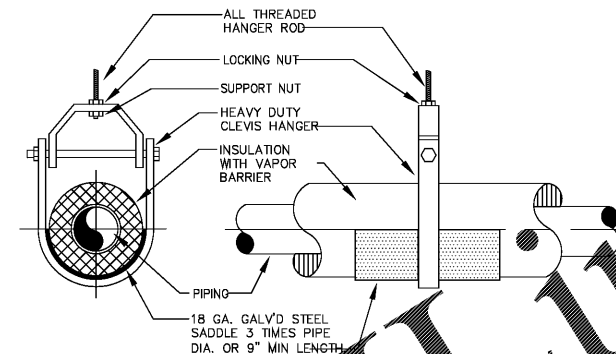
NOT TO SCALE



NOTES:
 1. PROVIDE ALL VALVES, FITTINGS, AND SPECIALTIES REQUIRED FOR COMPLETE INSTALLATION AND SERVICE OF CHILLER.
 2. SUPPORT ALL PIPING INDEPENDENTLY OF CHILLER AND CONDENSER.
 3. CONTRACTOR SHALL PROVIDE 1/4" SCALE PIPING DIAGRAM TO ENGINEER PRIOR TO COMMENCING WORK.
 4. PIPING AT CHILLER SHALL BE ARRANGED TO BE REMOVABLE.

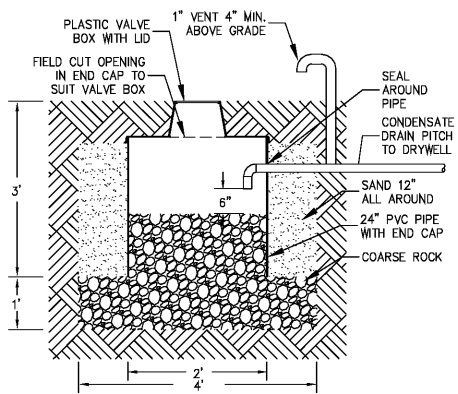
CHILLER PIPING DIAGRAM

NOT TO SCALE



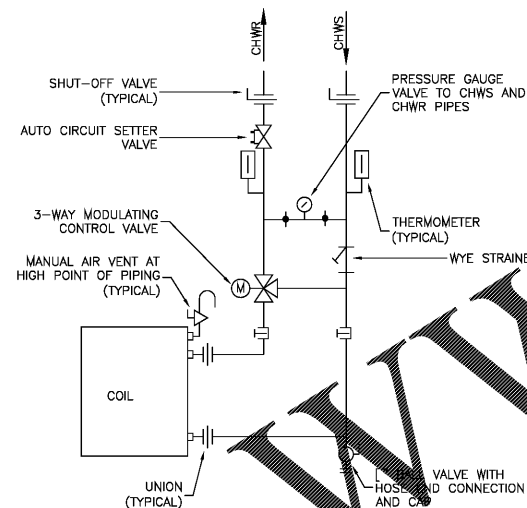
PIPE HANGERS DETAIL

NOT TO SCALE



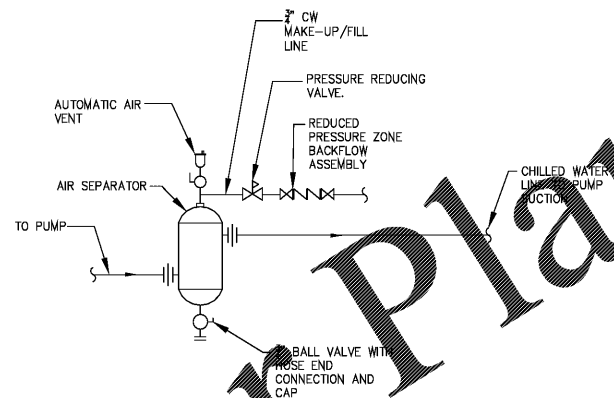
ALT CONDENSATE DRYWELL DETAIL

NOT TO SCALE



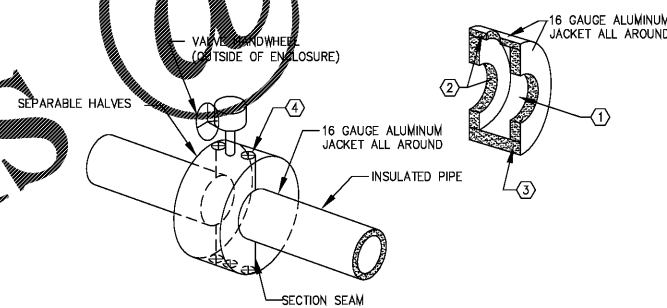
AIR HANDLER UNIT CHILLED WATER COIL PIPING DIAGRAM

NOT TO SCALE



AIR SEPARATOR DETAIL

NOT TO SCALE

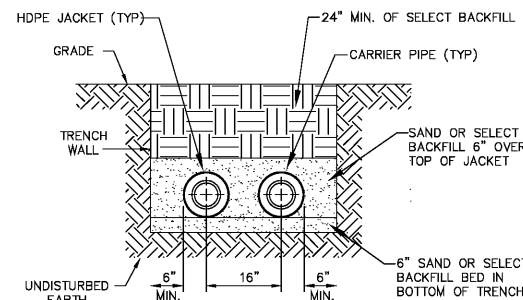


NOTES:
 VALVES, FITTING AND FLOWMETERS SHALL BE ENCASED IN ELASTOMERIC FOAM INSULATION WHICH CAN BE REMOVED AND REUSED. A BOX FRAME IS CONSTRUCTED OF LIGHT GAUGE METAL TO WHICH ELASTOMERIC INSULATION IS APPLIED. INSULATION MAY BE ADHERED DIRECTLY TO SURFACES WHICH DO NOT REQUIRE MAINTENANCE REMOVAL. CARE SHOULD BE TAKEN TO PROVIDE A TIGHT SEAL, WHERE INSULATION IS NOT ADHERED TOGETHER.

KEYED NOTES
 (1) VALVE OR FITTING SURFACES
 (2) ELASTOMERIC FOAM INSULATION CUT TO FIT METAL FRAME WITH CUT-OUTS
 (3) ADHESIVE
 (4) STAINLESS STEEL LATCH. (TYPICAL OF BOTH ENDS)

REMOVABLE / REPLACEABLE COVER FOR VALVES/FITTINGS DETAIL

NOT TO SCALE



BURIED CHILLED WATER PIPE TRENCH DETAIL

NOT TO SCALE



CITY OF TAMPA
 CONTRACT ADMINISTRATION
 DEPARTMENT
 PLANNING AND DESIGN DIVISION
 105 E. JACKSON STREET 4 NORTH
 TAMPA, FLORIDA 33602
 P: 813. 274. 8456 - F: 813. 274. 8080
 URL: WWW.TAMPAGOV.NET

James E. Jackson, Jr., AIA, NOMA
 City Architect
 Edward D. Rice, AIA
 Project Architect
 Kevin L. Henka, AIA
 Project Architect
 Thomas A. Hester, Sr., AIA, NOMA
 Project Architect
 David R. Pagitt
 Supervisor, Architectural Drafting
 Kinsey C. Tillman
 Drafting Technician
 Jerry P. Sanders
 Drafting Technician
 Byron K. Thomas, LEED AP
 Drafting Technician

MEP CONSULTANT
 GRINER ENGINEERING, INC.
 1628 1st AVENUE NORTH
 ST. PETERSBURG, FL 33713

STRUCTURAL CONSULTANT
 BILLER REINHART
 STRUCTURAL GROUP, INC.
 4014 GUNN HWY. SUITE 240
 TAMPA, FL 33713

CIVIL CONSULTANT
 B M CIVIL LLC
 12315 WYCLIFF PLACE
 TAMPA, FL 33626

LANDSCAPE CONSULTANT
 DAVID CONNER & ASSOCIATES
 1509 W. SWANN AVENUE SUITE 255
 TAMPA, FL 33606

FIRE STATION 23
 20770 TROUT CREEK DR.
 TAMPA, FL 33647

DPW FILE NUMBER

DPW NUMBER
 17-C-00037

ISSUE DATE
 07-28-2017

DRAWN BY

REVISIONS
 (1)
 (2)
 (3)

SEAL

Joseph H. Griner III, P.E., FL. 39491

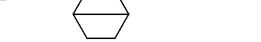
SCALE: N.T.S.

MECHANICAL DETAILS

SHEET NUMBER

M-6.2

X OF X



GRINER
 GRINER ENGINEERING, INC.
 1628 First Avenue North
 St. Petersburg, Florida 33713
 Phone: (727)-822-2335
 Fax: (727)-821-3361
 Certificate of Authorization #3173

Date	06-15-2017
Drawn	JL
Designed	JL
EOR	JHG
Job no.	17049

Order Plans @ WWW.DILine.com