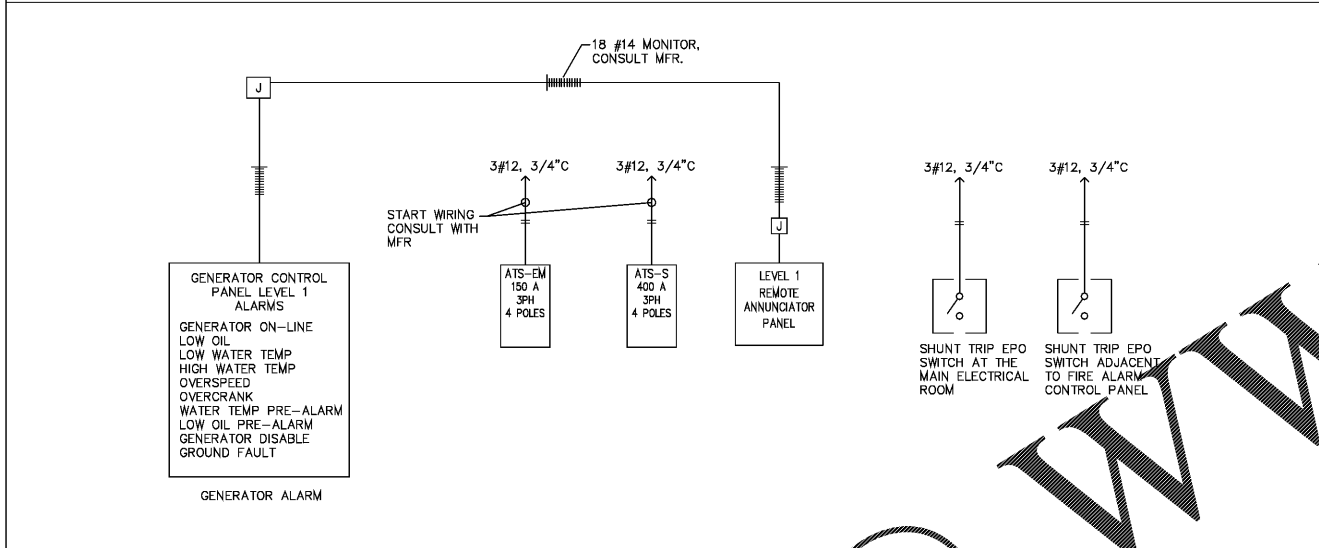


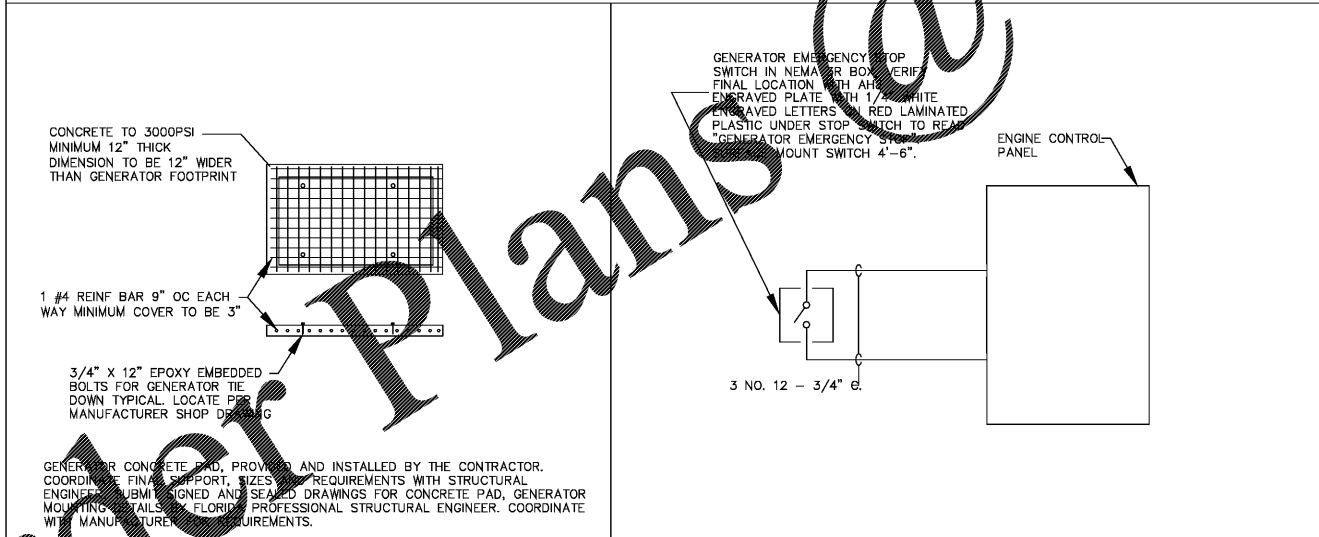
TYPICAL GENERATOR CABLE ENTRY BOX AND ENCLOSURE

NOT TO SCALE



GENERATOR ALARM RISER

NOT TO SCALE



GENERATOR CONCRETE PAD DETAIL

NOT TO SCALE

WIRING DIAGRAM FOR GENERATOR EMERGENCY STOP SWITCH

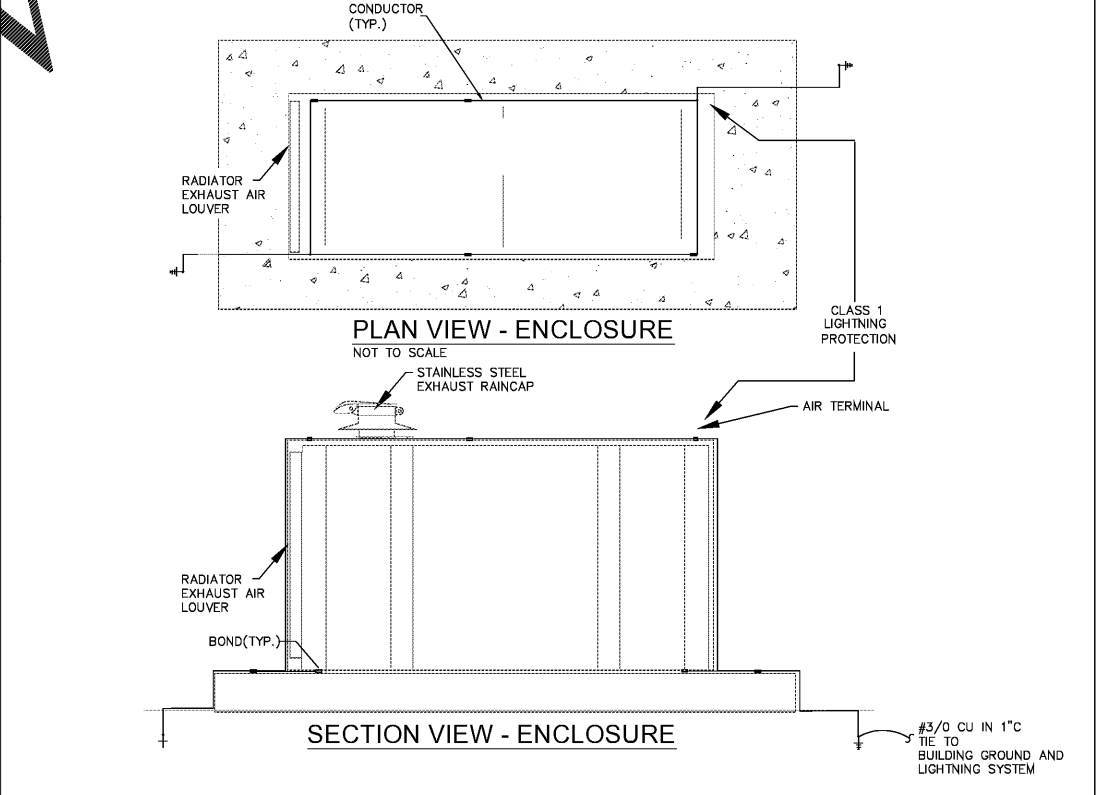
NOT TO SCALE

GENERATOR SCHEDULE	
MARK	G
SERVICE	EMERGENCY, LEVEL 1
MANUFACTURER	KOHLER
MODEL	1B0REZBX
ELECTRICAL	120/208V AC
PHASES	3PH, 4W
FREQUENCY	60Hz
CAPACITY - KW	180KW
CAPACITY - KVA	225 KVA AT NATURAL GAS
ALTERNATOR	4S13X OVERSIZED
POWER FACTOR	0.8
FUEL	NATURAL GAS/LP
MAIN BREAKER #1	500 AMPS, LSI
MAIN BREAKER #2	150 AMPS, LSI
GENERATOR ENCLOSURE	ALUMINUM
ENCLOSURE LIGHTS AND RECEPTACLES	YES (NORMAL AND EMERGENCY LIGHTING)
CRITICAL EXHAUST SILENCER	60dBA AT 12'-0"
COOLANT HEATER	120V, 1800W
BATTERY HEATER	120V
ANTI-CONDENSATION HEATER	120V
ALTERNATOR TROPICAL COATING	YES
RODENT GUARD	YES
SKID END CAPS	YES
REMOTE ANNUNCIATOR	NFPA 110 LEVEL REMOTE
REMOTE E-STOP	BREAK GLASS-TYPE
EPA CERTIFICATION	EPA-CERTIFIED (CURRENT TIER RATED)
WARRANTY	2 YEARS EXTENDED COMPREHENSIVE
COMMUNICATION	RS-232, RS-485
STANDARDS/CODE	UL2200, NFPA110 LEVEL 1, NFPA 70, FBC
NOTES:	3

1. PROVIDE GENERATOR WITH SOUND ENCLOSURE AND CRITICAL SILENCER RATED AT 150MPH.
2. REFER TO GENERATOR SPECIFICATION FOR ADDITIONAL REQUIREMENTS
3. THE GENERATOR AND AUTOMATIC TRANSFER SWITCH SHALL BE PRODUCTS OF THE SAME MANUFACTURER.

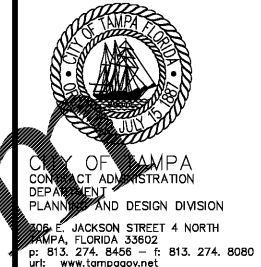
AUTOMATIC TRANSFER SWITCH SCHEDULE		
MARK	ATS-EM	ATS-S
MANUFACTURER	KOHLER	EATON
MODEL	KBP-C-V-0150	KBP-C-V-0500
ELECTRICAL	120/208V AC	120/208V AC
PHASES	3PH, 4W	3PH, 4W
FREQUENCY	60Hz	60Hz
WITHSTAND RATING, 3 CYCLE	50KA MIN	50KA MIN
POLES	4 POLES	4 POLES
NEUTRAL	SWITCHED	SWITCHED
AMPERAGE RATING	150 AMPS	500 AMPS
TRANSITION TYPE	STANDARD	STANDARD
BYPASS ISOLATION	YES	YES
ENCLOSURE TYPE	NEMA 1	NEMA 1
TVSS	INTEGRAL	INTEGRAL
WARRANTY	2 YEARS EXTENDED COMPREHENSIVE	
COMMUNICATION	RS-232, RS-485	
STANDARDS/CODE	NFPA 110 LEVEL 1, NFPA 70, FBC	
NOTES:	1-2	

1. THE AUTOMATIC TRANSFER SWITCH AND THE GENERATOR SHALL BE PRODUCTS OF THE SAME MANUFACTURER.
2. REFER TO AUTOMATIC TRANSFER SWITCH SPECIFICATION FOR ADDITIONAL REQUIREMENTS



GENERATOR LIGHTNING PROTECTION DETAIL

NOT TO SCALE



CITY OF TAMPA
CONTRACT ADMINISTRATION
DEPARTMENT
PLANNING AND DESIGN DIVISION
105 E. JACKSON STREET 4 NORTH
TAMPA, FLORIDA 33602
p: 813. 274. 8456 - f: 813. 274. 8080
url: www.tampagov.net

James E. Jackson, Jr. AIA, NOMA
City Architect
Edward D. Rice, AIA
Project Architect
Kevin L. Henka, AIA
Project Architect
Thomas A. Hester, Sr., AIA, NOMA
Project Architect
David R. Pagitt
Supervisor, Architectural Drafting
Kinsey C. Tillman
Drafting Technician
Jerry P. Sanders
Drafting Technician
Byron K. Thomas, LEED AP
Drafting Technician

MEP CONSULTANT
GRINER ENGINEERING, INC.
1628 1st AVENUE NORTH
ST. PETERSBURG, FL 33713

STRUCTURAL CONSULTANT
BILLER REINHART
STRUCTURAL GROUP, INC.
4014 GUNN HWY. SUITE 248
TAMPA, FL 33613

CIVIL CONSULTANT
B M CIVIL LLC
12315 WYCLIFF PLACE
TAMPA, FL 33626

LANDSCAPE CONSULTANT
DAVID CONNER & ASSOCIATES
1503 W. SWANN AVENUE SUITE 255
TAMPA, FL 33606

FIRE STATION 23
20770 TROUT CREEK DR.
TAMPA, FL 33647

DPW FILE NUMBER

DPW NUMBER
17-C-00037

ISSUE DATE
07-28-2017

DRAWN BY

REVISIONS

△

△

△

SEAL

Jose A Rosario, P.E. FL. 74457

SCALE: N.T.S.

GENERATOR DETAILS

SHEET NUMBER

E4.5

X OF X

GRINER

GRINER ENGINEERING, INC.
1628 First Avenue North
St. Petersburg, Florida 33713
Phone: (727)-822-2335
Fax: (727)-821-3361
Certificate of Authorization #3173

Date: 06-15-2017
Drawn: HH
Designed: HH
EOR: JAR
Job no.: 17049

GENERATOR DETAILS
SCALE: N.T.S.