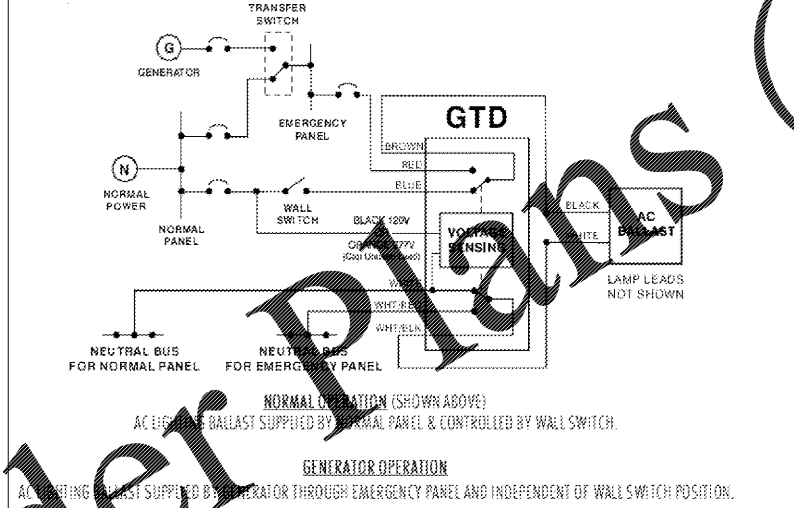


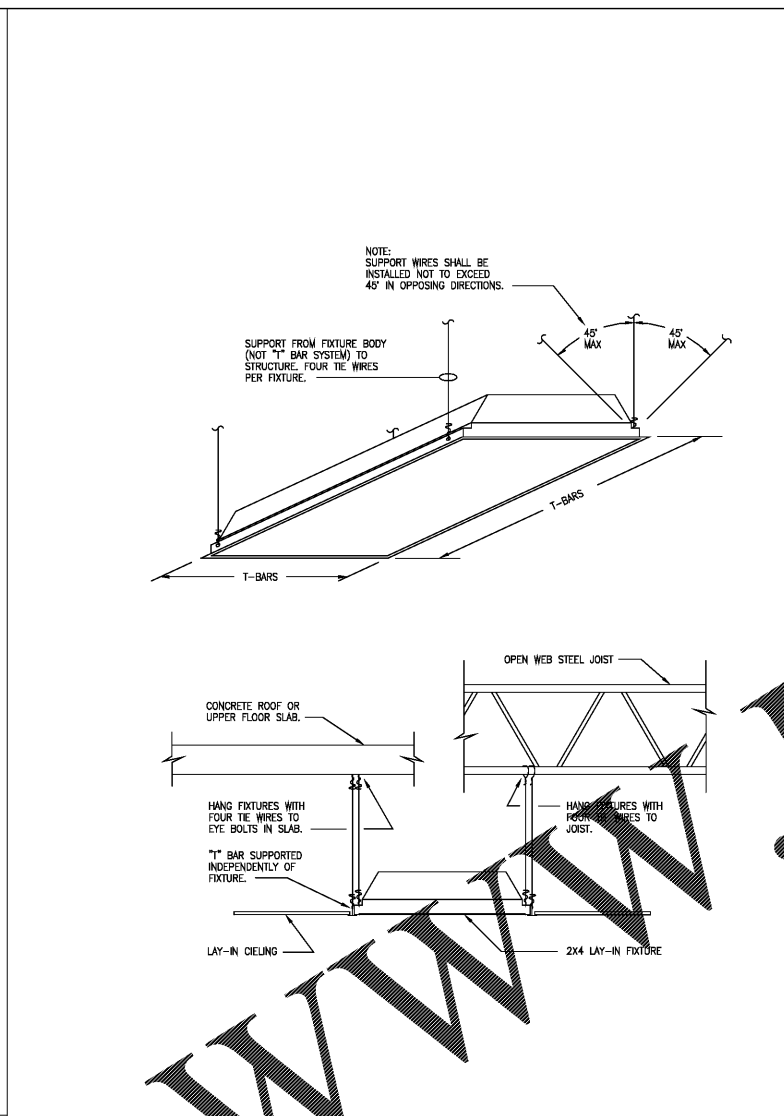
LIGHTING CONTROL DIAGRAM-CEILING MOUNTED SENSOR AND GENERATOR TRANSFER DEVICE (GTD)

NOT TO SCALE



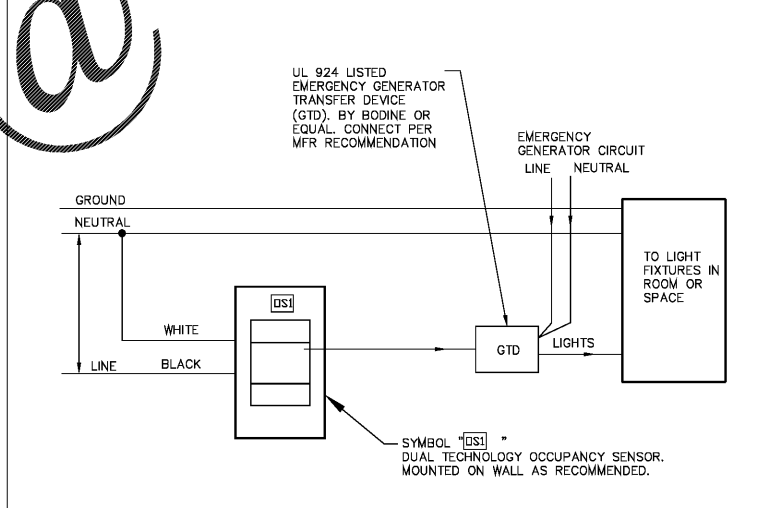
TYPICAL UL 924 LISTED GENERATOR TRANSFER DEVICE (GTD) BY BODINE WIRING DIAGRAM

NOT TO SCALE



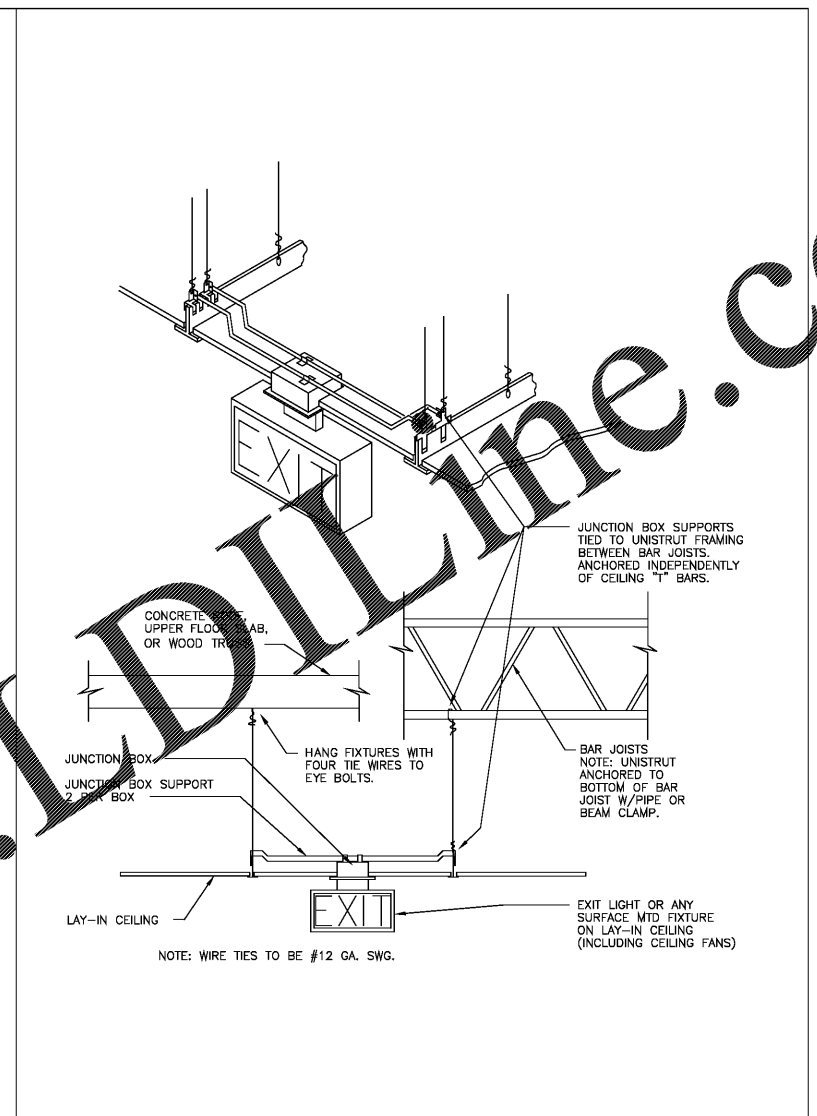
TYPICAL RECESSED LAY-IN LIGHT FIXTURE MOUNTING DETAIL

NOT TO SCALE



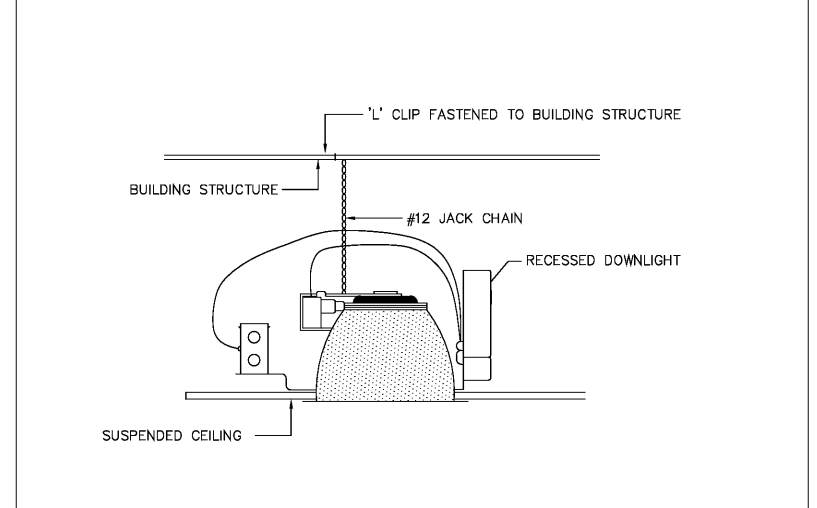
LIGHTING CONTROL DIAGRAM-LIGHTING SWITCH CONTROL AND GENERATOR TRANSFER DEVICE (GTD)

NOT TO SCALE



TYPICAL SURFACE OR LAY-IN CEILING MOUNTED EXIT SIGN

NOT TO SCALE



RECESSED MOUNTED DOWNLIGHT SUPPORT

NOT TO SCALE



STATE OF FLORIDA
 PROFESSIONAL ENGINEER
 JAMES E. JACKSON, JR.
 No. 17,845

James E. Jackson, Jr., AIA, NOMA
 City Architect
 Edward D. Rice, AIA
 Project Architect
 Kevin L. Henika, AIA
 Project Architect
 Thomas A. Hester, Sr., AIA, NOMA
 Project Architect
 David R. Pagitt
 Supervisor, Architectural Drafting
 Kinsey C. Tillman
 Drafting Technician
 Jerry P. Sanders
 Drafting Technician
 Byron K. Thomas, LEED AP
 Drafting Technician

MEP CONSULTANT
GRINER ENGINEERING, INC.
 1628 1st AVENUE NORTH
 ST. PETERSBURG, FL 33713

STRUCTURAL CONSULTANT
BILLER REINHART STRUCTURAL GROUP, INC.
 4014 GUNN HWY. SUITE 240
 TAMPA, FL 33713

CIVIL CONSULTANT
B M CIVIL LLC
 12315 WYCLIFF PLACE
 TAMPA, FL 33626

LANDSCAPE CONSULTANT
DAVID CONNER & ASSOCIATES
 1503 W. SWANN AVENUE SUITE 255
 TAMPA, FL 33606

FIRE STATION 23
 20770 TROUT CREEK DR.
 TAMPA, FL 33647

DPW FILE NUMBER

DPW NUMBER
 17-C-00037

ISSUE DATE
 07-28-2017

DRAWN BY

REVISIONS

1	
2	
3	

SEAL

Jose A Rosario, P.E. FL. 74457

SCALE: N.T.S.

ELECTRICAL DETAILS 1/4

SHEET NUMBER

E4.1

X OF X

GRINER
 GRINER ENGINEERING, INC.
 1628 First Avenue North
 St. Petersburg, Florida 33713
 Phone: (727)-822-2335
 Fax: (727)-821-3361
 Certificate of Authorization #3173

Date	06-15-2017
Drawn	HH
Designed	HH
EOR	JAR
Job no.	17049

ELECTRICAL DETAILS
 SCALE: N.T.S.

Order Plans

WWW.IDIline.com