



OFFICE OF THE
COMMISSIONER OF
CONTRACT ADMINISTRATION
PLANNING AND DESIGN DIVISION
305 E. JACKSON STREET 4 NORTH
TAMPA, FLORIDA 33602
p: 813. 274. 8456 - f: 813. 274. 8080
url: www.tampagov.net

James E. Jackson, Jr. AIA, NOMA
City Architect
Edward D. Rice, AIA
Project Architect
Kevin L. Henka, AIA
Project Architect
Thomas A. Hester, Sr., AIA, NOMA
Project Architect
David R. Pagitt
Supervisor, Architectural Drafting
Kinsey C. Tillman
Drafting Technician
Jerry P. Sanders
Drafting Technician
Byron K. Thomas, LEED AP
Drafting Technician

MEP CONSULTANT
GRINER ENGINEERING, INC.
1628 1st AVENUE NORTH
ST. PETERSBURG, FL 33713

STRUCTURAL CONSULTANT
**BILLER REINHART
STRUCTURAL GROUP, INC.**
4014 GUNN HWY. SUITE 248
TAMPA, FL 33713

CIVIL CONSULTANT
B M CIVIL LLC
12315 WYCLIFF PLACE
TAMPA, FL 33626

LANDSCAPE CONSULTANT
DAVID CONNER & ASSOCIATES
1503 W. SWANN AVENUE SUITE 255
TAMPA, FL 33606

FIRE STATION 23
20770 TROUT CREEK DR.
TAMPA, FL 33647

DPW FILE NUMBER

DPW NUMBER
17-C-00037

ISSUE DATE
07-28-2017

DRAWN BY

REVISIONS
▲
▲
▲

SEAL

Jose A Rosario, P.E. FL. 74457

SCALE: 1/8" = 1'-0"

ELECTRICAL
ROOF PLAN

SHEET NUMBER

E2.5

X OF X

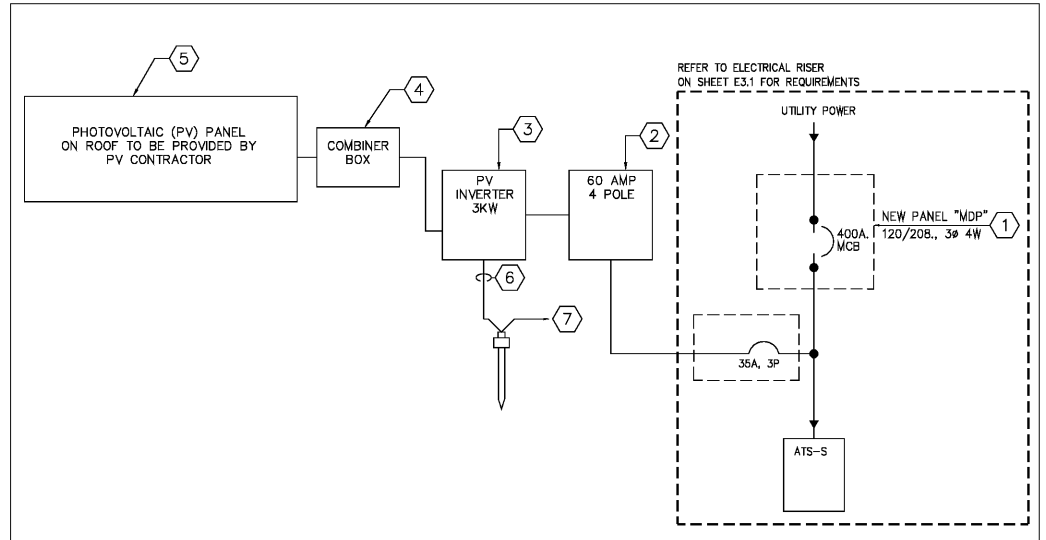


PHOTOVOLTAIC SCHEMATIC NOTES: ☒

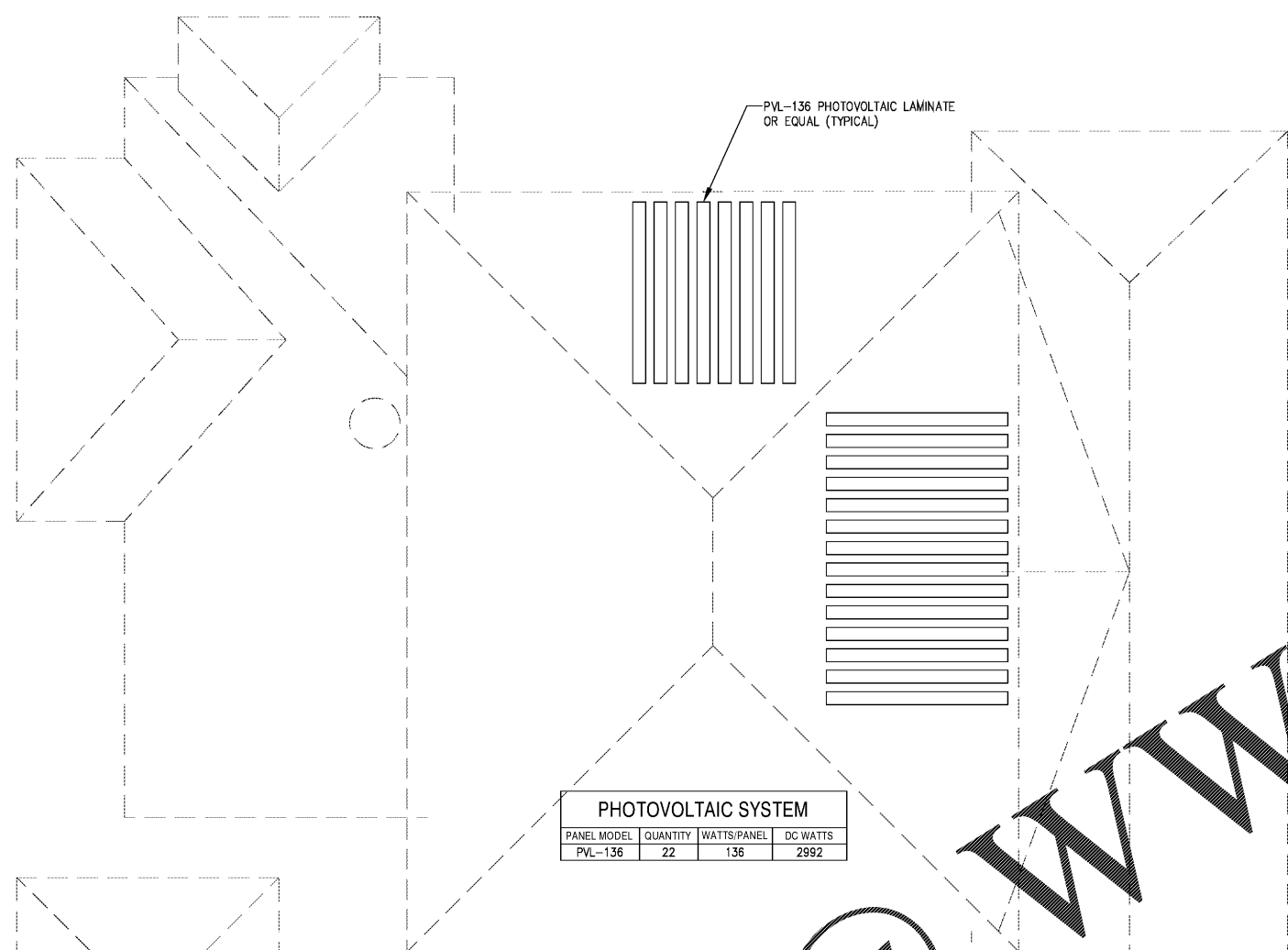
1. SQUARE "D" TYPE PANEL BOARD. FURNISH AND INSTALL ON FRONT COVER A RED NAMEPLATE WITH WHITE ENGRAVED LETTERS STATING:
PROVIDE LABEL FOR:
WARNING - ELECTRICAL SHOCK HAZARD-PANEL HAS THREE INPUT POWER SUPPLIES (UTILITY, GENERATOR AND PHOTOVOLTAIC). DISCONNECT ALL CIRCUITS BREAKERS FROM ALL POWER SOURCES BEFORE ANY WORK.
2. NEW 60A, 4 POLE, NEMA 4X DISCONNECT SWITCH. MOUNT ADJACENT TO ELECTRIC METER. REFER TO ELECTRICAL SHEET E2.2 FOR EXACT LOCATION.
DO NOT BOND AC NEUTRAL TO GND. AT THIS LOCATION.
3. UL INVERTER RATED 3,000W DC/600VDC AND UL1741/IEEE1547 LABELED.
FURNISHED "PV" INVERTER WITH INTEGRATED LOAD-BREAK RATED AC & DC DISCONNECT SWITCH.
DO NOT BOND AC NEUTRALS TO GND. AT THIS LOCATION.
4. 60A, 2 POLE NEMA 3R-COMBI-SWITCH. PROVIDE WITH PERMANENT LOCK ON DEVICE PROVIDED WITH 600V DC MIDGET FUSES (1 TOTAL) FURNISHED WITH COMBI-SWITCH.
5. TYPICAL PHOTOVOLTAIC SOLAR LAMINATE PVL SHEET PVL-136 AND PVL-68 BY JINI-SUNAR OR APPROVED EQUAL. FURNISH WITH JUNCTION BOX AND MC TYPE CONNECTION CABLES (TYPICAL) REFER TO ROOF LAYOUT FOR EXACT LOCATION AND LAYOUT. CONSULT MFR FOR REQUIREMENTS.
6. 1 NO. 2 SOLID TINNED BARE COPPER CONDUCTOR. BOND TO 3/4 INCH DIA. COPPER CLAD GROUND ROD. BONDING CONNECTIONS TO GROUND ROD SHALL BE OTHERMETAL WELDS (CADWELD) OR EQUAL APPROVED.
7. 1 #2 SOLID TINNED BARE COPPER CONDUCTOR TO COMBINE BOXES.

GENERAL PHOTOVOLTAIC NOTES:

1. ALL WORK SHALL COMPLY WITH FLORIDA BUILDING CODE, NATIONAL ELECTRICAL CODE, AND LOCAL ORDINANCE.
2. CONTRACTOR TO ENSURE THE AVAILABILITY OF THE WHOLE EQUIPMENT REQUIRED TO ACHIEVE THE INTENT OF SOLAR SYSTEM PRIOR TO START ANY WORK, IF NOT THE CONTRACTOR SHALL ASK FOR ADDENDUM REVISION TO CANCEL THE WHOLE SYSTEM.
CONTRACTOR TO SUBMIT ALL REQUIRED DOCUMENTS FOR PERMITTING AND FOR UTILITY COMPANY REVIEW.
3. P.V. EQUIPMENTS, WIRES, ETC SHALL BE SIZED PER P.V. CONTRACTOR'S EQUIPMENT MANUFACTURERS RECOMMENDATIONS. CONTRACTOR SHALL SUBMIT SHOP DRAWINGS OF THE P.V. SYSTEM WILL ALL CALCULATIONS, SIZING, EQUIPMENT, LOCATIONS FOR OWNER AND ENGINEER REVIEW AFTER APPROVING BY THE AUTHORITY HAVING JURISDICTION AND UTILITY COMPANY.
4. CONTRACTOR SHALL COORDINATE WITH POWER COMPANY FOR FINAL AND EXACT WORK/MATERIALS INSTALLATION REQUIREMENTS FOR PHOTOVOLTAIC SYSTEM.
5. CONTRACTOR SHALL PAY UTILITY FEE FOR ALL WORK PHOTOVOLTAIC WORK, AND ELECTRIC PHOTOVOLTAIC SYSTEM METERING.
6. REFER TO PHOTOVOLTAIC MANUFACTURER INSTALLATION INSTRUCTIONS, CUT SHEETS, AND REQUIREMENTS FOR EXACT EQUIPMENT LAYOUTS, INSTALLATION AND COMMISSIONING.



PHOTOVOLTAIC SCHEMATIC RISER
NOT TO SCALE



ELECTRICAL ROOF PLAN
SCALE: 1/8" = 1'-0"

GRINER
GRINER ENGINEERING, INC.
1628 First Avenue North
St. Petersburg, Florida 33713
Phone: (727)-822-2335
Fax: (727)-821-3361
Certificate of Authorization #3173

Date	06-15-2017
Drawn	HH
Designed	HH
EOR	JAR
Job no.	17049

Order Plans @ WWW.Drillline.com