



CITY OF TAMPA  
CONTRACT ADMINISTRATION  
DEPARTMENT  
PLANNING AND DESIGN DIVISION  
305 E. JACKSON STREET 4 NORTH  
TAMPA, FLORIDA 33602  
p: 813. 274. 8456 - f: 813. 274. 8080  
url: www.tampagov.net

James E. Jackson, Jr. AIA, NOMA  
City Architect  
Edward D. Rice, AIA  
Project Architect  
Kevin L. Henika, AIA  
Project Architect  
Thomas A. Hester, Sr., AIA, NOMA  
Project Architect  
David R. Pagitt  
Supervisor, Architectural Drafting  
Kinsey C. Tillman  
Drafting Technician  
Jerry P. Sanders  
Drafting Technician  
Byron K. Thomas, LEED AP  
Drafting Technician

MEP CONSULTANT  
**GRINER ENGINEERING, INC.**  
1628 1st. AVENUE NORTH  
ST. PETERSBURG, FL 33713

STRUCTURAL CONSULTANT  
**BILLER REINHART  
STRUCTURAL GROUP, INC.**  
4014 GUNN HWY. SUITE 240  
TAMPA, FL 33713

CIVIL CONSULTANT  
**5 M CIVIL LLC**  
12315 WYCLIFF PLACE  
TAMPA, FL 33626

LANDSCAPE CONSULTANT  
**DAVID CONNER & ASSOCIATES**  
1503 W. SWANN AVENUE SUITE 255  
TAMPA, FL 33606

FIRE STATION 23  
20770 TROUT CREEK DR.  
TAMPA, FL 33647

DPW FILE NUMBER

DPW NUMBER  
17-C-00037

ISSUE DATE  
07-28-2017

DRAWN BY

REVISIONS  
▲  
▲  
▲

SEAL

Jose A Rosario, P.E. FL. 74457

SCALE: 1/8" = 1'-0"

ELECTRICAL  
HVAC PLAN

SHEET NUMBER

E2.4

X OF X



**ELECTRICAL HVAC KEY NOTES:**

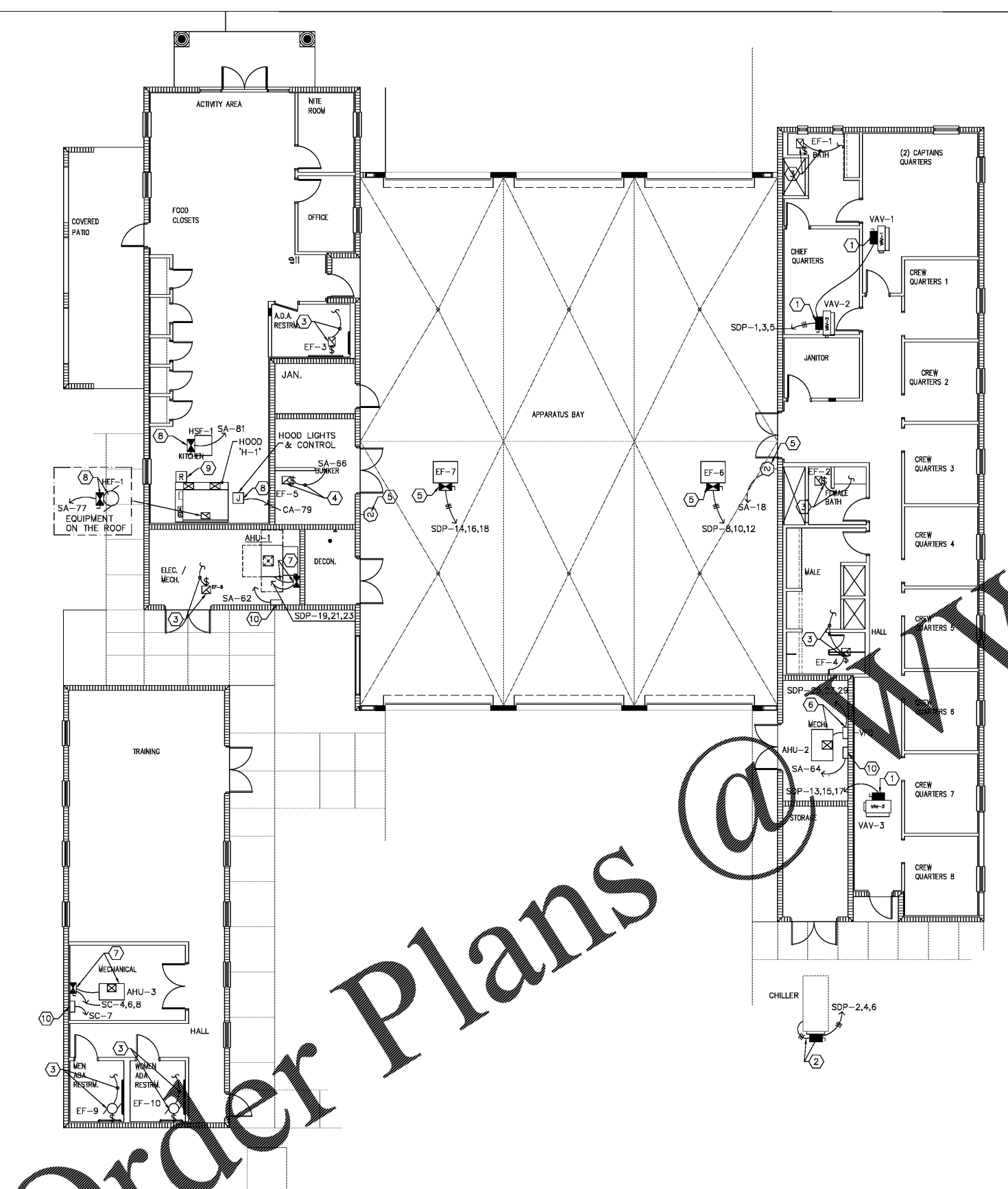
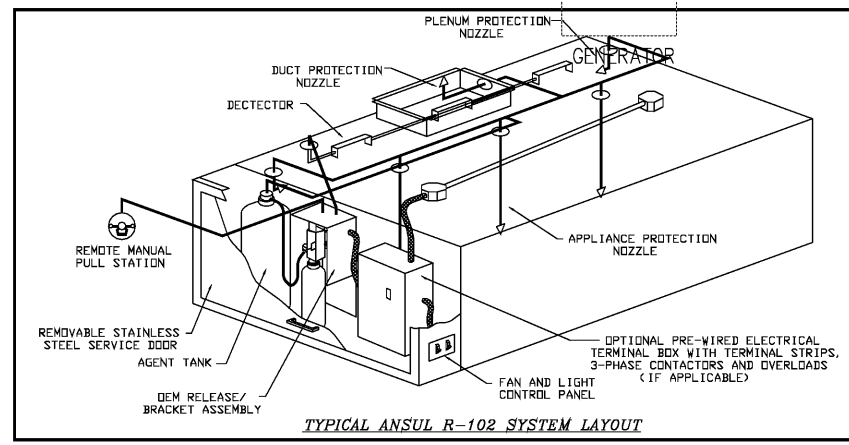
1. PROVIDE FINAL CONNECTION TO HVAC VARIABLE AIR VOLUME (VAV) AND FACTORY INSTALLED FUSED DISCONNECT. REFER TO ELECTRICAL HVAC SCHEDULE. COORDINATE ALL REQUIREMENTS WITH MECHANICAL CONTRACTOR AND DRAWINGS.
2. PROVIDE FUSED DISCONNECT AND FINAL CONNECTION TO HVAC CHILLER UNIT (CH-1). PROVIDE UNISTRUT SUPPORT FOR DISCONNECT. REFER TO ELECTRICAL HVAC SCHEDULE. COORDINATE ALL REQUIREMENTS WITH MECHANICAL CONTRACTOR AND DRAWINGS.
3. PROVIDE FINAL CONNECTION TO EXHAUST FAN. PROVIDE RELAY AND INTERLOCK EXHAUST FAN WITH LIGHT SWITCH SERVING THIS ROOM. REFER TO ELECTRICAL HVAC SCHEDULE. COORDINATE ALL REQUIREMENTS WITH MECHANICAL CONTRACTOR AND DRAWINGS.
4. PROVIDE FINAL CONNECTION TO EXHAUST FAN. EXHAUST FAN SHALL RUN CONTINUOUSLY. REFER TO ELECTRICAL HVAC SCHEDULE. COORDINATE ALL REQUIREMENTS WITH MECHANICAL CONTRACTOR AND DRAWINGS.
5. PROVIDE FINAL CONNECTION TO EXHAUST FAN. PROVIDE RELAYS AND INTERLOCK EXHAUST FANS WITH CARBON MONOXIDE SENSORS IN APPARATUS BAY. REFER TO ELECTRICAL HVAC SCHEDULE. COORDINATE ALL REQUIREMENTS WITH MECHANICAL CONTRACTOR AND DRAWINGS.
6. PROVIDE FINAL CONNECTION TO VFD AIR HANDLING UNIT. REFER TO ELECTRICAL HVAC SCHEDULE. COORDINATE ALL REQUIREMENTS WITH MECHANICAL CONTRACTOR AND DRAWINGS.
7. PROVIDE DISCONNECT, STARTER AND FINAL CONNECTION TO AIR HANDLING UNIT. REFER TO ELECTRICAL HVAC SCHEDULE. COORDINATE ALL REQUIREMENTS WITH MECHANICAL CONTRACTOR AND DRAWINGS.
8. PROVIDE FINAL CONNECTION TO KITCHEN HOOD CABINET, CONTROL SWITCH AND FAN. REFER TO CONTROL MFR PANEL DIAGRAM AND HOOD FAN AND DISC. SWITCHES SCHEDULE. INTERLOCK KITCHEN HOOD, FANS AND WITH FIRE ALARM SYSTEM. CONFIRM FINAL REQUIREMENTS WITH KITCHEN HOOD INSTALLER, AND MECHANICAL CONTRACTOR.  
  
PROVIDE RELAY TO SHUT DOWN GAS SOLENOID. FIELD VERIFY EXACT GAS SOLENOID LOCATION. INTERLOCK WITH KITCHEN HOOD AND FIRE ALARM SYSTEM.
10. PROVIDE FINAL CONNECTION TO HVAC CONTROL. PROVIDE CIRCUIT BREAKER ON THE PANEL WITH PERMANENT LOCK OFF DEVICE

**HOOD GENERAL NOTES:**

1. PROVIDE FINAL CONNECTION TO KITCHEN HOOD CABINET, CONTROL SWITCH AND FAN. REFER TO CONTROL MFR PANEL DIAGRAM AND HOOD FAN AND DISC. SWITCHES SCHEDULE. INTERLOCK KITCHEN HOOD WITH FIRE ALARM SYSTEM.
2. PROVIDE RELAY TO SHUT DOWN GAS SOLENOID. FIELD VERIFY EXACT GAS SOLENOID LOCATION. INTERLOCK WITH KITCHEN HOOD AND FIRE ALARM SYSTEM.
3. SHUNT TRIP NOTES: EXTEND #12 AWG SHUNT TRIP BREAKERS FROM DRY CONTACT (N.O.) ULTRA CONTROL CIRCUIT FOR POWER SOURCE AND EXTEND 3/16" TO SHUT DOWN GAS SOLENOID.
4. THIS DRAWING SHALL BE USED AS AN INSTRUMENT OF REFERENCE BY ALL TRADES AND CONTRACTORS. ALL TRADES SHALL VERIFY THE INFORMATION AS SHOWN ON THESE PLANS.  
  
ALL NATIONAL, STATE, AND LOCAL CODES SHALL APPLY.  
  
ALL NECESSARY ELECTRICAL DISCONNECTS, SHUNT TRIP BREAKERS, AND STARTERS TO BE FURNISHED AND INSTALLED SPEC. UNLESS PROVIDED AS A STANDARD COMPONENT OF THE EQUIPMENT BY THE MANUFACTURER.
7. ALL ELECTRICAL ITEMS SUPPLIED UNDER EXHAUST HOOD- TO SHUT DOWN WITH SHUNT TRIP TIED IN TO HOOD SYSTEM.
8. KITCHEN HOOD SHALL BE WIRED IN STRICT CONFORMANCE WITH THE MANUFACTURER'S INSTRUCTIONS AND/OR SHOP DRAWINGS.
9. STARTERS, RELAYS, HEATERS, AND SWITCHES REQUIRED FOR EXHAUST FAN ARE TO BE PROVIDED AND INSTALLED BY THE ELECTRICAL CONTRACTOR.

**KITCHEN HOOD SEQUENCE OF OPERATION:**

NORMAL: SUPPLY AND EXHAUST FANS ARE OPERATIONAL.  
  
FIRE ALARM: UPON ACTIVATION OF HOOD FIRE SUPPRESSION SYSTEM, THE SUPPLY FAN SHALL BE "OFF" AND THE EXHAUST FAN SHALL BE "OFF".



ELECTRICAL HVAC PLAN  
SCALE: 1/8" = 1'-0"

**GRINER**  
GRINER ENGINEERING, INC.  
1628 First Avenue North  
St. Petersburg, Florida 33713  
Phone: (727)-822-2335  
Fax: (727)-821-3361  
Certificate of Authorization #3173

Date	06-15-2017
Drawn	HH
Designed	HH
EOR	JAR
Job no.	17049

Order Plans