



CITY OF TAMPA
 CONTRACT ADMINISTRATION
 PLANNING AND DESIGN DIVISION
 805 E. JACKSON STREET 4 NORTH
 TAMPA, FLORIDA 33602
 P: 813.274.8456 - F: 813.274.8080
 WWW.TAMPA.GOV

James E. Jackson, Jr. AIA, NOMA
 City Architect
 Edward D. Rice, AIA
 Project Architect
 Kevin L. Hurdell, AIA
 Project Architect
 Thomas A. Hester, Sr., AIA, NOMA
 Project Architect

Kinsey C. Tillman
 Drafting Technician
 Jerry P. Sanders
 Drafting Technician
 Byron K. Thomas, LEED AP
 Drafting Technician

MEP CONSULTANT
 GRINER ENGINEERING, INC.
 1628 1st. AVENUE NORTH
 ST. PETERSBURG, FL 33713

STRUCTURAL CONSULTANT
 BILLER REINHART
 STRUCTURAL GROUP, INC.
 4014 GUNN HWY. SUITE 240
 TAMPA, FL 33713

CIVIL CONSULTANT
 5 M CIVIL LLC
 12315 WYCLIFF PLACE
 TAMPA, FL 33626

LANDSCAPE CONSULTANT
 DAVID CONNER & ASSOCIATES
 1509 W. SUANN AVENUE, SUITE 255
 TAMPA, FL 33606

FIRE STATION 23
 20770 TROUT CREEK DR.
 TAMPA, FL 33607

DPW FILE NUMBER

DPW NUMBER
 17-C-00037

ISSUE DATE
 JULY 28, 2017

DRAWN BY
 KINSEY TILLMAN

REVISIONS
 △
 △
 △

SEAL

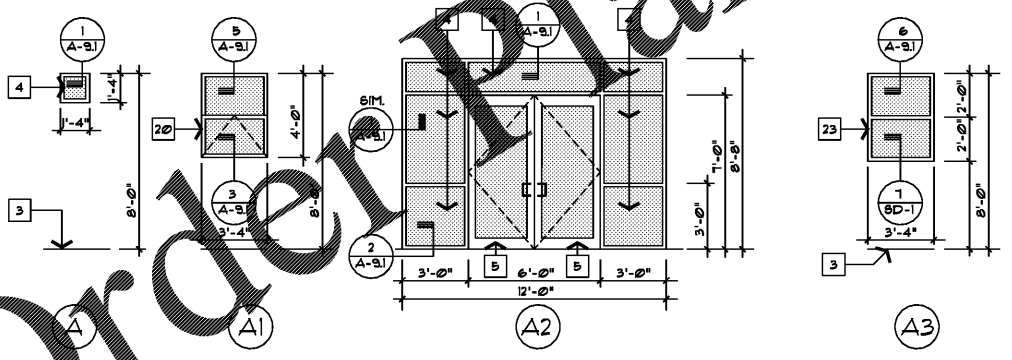
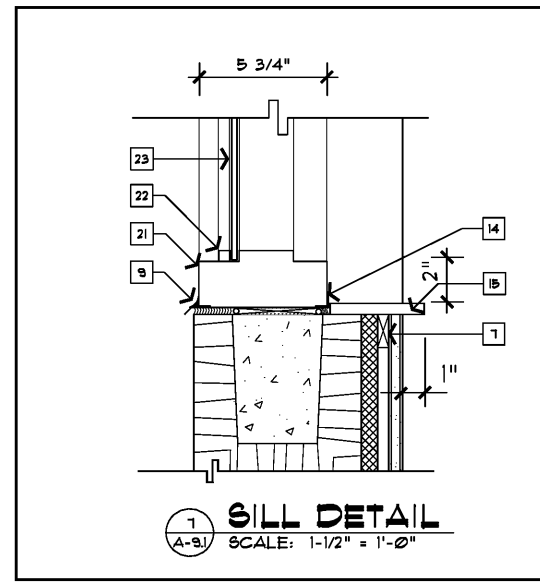
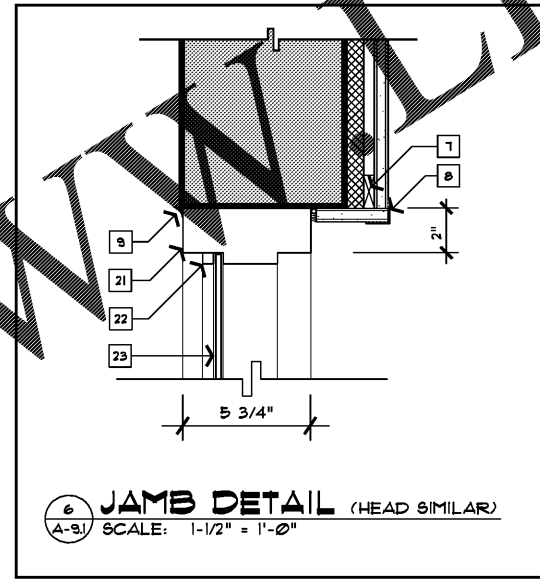
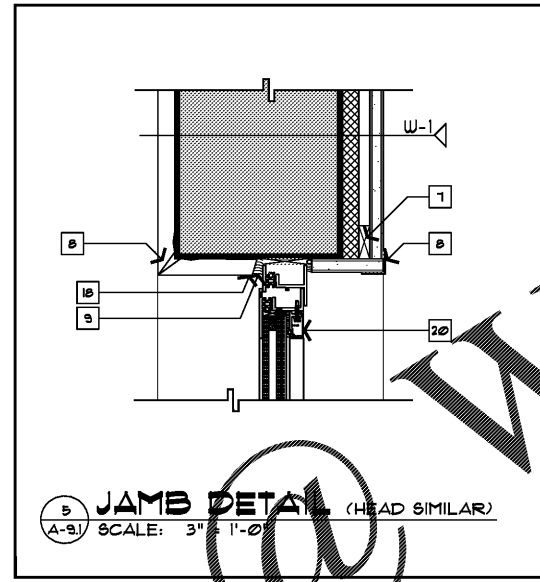
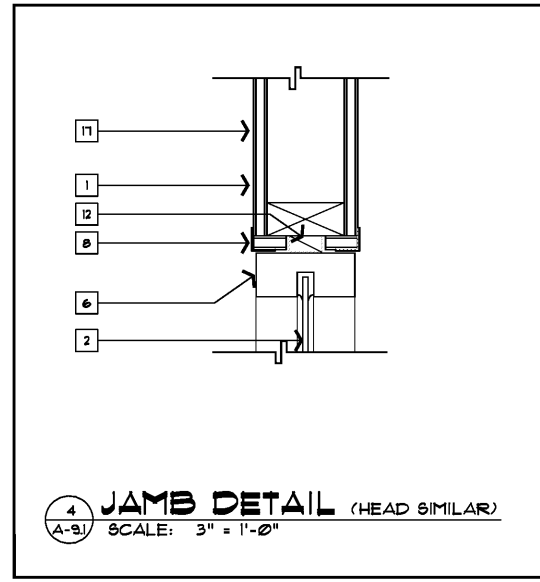
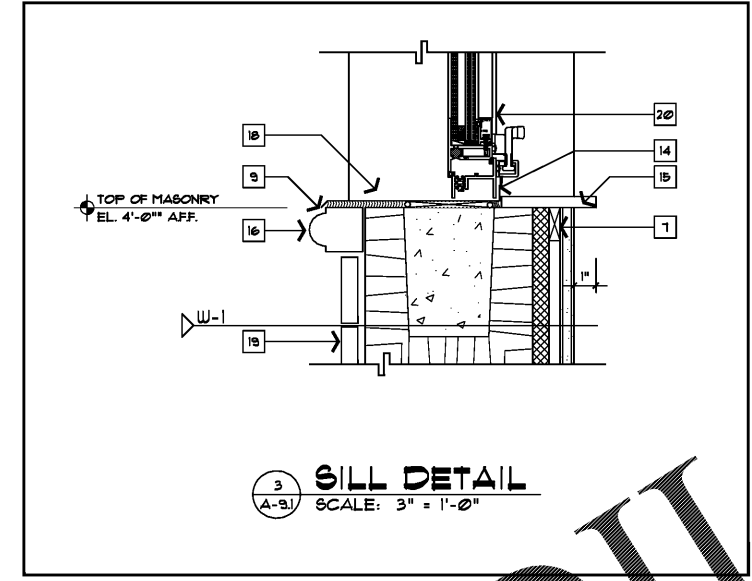
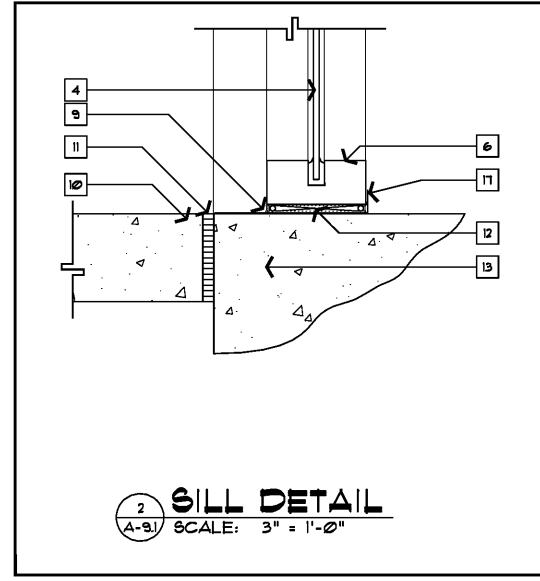
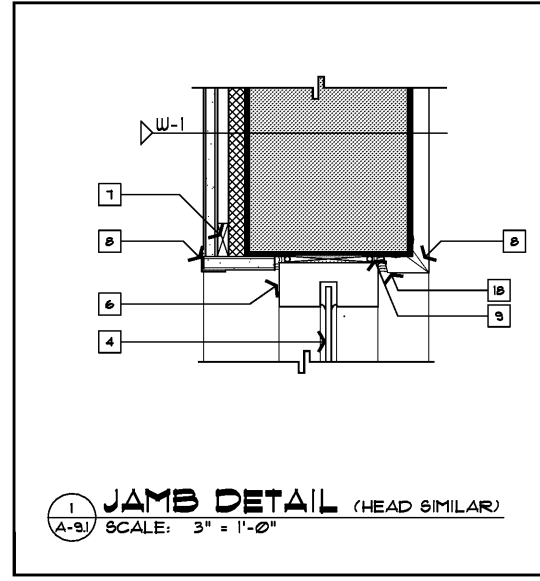
SCALE: VARIES

SHEET NUMBER
 A-9.1

X OF X

GENERAL NOTES
 1. ALL WINDOWS HAVE IMPACT RATED GLASS AND FRAME

KEY NOTES
 1. 5/8" GLUB ON 3-5/8" METAL STUDS
 2. 1/4" CLEAR TEMPERED GLASS
 3. FINISH FLOOR
 4. 1-5/16" TINTED TEMPERED GLASS
 5. MEDIUM STYLE STOREFRONT DOOR WITH 1-5/16" TEMPERED GLASS
 6. ALUMINUM STOREFRONT
 7. P. T. 1 x 2 BLOCKING AT ALL CORNERS, TYP.
 8. CORNER BEAD
 9. CAULK CONTINUOUS
 10. CONC. SIDEWALK - SEE PLAN FOR LOCATION AND PATTERN
 11. EXPANSION JOINT, FILL WITH EXPANSION JOINT MATERIAL
 12. SHIM (AS REQUIRED)
 13. NOT USED
 14. ALUMINUM BREAK-METAL FLASHING TO MATCH STOREFRONT
 15. MARBLE STOOL
 16. 2" x 2" PRECAST WANSCOT W/ BULLNOSE FACE SET IN FULL BED OF MORTAR
 17. SEE PLAN FOR PARTITION TYPE
 18. "J" STOP
 19. THIN SET STONE VENEER
 20. FIXED TOP PROJECTED BOTTOM ALUM. WINDOW WITH 1-5/16" GLASS
 21. HOLLOW METAL FRAME PAINTED
 22. CONTINUOUS STOP, MECHANICALLY FASTENED TO METAL FRAME
 23. 1/4" WIRE GLASS (CLEAR)



STOREFRONT / WINDOW TYPES

K:\COMPILING & Design Division\Yancy\James Jackson\PROJECT\FIRE STATION 23 - 17-C-00037\Fire Station 23 - 17-C-00037.dwg, 21-A-9.1, 20170728 10:57:55 AM, Author: PST, Impenetrable

Order Plans @ WWW.AEDILING.COM