

GENERAL NOTES

1. PROVIDE 10 DOWNSPOUT LOCATIONS WITH SPLASH BLOCKS. ALL DOWNSPOUTS RETURN AGAINST WALL SURFACE. FIELD COORDINATE ALL LOCATIONS

KEY NOTES

1. PRE-ENGINEERED WOOD TRUSSES
2. 5" OGEE GUTTER WITH DOWNSPOUTS.
3. ALUM. SPLASH GUARDS AT VALLEY (TYP.)
4. JOGGLE CLEAT CONTINUOUS
5. VALLEY TRIM
6. 1-1/2" HIGH SEAM METAL ROOF (TYP.)
7. ZEE CLOSURE TRIM (TYP.)
8. RIDGE CAP.
9. 60 MIL. GRACE ICE AND WATER SHIELD
10. 1/2" EXTERIOR GRADE PLYWOOD (TYP.)
11. MECHANICAL FANS ON PREMANUFACTURED CURBS. - SEE MECHANICAL DUGS. FLASHING PER MFG. INSTRUCTIONS
12. ALUMINUM CEMENT PLASTER SNAPLOCK COUNTER-FLASH TO MATCH STANDING SEAM ROOF.
13. 3/4" P.T. PLYWOOD BASEBOARD.
14. STUCCO OR THIN STONE
15. 1/4"x1-1/4" DRIVE FIN AT 16" O.C.
16. MTL. DRIP TO MATCH MTL. ROOF
17. ROOF JACK (DECK TILE)
18. 1-1/2" STANDING BEAM BEYOND
19. VENT STACK - SEE DETAIL D / A-31
20. 1-1/2" STANDING SEAM METAL ROOF ON 60 MIL. SELF-ADHESIVE MEMBRANE, ON 1/2" EXTERIOR GRADE PLYWOOD, ON PRE-ENGINEERED WOOD TRUSSES
21. 3/4" CEMENT PLASTER FINISH
22. PHOTOVOLTAIC SYSTEM SEE ELECTRICAL DRAWINGS. COORDINATE WITH METAL ROOFING REQUIREMENTS.
23. PHOTOVOLTAIC SYSTEM FOR PLUMBING SEE PLUMBING DRAWINGS.
24. CRICKET CONSTRUCTED FROM SHT. MTL.
25. RANGE HOOD EXHAUST DUCT - SEE DETAIL E/A-31 AND MECH. DUGS.
26. 1 HR. FIRE RATED DUCT CHASE (UL DES: U469)
27. P.T. WOOD BLOCKING
28. ROOF EXHAUST FAN - SEE MECH. DUGS.
29. PAINT EXHAUST FAN, CURB EXTENSION AND ROOF CURB TO MATCH COLOR OF MTL. ROOF COLOR TO BE SELECTED BY ARCHITECT - PROVIDE INDUSTRIAL COATING, TWO COMPONENT LOW VOC, ALIPHATIC POLYURETHANE RESIN FINISH
30. 3/4" CEMENT PLASTER SOFFIT ON PAPER BACKED RIBLATH
31. P.T. 2 x WOOD TRIM, PAINTED
32. P.T. 2 x 4 WOOD SUB-FASCIA
33. P.T. 2 x 6 WOOD FASCIA COMPONENT,
34. P.T. 2 x 8 WOOD FASCIA COMPONENT.
35. P.T. 2 x 4 FRAMING, MAX. 24" O.C.
36. PRECAST CONCRETE LINTEL - SEE STRUCTURAL DUGS.
37. C.I.P. CONCRETE TIE BEAM - SEE STRUCTURAL DUGS.
38. ADD P.T. 2 x WOOD BLOCKING TO FASCIA FOR METAL SUPPORT
39. 5" OGEE GUTTER W/ DOWNSPOUT ONTO ROOF
40. PITCH BREAK TRIM - PROVIDE CLOSURE METAL AT ENDS FOR FASCIA TRANSITION
41. METAL LOUVER - ALIGN WITH RIGHT SIDE OF DOOR AND IN WALL LOCATION. FIELD VERIFY
42. ALUM. BREAKMETAL FLASHING TO MATCH LOUVER
43. PROVIDE ALUM. BREAK METAL FASCIA COVERING. ALUM. SHALL BE THE SAME THICKNESS AS THE METAL ROOFING. CONTINUOUS. COLOR TO BE SELECTED FROM FULL RANGE OF COLORS.
44. LOUVER, SEE DETAIL C SHEET A-6.3 COORDINATE WITH MECHANICAL DUGS.

MEP CONSULTANT
GRINER ENGINEERING, INC.
1678 1st AVENUE NORTH
ST. PETERSBURG, FL 33713

STRUCTURAL CONSULTANT
BILLER REINHART
STRUCTURAL GROUP, INC.
4014 GUNN HWY. SUITE 248
TAMPA, FL 33713

CIVIL CONSULTANT
5 M CIVIL LLC
12315 WYCLIFF PLACE
TAMPA, FL 33626

LANDSCAPE CONSULTANT
DAVID CONNER & ASSOCIATES
1509 W. SWANN AVENUE, SUITE 255
TAMPA, FL 33606

FIRE STATION 23
20770 TROUT CREEK DR.
TAMPA, FL 33627

DPW FILE NUMBER

DPW NUMBER
17-C-00037

ISSUE DATE
JULY 28, 2017

DRAWN BY
KINBEY TILLMAN

REVISIONS

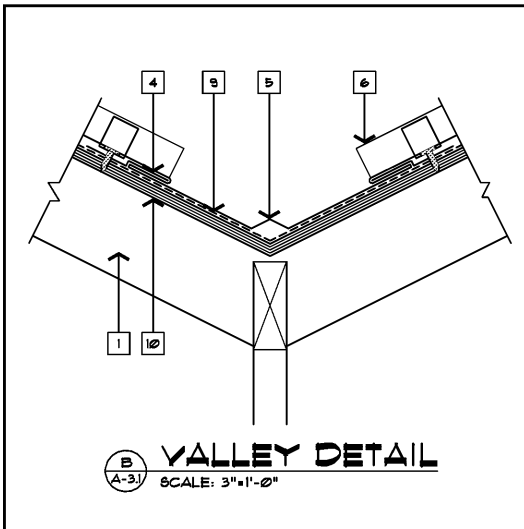
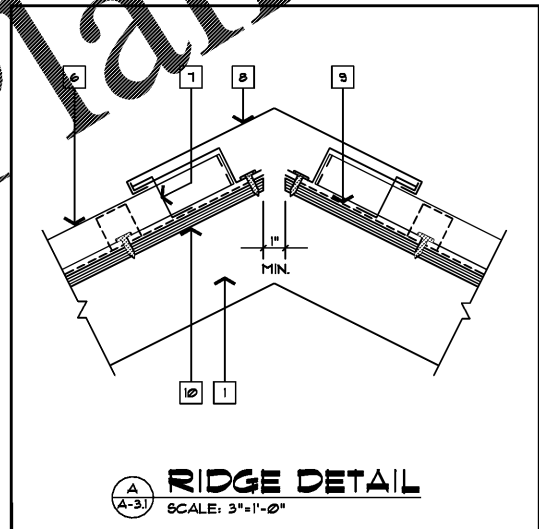
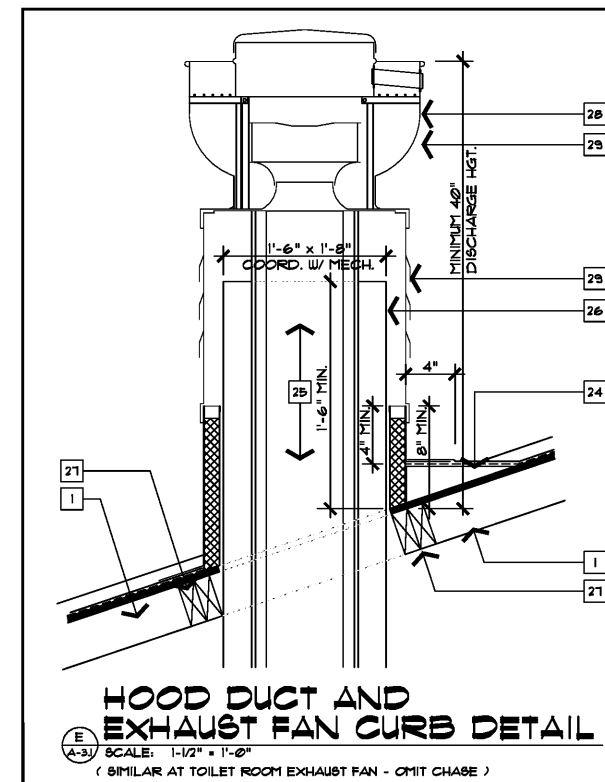
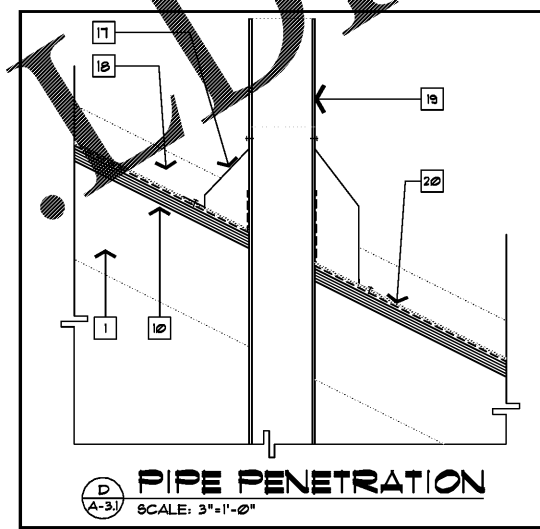
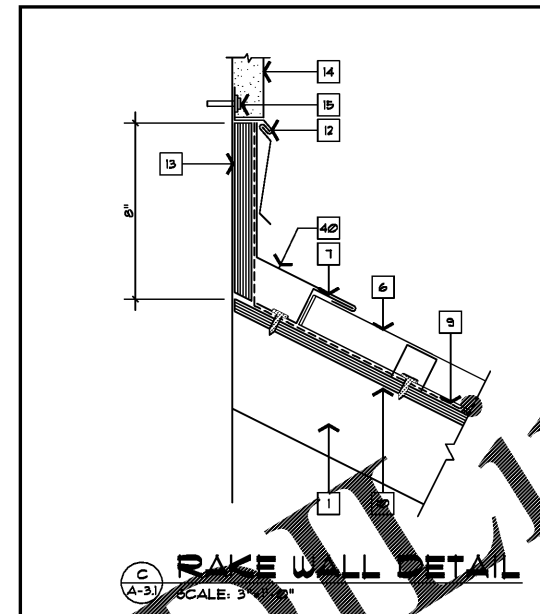
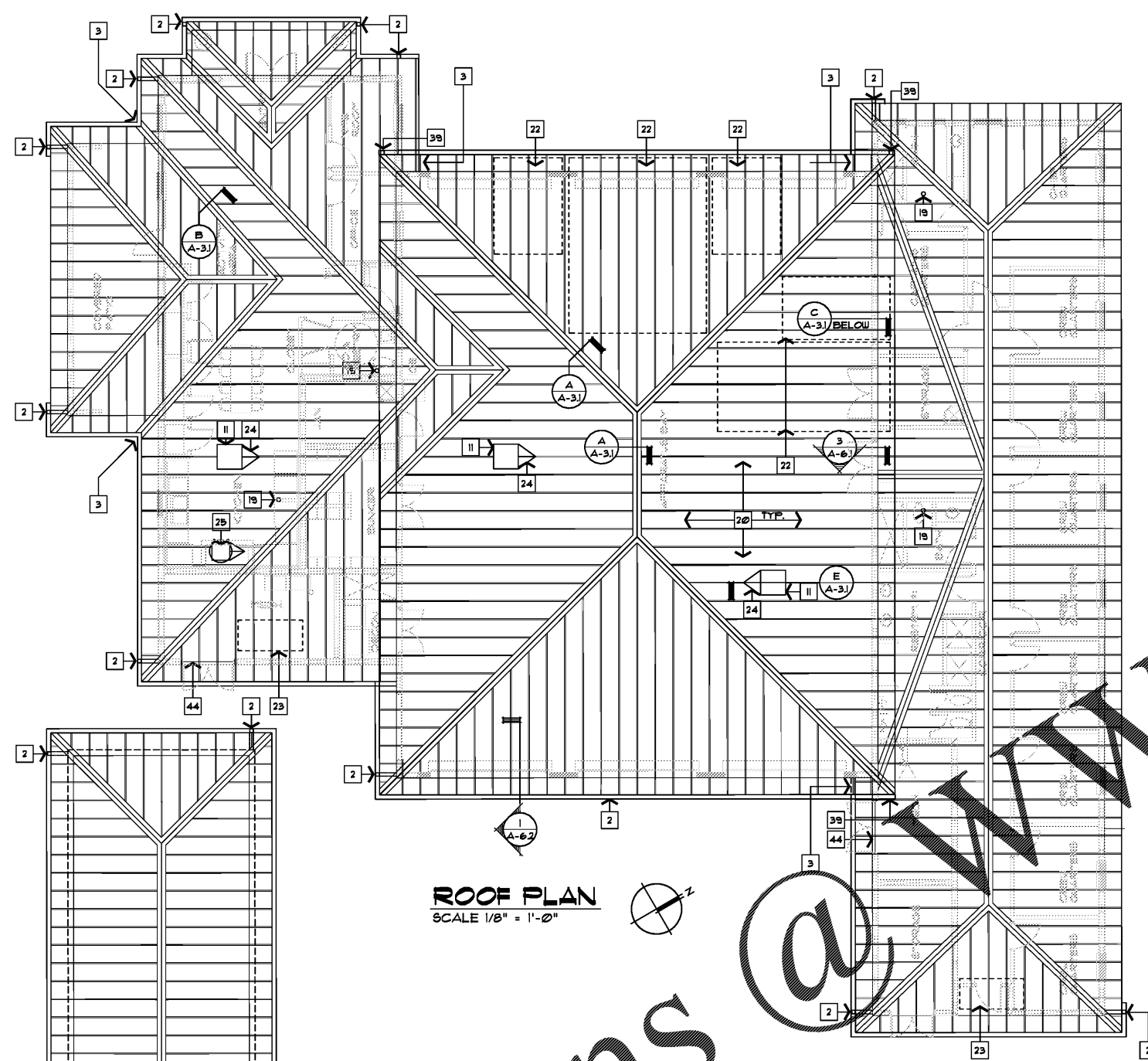
△	
△	
△	

SCALE: VARIES

ROOF PLAN / DETAILS

SHEET NUMBER
A-3.1

X OF X



KCP/Planning & Design Division/James Kinbey/TITLE STATION 23 - 17-C-00037/Center: docx; file: 21-A-3.1.rvt; date: 07/2017 8:48:46 AM; Author: PDP (Bosporini).jpc

Order Plans

WWW.LDMLINE.COM