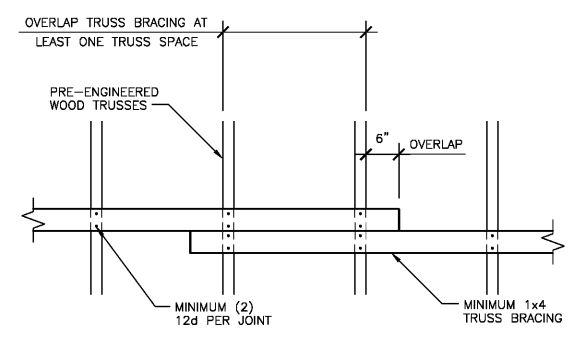
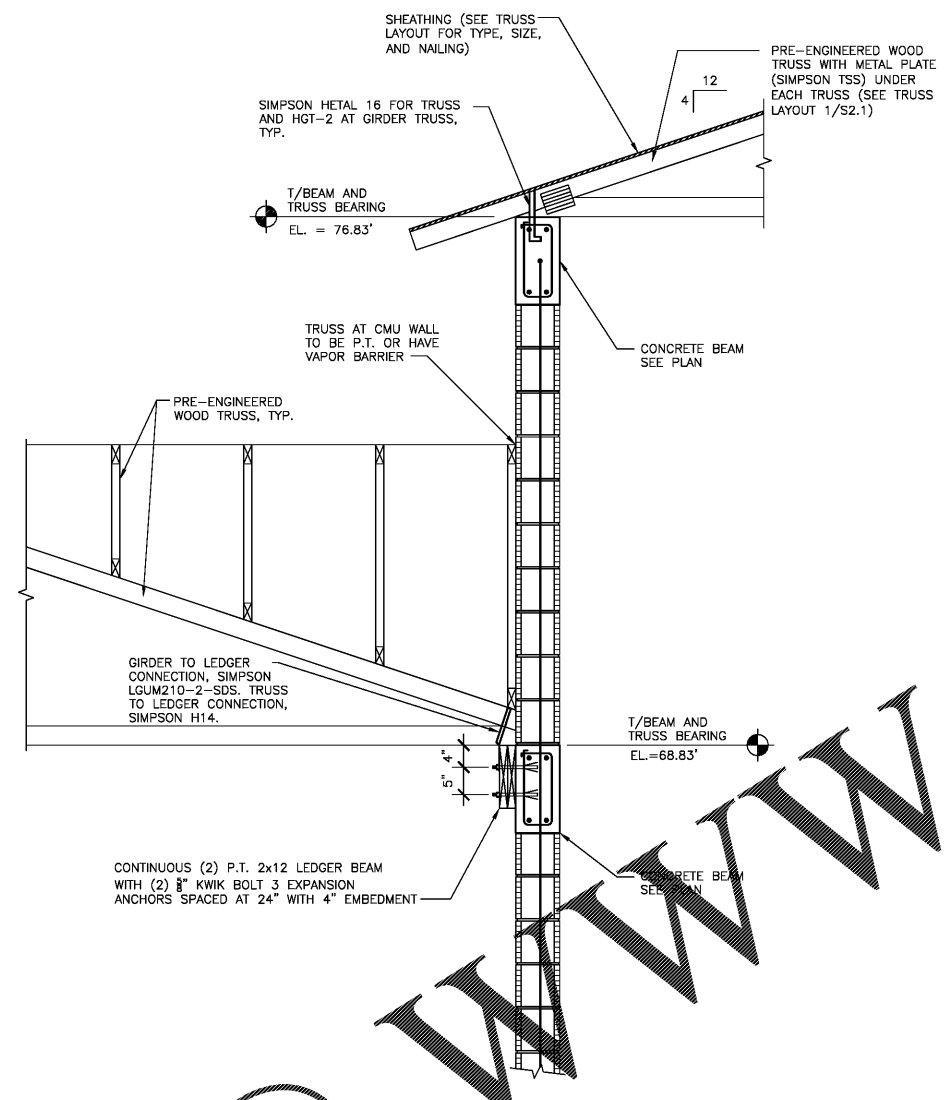


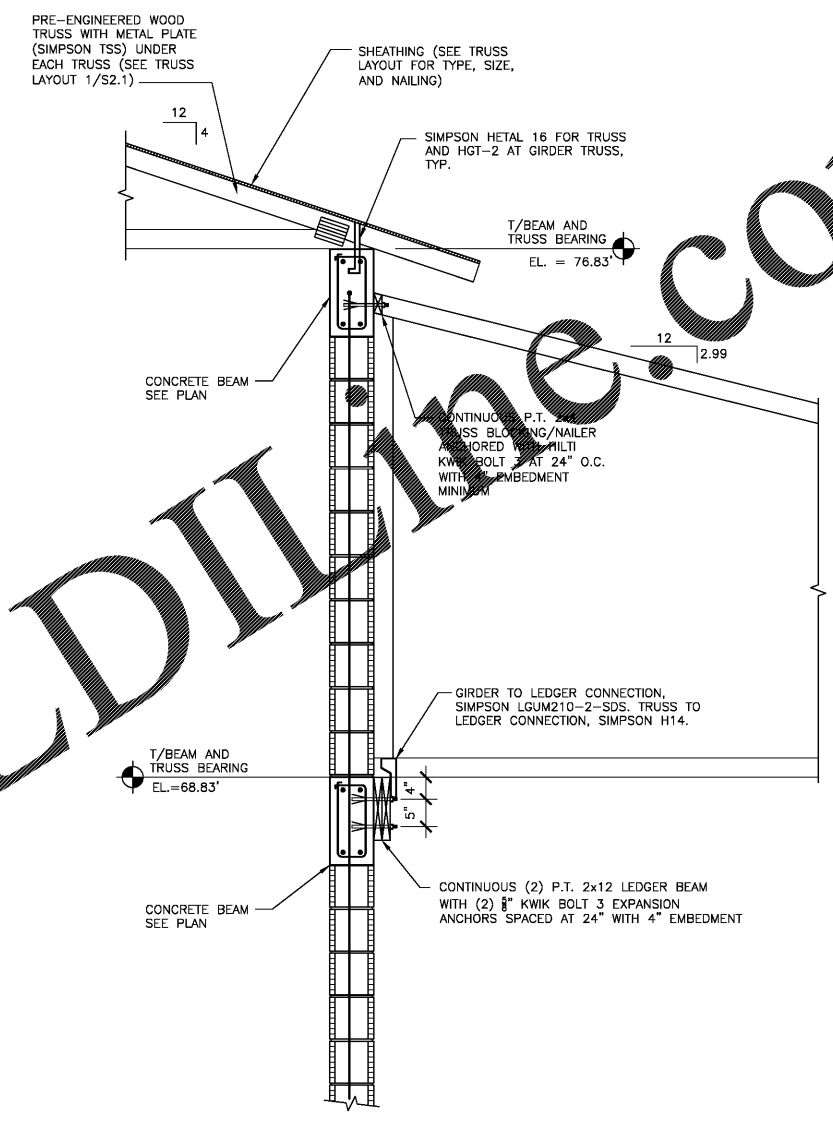
1 WALL SECTION
S3.2 SCALE: 3/4" = 1'-0"



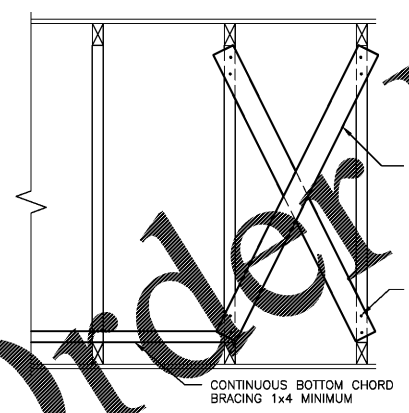
4 TRUSS BRACING OVERLAP DETAIL
S3.2 SCALE: 3/4" = 1'-0"



2 WALL SECTION
S3.2 SCALE: 3/4" = 1'-0"



3 WALL SECTION
S3.2 SCALE: 3/4" = 1'-0"

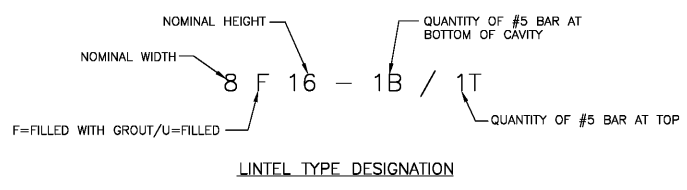


5 CROSS BRACING DETAIL
S3.2 SCALE: 3/4" = 1'-0"

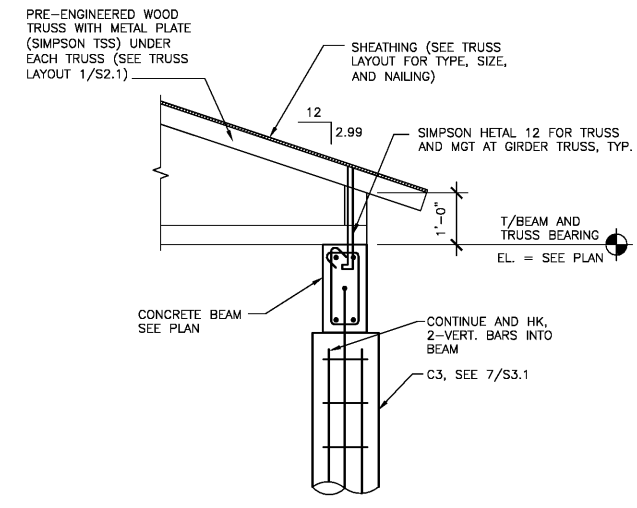
PRECAST LINTEL SCHEDULE

PRECAST CAST CRETE PRECAST LINTELS FOR OPENINGS IN MASONRY AS INDICATED IN TABLE BELOW. FLORIDA BUILDING COMMISSION PRODUCT APPROVAL #FL 158

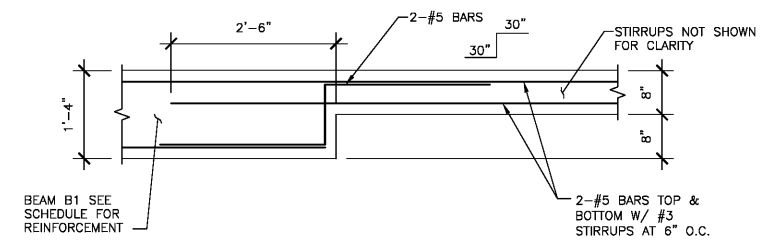
MARK	MINIMUM BEARING	LINTEL TYPE	NOTES
L1	4"	8F8-1B	SEE PLAN
-	-	-	-



6 PRECAST LINTEL SCHEDULE
S3.2 SCALE: N.T.S.



7 SECTION
S3.2 SCALE: 3/4" = 1'-0"



8 BOND BEAM STEP DETAIL
S3.2 SCALE: 3/4" = 1'-0"



CITY OF TAMPA
CONTRACT ADMINISTRATION
DEPARTMENT
PLANNING AND DESIGN DIVISION
105 E. JACKSON STREET 4 NORTH
TAMPA, FLORIDA 33602
P: 813.274.8466 - F: 813.274.8080
WWW.TAMPAGEOVAT.COM

James E. Jackson, Jr. AIA, NOMA
City Architect
Edward D. Rice, AIA
Project Architect
Kevin L. Heredia, AIA
Project Architect
Thomas A. Hester, Sr., AIA, NOMA
Project Architect
Kasey C. Tillman
Drafting Technician
Jory P. Sanders
Drafting Technician
Byron K. Thomas, LEED AP
Drafting Technician

MEP CONSULTANT
GRINER ENGINEERING, INC.
1628 1st. AVENUE NORTH
ST. PETERSBURG, FL 33713

STRUCTURAL CONSULTANT
BILLER REINHART
ENGINEERING GROUP, INC.
3434 COLLIELL AVENUE, SUITE 100
TAMPA, FL 33614

CIVIL CONSULTANT
B M CIVIL LLC
12315 WYCLIFF PLACE
TAMPA, FL 33626

LANDSCAPE CONSULTANT
DAVID CONNER & ASSOCIATES
1509 W. SWANN AVENUE, SUITE 205
TAMPA, FL 33606

FIRE STATION 23
2070 TROUT CREEK DR
TAMPA, FLORIDA

DPW FILE NUMBER

DPW NUMBER
FD0118

ISSUE DATE
7-28-17

DRAWN BY
RC, RM

REVISIONS

△	
△	
△	

SEAL
TO THE BEST OF THE ENGINEER'S KNOWLEDGE, THE PLANS AND SPECIFICATIONS COMPLY WITH THE APPLICABLE MINIMUM BUILDING CODES

ROBERT J. REINHART
FL. P.E. NO. 50076

SCALE: VARIES

SECTION & DETAILS

SHEET NUMBER

S3.2

X OF X

billerreinhardt
ENGINEERING GROUP, INC.
3434 COLLIELL AVENUE SUITE 100, TAMPA, FLORIDA 33614
telephone : 813.908.7203 fax : 813.931.5200
email : info@billerreinhardt.com
State of Florida Certificate of Authorization No. 9149