



**CITY OF TAMPA**  
 CONTRACT ADMINISTRATION  
 DEPARTMENT  
 PLANNING AND DESIGN DIVISION  
 105 E. JACKSON STREET 4 NORTH  
 TAMPA, FLORIDA 33602  
 P: 813.274.8466 - F: 813.274.8080  
 www.tampagov.us

James E. Jackson, Jr. AIA, NOMA  
 City Architect  
 Edward D. Rios, AIA  
 Project Architect  
 Kevin L. Herlihy, AIA  
 Project Architect  
 Thomas A. Hester, Sr., AIA, NOMA  
 Project Architect

Khayy C. Tillman  
 Drafting Technician  
 Jerry P. Sanders  
 Drafting Technician  
 Byron K. Thomas, LEED AP  
 Drafting Technician

**MEP CONSULTANT**  
 GRINER ENGINEERING, INC.  
 1628 1st AVENUE NORTH  
 ST. PETERSBURG, FL 33713

**STRUCTURAL CONSULTANT**  
 BILLER REINHART  
 ENGINEERING GROUP, INC.  
 3434 COLLIWELL AVENUE, SUITE 100  
 TAMPA, FL 33614

**CIVIL CONSULTANT**  
 B M CIVIL LLC  
 12315 WYCLIFF PLACE  
 TAMPA, FL 33626

**LANDSCAPE CONSULTANT**  
 DAVID CONNER & ASSOCIATES  
 1509 W. SWANN AVENUE, SUITE 255  
 TAMPA, FL 33606

**FIRE STATION 23**  
 2070 TROUT CREEK DR  
 TAMPA, FLORIDA

**DPW FILE NUMBER**

**DPW NUMBER**  
 FD0118

**ISSUE DATE**  
 7-28-17

**DRAWN BY**  
 RC, RM

**REVISIONS**


**SEAL**  
 TO THE BEST OF THE ENGINEER'S KNOWLEDGE, THE PLANS  
 AND SPECIFICATIONS COMPLY WITH THE APPLICABLE  
 MINIMUM BUILDING CODES

ROBERT J. REINHART  
 FL. P.E. NO. 50076

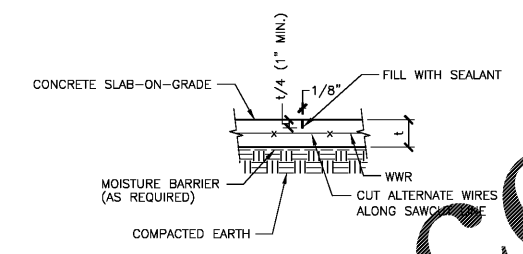
**SCALE: VARIES**

**SECTION & DETAILS**

**SHEET NUMBER**

**S3.1**

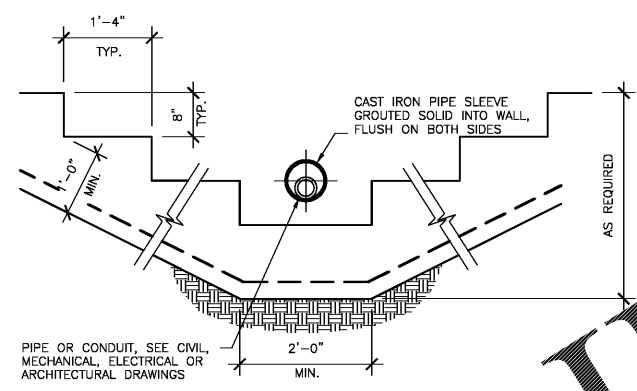
**X OF X**



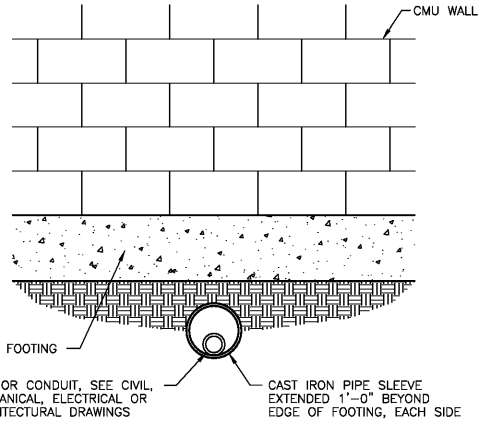
NOTE: MAKE CONTRACTION JOINTS IN SLABS ON GRADE BY SAWING A CONTINUOUS JOINT IN THE TOP OF SLAB.

MAXIMUM SPACING OF CONTRACTION JOINTS IN FEET			
SLAB THICKNESS, INCHES	MAXIMUM SIZE AGGREGATE LESS THAN 3/4 INCHES	MAXIMUM SIZE AGGREGATE 3/4 INCHES AND LARGER	SLUMP LESS THAN 4 INCHES *
4	8	10	12
5	10	13	15
-	-	-	-

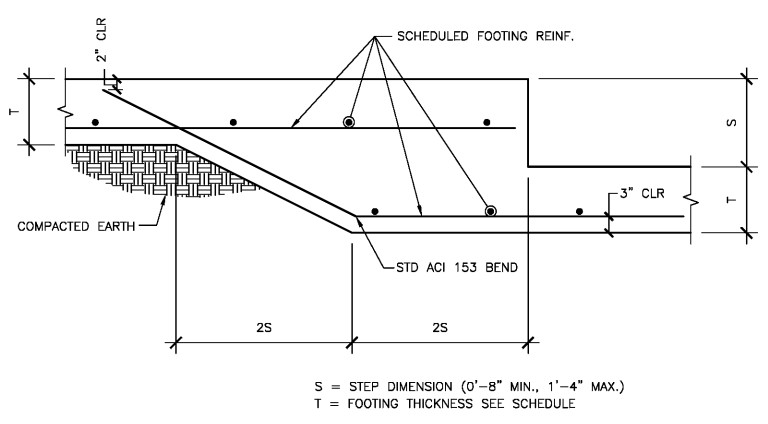
3/4 INCHES AND LARGER MAXIMUM SIZE AGGREGATE



CONTRACTOR SHALL USE THIS DETAIL TO STEP FOOTINGS AS REQUIRED TO RESOLVE UNFORSEEN CONFLICTS WITH UNDERGROUND PIPES OR CONDUITS.



CONTRACTOR SHALL USE THIS DETAIL WHERE PIPE OR CONDUIT MUST PASS BELOW A WALL FOOTING.



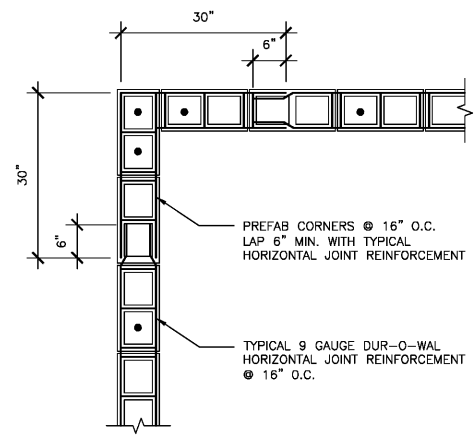
S = STEP DIMENSION (0'-8" MIN., 1'-4" MAX.)  
 T = FOOTING THICKNESS SEE SCHEDULE

**1 STEP FOOTING DETAIL**  
 S3.1 SCALE: 3/4" = 1'-0"

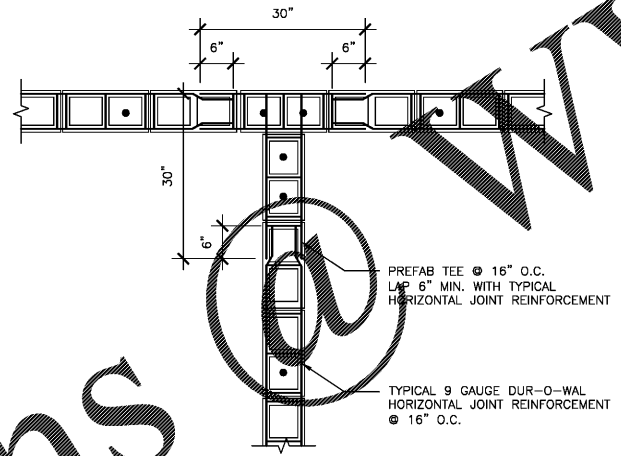
**2 PIPE UNDER FOOTING DETAIL**  
 S3.1 SCALE: 3/4" = 1'-0"

**3 PIPE CONFLICT AT FOOTING DETAIL**  
 S3.1 SCALE: 3/4" = 1'-0"

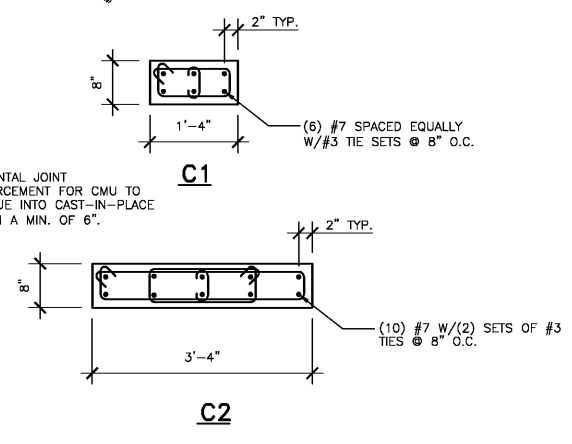
**4 CONTRACTION JOINT DETAIL**  
 S3.1 SCALE: 1/4" = 1'-0"



**5 TYP. CORNER REINFORCING DETAIL**  
 S3.1 SCALE: 3/4" = 1'-0"



**6 TYP. INTERSECTION REINFORCING DETAIL**  
 S3.1 SCALE: 3/4" = 1'-0"



**7 CONCRETE COLUMN DETAILS**  
 S3.1 SCALE: 3/4" = 1'-0"

Order Plans

**billerreinhardt**  
 ENGINEERING GROUP, INC.  
 3434 COLLIWELL AVENUE SUITE 100, TAMPA, FLORIDA 33614  
 telephone: 813.908.7203 fax: 813.931.5200  
 email: info@billerreinhardt.com  
 State of Florida Certificate of Authorization No. 9149