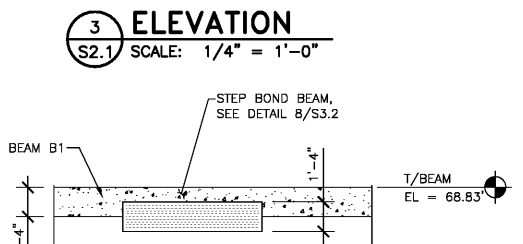
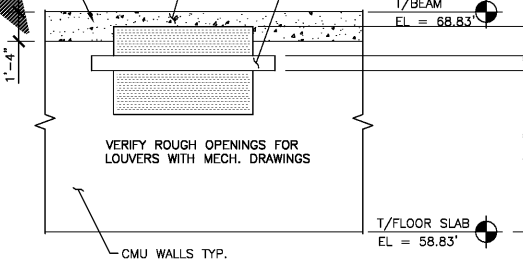
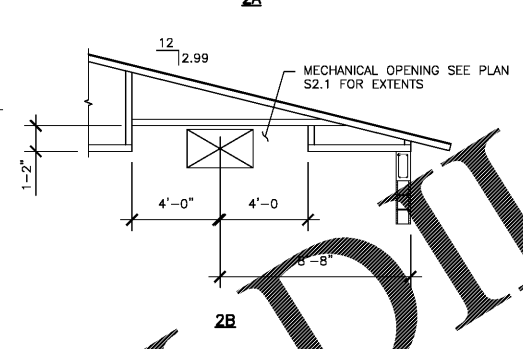
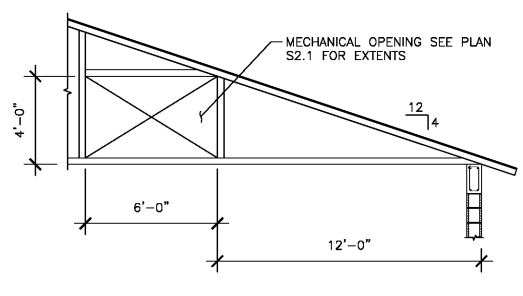


1 ROOF FRAMING PLAN
 S2.1 SCALE: 1/8" = 1'-0"



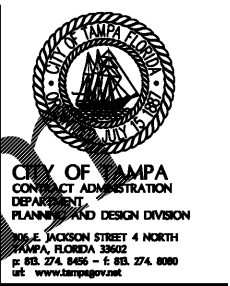
ROOF FRAMING NOTES

- N-1 FOR GENERAL STRUCTURAL NOTES SEE DRAWINGS S1.0.
- N-2 FOR PLAN DIMENSIONS NOT SHOWN, REFER TO ARCHITECTURAL DRAWINGS. VERIFY ALL DIMENSIONS WITH ARCH. DRAWINGS.
- N-3 SEE PLAN FOR FINISH FLOOR ELEVATIONS, VERIFY ELEVATIONS WITH CIVIL DRAWINGS.
- N-4 ANY MODIFICATION TO THE TRUSS LAYOUT SHOWN ON THIS PLAN SHALL BE REVIEWED BY THE ENGINEER. SUCH MODIFICATIONS MAY ADVERSELY AFFECT THE STRUCTURAL DESIGN OF BEAMS, COLUMNS, FOUNDATIONS, AND CMU WALLS.
- N-5 PRE-ENGINEERED TRUSSES SHALL BE DESIGNED SO AS TO EXERT ANY HORIZONTAL THRUST FORCE ON SUPPORTING WALLS AND BEAMS.
- N-6 TRUSS LAYOUT PLAN IS GRAPHIC IN NATURE AND IS PROVIDED FOR ILLUSTRATION PURPOSES ONLY. TRUSS MANUFACTURER SHALL PROVIDE SEPARATE LAYOUT AND TRUSS DESIGN AND CALCULATIONS SIGNED AND SEALED BY FLORIDA REGISTERED PROFESSIONAL ENGINEER.
- N-7 BRACKET ENGINEER WOOD TRUSSES SHALL BE PLACED AT 2'-0" UNLESS NOTED OTHERWISE.
- N-8 INSTALL STIFFENERS PER MANUFACTURER'S SPECIFICATIONS AND DO NOT DRILL HOLES THROUGH THE TRUSS PLATE ON THE OPPOSITE SIDE OF THE TRUSS WHICH COULD FORCE THE PLATE OFF THE JOINTS.
- N-9 ROOF SHEATHING: SHALL BE 24/16 3/8" APA RATED EXTERIOR EXPOSURE 1. NAILS SHALL BE 10d WITH A MINIMUM PENETRATION (IN FRAMING) OF 1 1/2". MINIMUM NOMINAL WIDTH OF FRAMING MEMBERS SHALL BE 2" (ONE LINE OF FASTENERS REQUIRED). SHEATHING SHALL BE PLACED OVER A MINIMUM OF 2 SPANS WITH THE LONG DIMENSION PERPENDICULAR TO THE MAIN ROOF FRAMING MEMBERS. NAIL SPACING SHALL BE 6" AT BOUNDARIES AND CONTINUOUS PANEL EDGES, UNLESS OTHERWISE NOTED. NAIL SPACING SHALL BE 6" AT INTERMEDIATE SUPPORTS, UNLESS NOTED OTHERWISE.
- N-10 THE ENGINEER HAS NOT REVIEWED THE PRE-ENGINEERED TRUSS MANUFACTURER'S LAYOUT TO DETERMINE ANY LOAD BEARING CONDITIONS AND RESERVES THE RIGHT TO MAKE ANY CHANGES AFTER TRUSS LOAD INFORMATION IS SUPPLIED TO THE ENGINEER.
- N-11 THE FINAL TRUSS ENGINEERING AND LAYOUT SHALL BE SUBMITTED TO ENGINEER OF RECORD FOR REVIEW PRIOR TO TRUSS MANUFACTURING.
- N-12 PROVIDE BENT BARS OF THE SAME NUMBER AND SIZE AS STRAIGHT BARS AT CORNERS AND INTERSECTIONS OF BOND BEAM TYP.
- N-13 TRUSS BRACING SEE DETAIL 4/S3.2.
- N-14 CROSS BRACING AT 20'-0" MAX, SEE DETAIL 5/S3.2.
- N-15 ROOF OVERHANGS TO BE VERIFIED WITH ARCHITECTURAL DRAWINGS.
- N-16 MULTI-PLY GIRDER TRUSS AS REQUIRED BY TRUSS MANUFACTURER. TRUSS TO TRUSS CONNECTION PROVIDED BY TRUSS MANUFACTURER.
- N-17 TRUSS TO STRUCTURE HOLD DOWN STRAPS SUBJECT TO CHANGE, DEPENDANT UPON COMPLETION OF TRUSS MANUFACTURER'S CALCULATIONS AND REQUIREMENTS.

ROOF FRAMING LEGEND

- INDICATES OPENING WITH L1 LINTEL TYPICAL U.N.O. SEE 6/S3.2 FOR LINTEL SCHEDULE AND VERIFY OPENING WITH ARCHITECTURAL DRAWINGS.
- BX=(X) INDICATES CONCRETE BEAM AND TOP OF BEAM ELEVATION. SEE BEAM SCHEDULE.
- INDICATES CONCRETE BEAM ABOVE OPENING, BEAM TO SPAN 8" BEYOND OPENING ON EACH SIDE.
- INDICATES MODIFIED TRUSS TO ACCOMMODATE MECHANICAL EQUIPMENT. SEE 2/S2.1

BEAM SCHEDULE			
MARK	WIDTH	DEPTH	REINFORCEMENT
B1	8"	16"	2-#5 BARS TOP AND BOTTOM W/#3 STIRRUPS AT 12" O.C.
B2	8"	24"	2-#5 BARS TOP AND BOTTOM AND MIDDLE W/#3 STIRRUPS AT 10" O.C.
B3	8"	32"	2-#5 BARS TOP AND BOTTOM AND 2-#5 EACH FACE MIDDLE W/#3 STIRRUPS AT 12" O.C.
-	-	-	-



James E. Jackson, Jr. AIA, NOMA
 City Architect
Edward D. Rice, AIA
 Project Architect
Kevin L. Harlow, AIA
 Project Architect
Thomas A. Hester, Sr. AIA, NOMA
 Project Architect
Kelsey C. Tillman
 Drafting Technician
Jerry P. Sanders
 Drafting Technician
Byron K. Thomas, LEED AP
 Drafting Technician

MEP CONSULTANT
 GRINER ENGINEERING, INC.
 1628 1st. AVENUE NORTH
 ST. PETERSBURG, FL 33713

STRUCTURAL CONSULTANT
 BILLER REINHART
 ENGINEERING GROUP, INC.
 3434 COLLIWELL AVENUE, SUITE 100
 TAMPA, FL 33614

CIVIL CONSULTANT
 5 M CIVIL LLC
 12315 UYCLIFF PLACE
 TAMPA, FL 33626

LANDSCAPE CONSULTANT
 DAVID CONNER & ASSOCIATES
 1509 W. SWANN AVENUE, SUITE 255
 TAMPA, FL 33606

FIRE STATION 23
 2070 TROUT CREEK DR
 TAMPA, FLORIDA

DPW FILE NUMBER

DPW NUMBER
 FD0118

ISSUE DATE
 7-28-17

DRAWN BY
 RC, RM

REVISIONS

SEAL
 TO THE BEST OF THE ENGINEER'S KNOWLEDGE, THE PLANS AND SPECIFICATIONS COMPLY WITH THE APPLICABLE MINIMUM BUILDING CODES

ROBERT J. REINHART
 FL. P.E. NO. 50076

SCALE: VARIES

ROOF FRAMING PLAN

SHEET NUMBER

S2.1
 X OF X

billerreinhardt
 ENGINEERING GROUP, INC.
 3434 COLLIWELL AVENUE SUITE 100, TAMPA, FLORIDA 33614
 telephone : 813.908.7203 fax : 813.931.5200
 email : info@billerreinhardt.com
 State of Florida Certificate of Authorization No. 9149