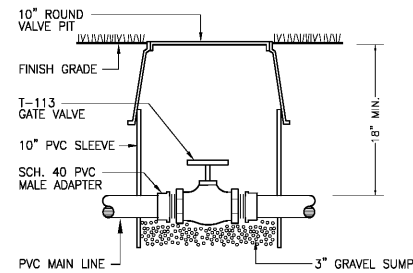
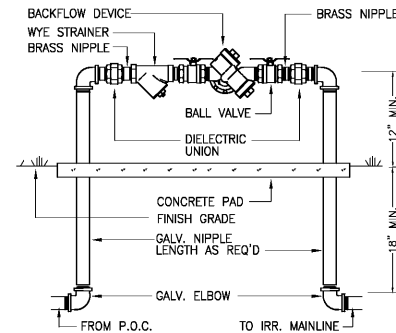


REMOTE CONTROL VALVE

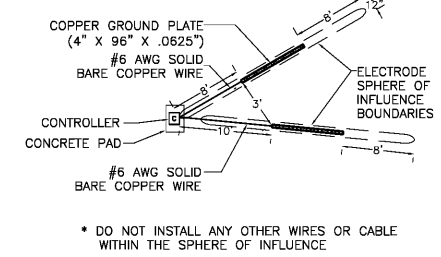


ISOLATION GATE VALVE



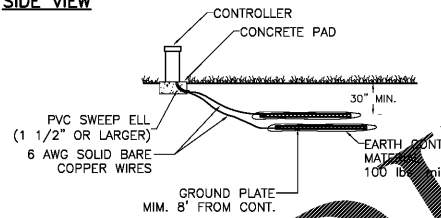
BACKFLOW PREVENTOR

TOP VIEW



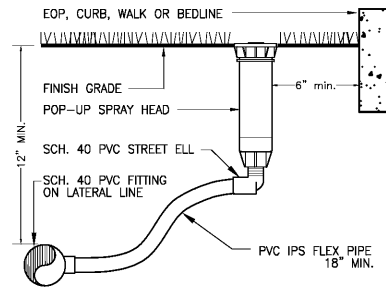
* DO NOT INSTALL ANY OTHER WIRES OR CABLE WITHIN THE SPHERE OF INFLUENCE

SIDE VIEW



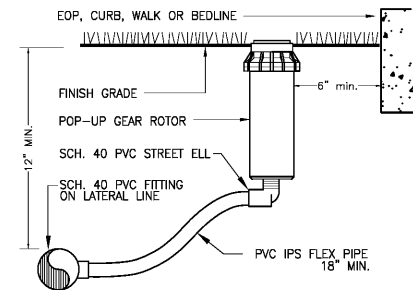
MINIMUM ACCEPTABLE RESISTANCE TO GROUND IS 15 OHMS. USE ADDITIONAL GROUND PLATES OR GROUND RODS AS NEEDED.

CONTROLLER GROUNDING



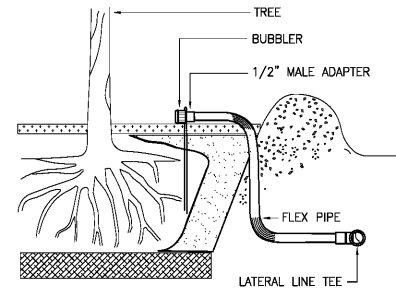
TURF SPRAY HEAD

PROVIDE 12" MIN. SPACE BETWEEN ALL SPRINKLER HEADS AND ANY WALL OR STRUCTURE



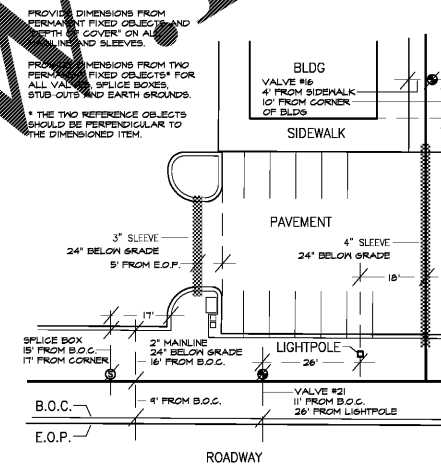
TURF ROTOR HEAD

PROVIDE 12" MIN. SPACE BETWEEN ALL SPRINKLER HEADS AND ANY WALL OR STRUCTURE

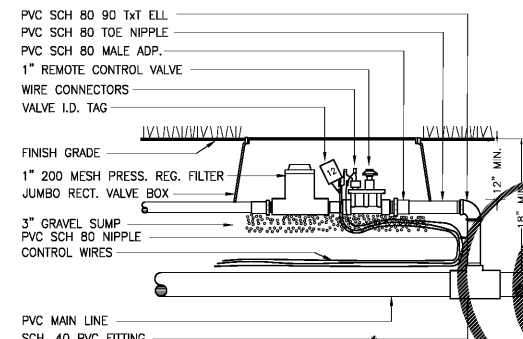


TREE BUBBLER

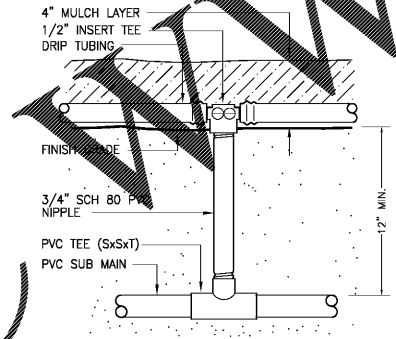
INSTALL FLEX PIPE (LOCATION AND DEPTH) TO BE PROTECTED FROM MAINTENANCE OPERATIONS (EDGING, MOWING)



"AS BUILT" TYPICAL

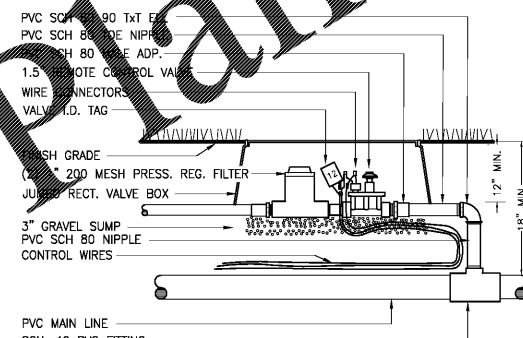


20 gpm DRIP ZONE CONTROL VALVE

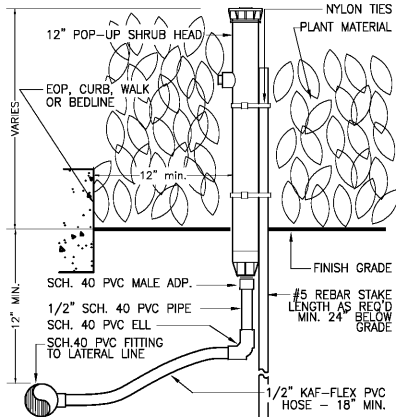


PVC - DRIP CONNECTION

PROVIDE 12" MIN. SPACE BETWEEN ALL DRIFLINES AND ANY WALL OR STRUCTURE

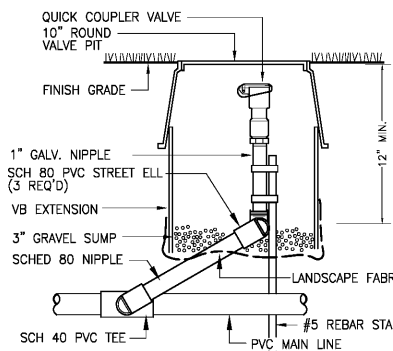


30 gpm DRIP ZONE CONTROL VALVE



SHRUB ROTATOR HEAD

PROVIDE 12" MIN. SPACE BETWEEN ALL SPRINKLER HEADS AND ANY WALL OR STRUCTURE



QUICK COUPLER

VALVE TO BE CENTERED IN THE VALVE BOX

Order Plans @



CITY OF TAMPA
CONTRACT ADMINISTRATION
DEPARTMENT OF DESIGN DIVISION
306 JACKSON STREET 4 NORTH
TAMPA, FLORIDA 33602
PH: 813.274.8456
WWW.TAMPAGOV.NET

James E. Jackson, Jr. AIA, NOMA
City Architect
Edward D. Rice, AIA
Project Architect
Kevin L. Herlika, AIA
Project Architect
Thomas A. Hester, Sr., AIA, NOMA
Project Architect
David R. Pagitt
Supervisor, Architectural Drafting
Kinsy C. Tillman
Drafting Technician
Jerry P. Sanders
Drafting Technician
Byron K. Thomas
Drafting Technician

MEP CONSULTANT

STRUCTURAL CONSULTANT

CIVIL CONSULTANT

SM CIVIL LLC
12315 WYCLIFF PI
TAMPA, FL 33626

DAVID CONNER
ASSOCIATES
100 East Madison Street Suite 8009 Tampa, FL 33602
813.299.1937 | www.davidconner.com | Lic#0000719
Planning, Landscape Architecture & Design

CITY OF TAMPA
FIRE STATION #23
LANDSCAPE PLANS

DPW FILE NUMBER

DPW NUMBER
17-010

ISSUE DATE
2017-07-28

DRAWN BY
IG

REVISIONS

90% CONSTRUCTION
DOCUMENTS

SEAL

SHEET NUMBER

L-440
IRRIGATION DETAILS

8 OF 8

