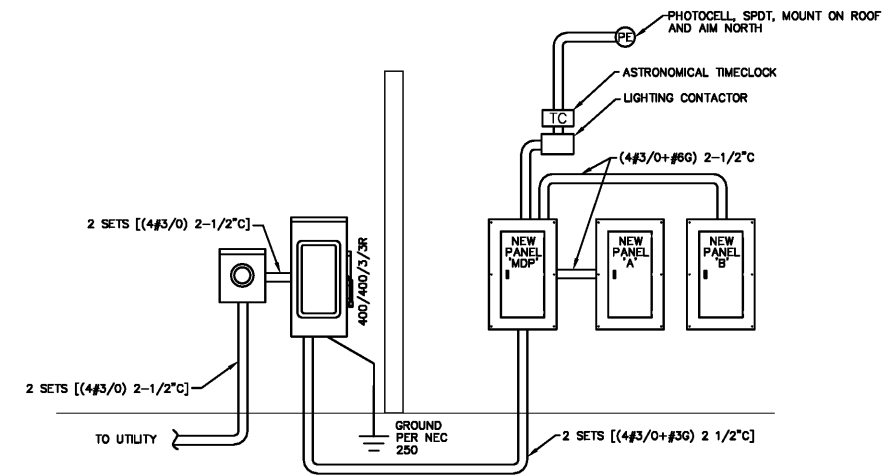


TAG: MDP							ENTRY: TBD	AIC: 42,000		
MAINS: 400A MCB							FEED THRU LUGS: NONE	SPD: NO		
SERVICE: 208/120V,3PH,4W							* = GFI CIRCUIT BREAKER	TRIM: SURFACE		
CKT	C/B	LOAD	kVA	A PHASE	B PHASE	C PHASE	kVA	LOAD	C/B	CKT
1	20/1	COOLER EVAP (EVAP-1)	1.8	2.9			1.1	L - DINING AREA	20/1	2
3	20/1	COOLER COND. (CND-1)	1.4		1.8		0.4	L - SERVING LINE 2X2	20/1	4
5	20/1	FREEZER EVAP. (EVAP-2)	1.8			1.9	0.1	L - SERVING LINE DL	20/1	6
7			3.2	3.6			0.4	L - KITCHEN	20/1	8
9	60/3	FREEZER COND. (CND-2)	3.2		3.4		0.2	L - EXTERIOR	20/1	10
11			3.2			4.8	1.6	L - EXTERIOR STRIP LED	20/1	12
13	20/1	COOLER LTS/ACCESSORIES	1.0	1.2			0.2	L - OFFICE/RESTROOMS	20/1	14
15	20/1	WH-1/WH-2 (GAS)	0.4		0.4			SPARE	20/1	16
17	20/1	EF-1/EF-2	0.5			0.5		SPARE	20/1	18
19	20/1	SPARE		0.0				SPARE	20/1	20
21	20/1	SPARE			0.0			SPARE	20/1	22
23	20/1	SPARE				0.0		SPARE	20/1	24
25			3.1	3.1				SPARE	20/1	26
27	25/3	RTU-1	3.1		3.1			SPARE	20/1	28
29			3.1			3.1		SPARE	20/1	30
31			3.1	18.8			15.7			32
33	25/3	RTU-2	3.1		19.6		16.5	PANEL A	200/3	34
35			3.1			15.9	12.8			36
37			3.1	25.6			22.5			38
39	25/3	RTU-3	3.1		24.4		21.3	PANEL B	200/3	40
41			3.1			24.5	21.4			42
CONNECTED KVA TOTAL:			44.4	55.2	52.7		114.2	CONNECTED AMPS TOTAL:		440.25
DEMAND KVA TOTAL:			119.0					DEMAND AMPS TOTAL:		330.18

TAG: A							ENTRY: TBD	AIC: 22,000		
MAINS: 200A MLO							FEED THRU LUGS: NONE	SPD: NO		
SERVICE: 208/120V,3PH,4W							* = GFI CIRCUIT BREAKER	TRIM: SURFACE		
CKT	C/B	LOAD	kVA	A PHASE	B PHASE	C PHASE	kVA	LOAD	C/B	CKT
1	20/1	BEV. REFRIGERATOR	1.0	3.1			2.1	(96) ESPRESSO MACHINE	30/2	2
3	20/1	POS/VDU	1.0		3.1		2.1			4
5	20/1	PRINTERS	1.0			3.1	2.1	(96) ESPRESSO MACHINE	30/2	6
7			3.1	5.2			2.1			8
9	40/2	(101P-3) COFFEE BREWER	3.1		3.7		0.6	(120F) UC REFRIGERATOR	20/1	10
11	20/1	(101Q-3) SINGLE COFFEE BREWER	1.3			2.0	0.7	(116) ISLAND OASIS MACHINE	20/1	12
13	20/1	(120F) UC REFRIGERATOR	0.6	1.6			1.0	DONUT CASE LIGHTING	20/1	14
15	20/1	(101C-1) DAIRY DISPENSER	0.2		1.6		1.4	DMB	20/1	16
17	20/1	(101D) WARMER UNIT/DISPENSER	0.5			0.5		SPARE	20/1	18
19	20/1	PRINTER/VDU	0.5	2.0			1.5	HAND DRYER	20/1	20
21	20/1	(120F) UC REFRIGERATOR	0.6		2.1		1.5	HAND DRYER	20/1	22
23	20/1	(101D) WARMER UNIT/DISPENSER	0.5			0.9	0.4	R - RESTROOMS	20/1	24
25	20/1	(101C-1) DAIRY DISPENSER	0.2	0.9			0.7	R - OFFICE	20/1	26
27	20/1	(101Q-3) SINGLE COFFEE BREWER	1.3		2.4		1.1	R - OFFICE	20/1	28
29			1.7			2.8	1.1	R - OFFICE	20/1	30
31	30/2	(101PP-3) COFFEE BREWER	1.7	2.4			0.7	R - KITCHEN	20/1	32
33	40/2	(101P-3) COFFEE BREWER	3.1		3.1			SPARE	20/1	34
35			3.1			3.1		SPARE	20/1	36
37	20/1	DRIVE-THRU WINDOW	0.5	0.5				SPARE	20/1	38
39	20/1	PRINTER/HEADSET	0.5		0.5			SPARE	20/1	40
41	20/1	POS/VDU	0.5			0.5		SPARE	20/1	42
CONNECTED KVA TOTAL:			26.0	15.7	16.5	12.8	19.1	CONNECTED AMPS TOTAL:		125.07
DEMAND KVA TOTAL:			28.8					DEMAND AMPS TOTAL:		80.00

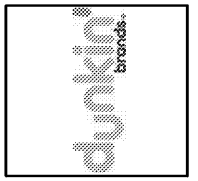
TAG: B							ENTRY: TBD	AIC: 22,000		
MAINS: 200A MLO							FEED THRU LUGS: NONE	SPD: NO		
SERVICE: 208/120V,3PH,4W							* = GFI CIRCUIT BREAKER	TRIM: SURFACE		
CKT	C/B	LOAD	kVA	A PHASE	B PHASE	C PHASE	kVA	LOAD	C/B	CKT
1		(200A) ICED COFFEE BREWER	2.0	3.0			1.0	DD SIGNAGE	20/1	2
3	30/2		2.0		2.2		0.2	R - EXTERIOR	20/1	4
5	30/2	(108A-1) HOT BEV. MACHINE	2.3			3.0	0.7	R - DINING AREA	20/1	6
7			2.3	2.5			0.2	OPEN SIGN	20/1	8
9	20/1	(247-1) ASSEMBLY STATION	1.2		2.2		1.0	DD SIGNAGE	20/1	10
11	20/1	(246A) HOT HOLD UNIT	1.2			1.4	0.2	R - EXTERIOR	20/1	12
13			2.5	3.5			1.0	DRIVE-THRU SPEAKER	20/1	14
15	30/2	(244A) DUAL TOASTER	2.5		3.3		0.8	DRIVE-THRU MENU BOARD	20/1	16
17			2.5			3.1	0.6	DD DIRECTIONAL SIGNAGE	20/1	18
19	30/2	(215-EC) COUNTER OVEN	2.5	3.4			0.9	DD DIRECTIONAL SIGNAGE	20/1	20
21	30/2	(215-EC) COUNTER OVEN	2.5		2.7		0.2	R - BOOSTER PUMP	20/1	22
23			2.5			2.7	0.2	R - ROOFTOP	20/1	24
25	20/1	(242) OVERSHELF REFRIGERATOR	0.9	1.4			0.5	R - DINING AREA	20/1	26
27			1.7		1.7			SPARE	20/1	28
29	30/2	(413) ICE MACHINE	1.7			1.7		SPARE	20/1	30
31			4.6	4.6				SPARE	20/1	32
33	50/3	(539B) HYDROVECTION OVEN	4.6		4.6			SPARE	20/1	34
35			4.6			4.6		SPARE	20/1	36
37			4.6	4.6				SPARE	20/1	38
39	50/3	(539B) HYDROVECTION OVEN	4.6		4.6			SPARE	20/1	40
41			4.6			4.6		SPARE	20/1	42
CONNECTED KVA TOTAL:			58.0	23.1	21.3	21.1	7.5	CONNECTED AMPS TOTAL:		181.63
DEMAND KVA TOTAL:			41.4					DEMAND AMPS TOTAL:		115.04



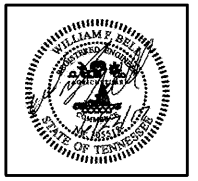
ELECTRICAL RISER DIAGRAM  
NO SCALE 208/120V, 3Ø, 4W

No	Date	Description

This Drawing and all associated designs are the property of COPELAND ARCHITECTURE and shall be returned upon completion of work. Use or copy is permitted by contract only. Unauthorized use will be prosecuted.



A NEW DARK ROAST STORE  
DUNKIN' DONUTS  
for  
SHULER DEVELOPMENT  
STORE #357147  
4880-4890 PORT ROYAL ROAD  
SPRING HILL, TN 37174



EDWARD L. COPELAND, AIA  
4511 CHAMBLEE DUNWOODY ROAD, SUITE E-1  
ATLANTA, GEORGIA 30338  
PH. 770.551.9525 FAX 770.551.9524  
WWW.COPELANDARCHITECTURE.COM

DRAWN BY: KJB
CHECKED BY: WFB
DATE: 06/22/17
SCALE:
C.A. COMMISSION NUMBER 1704
SHEET NAME ELECTRICAL RISER DIAGRAM AND PANEL SCHEDULES
SHEET NUMBER <b>E4.0</b>

**WILLIAM F. BELL**  
Engineer  
TN REG. # 105518  
1702 Sheep Cliff Road  
Hawessee, GA 30548  
(404) 897-7602