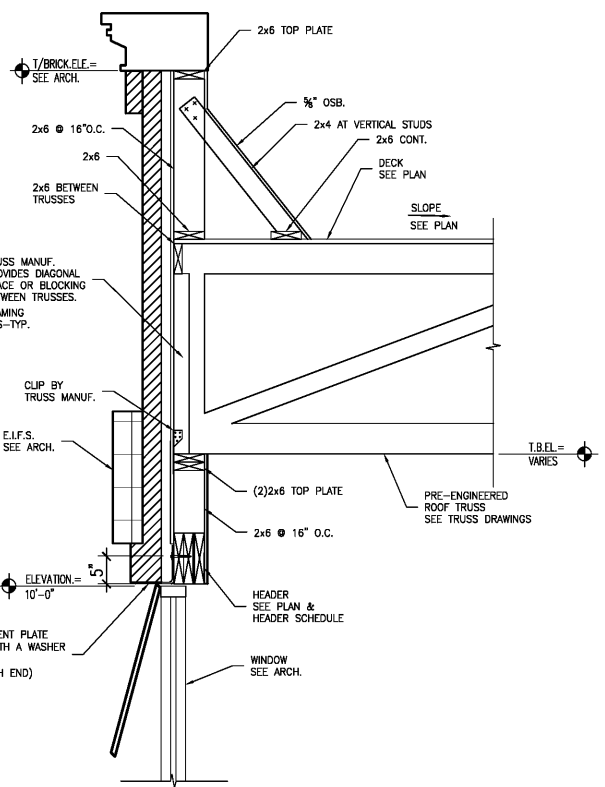
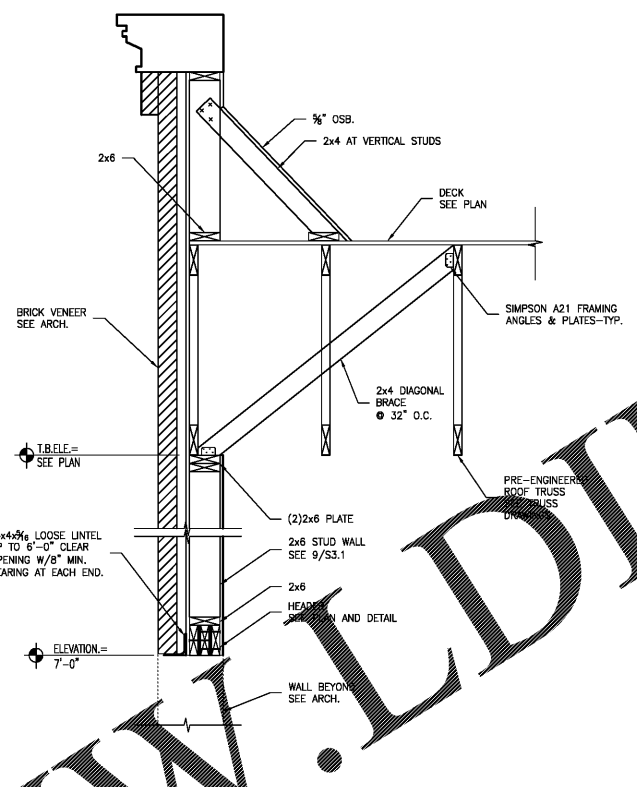


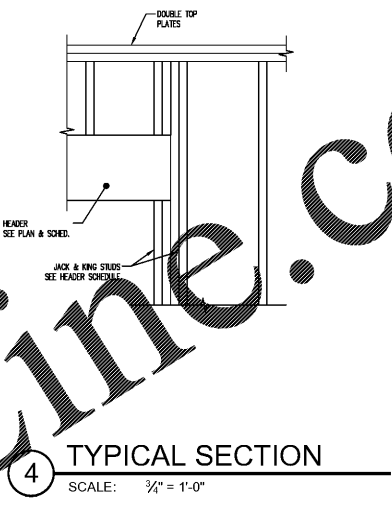
1 SECTION
SCALE: 3/4" = 1'-0"



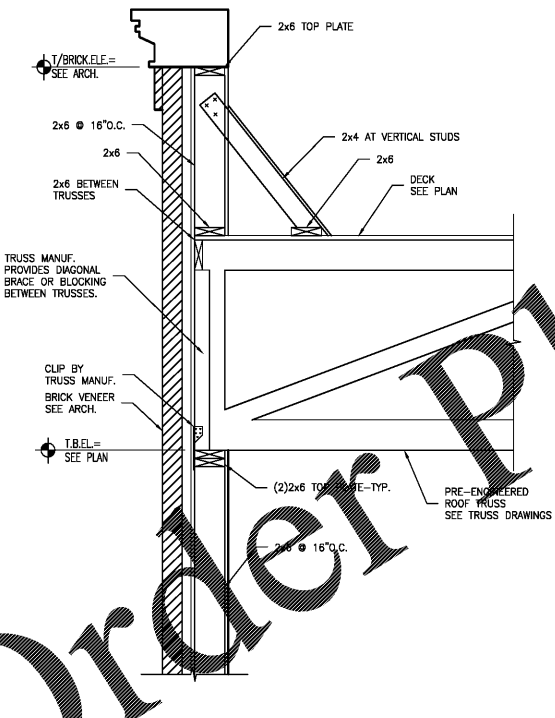
2 SECTION
SCALE: 3/4" = 1'-0"



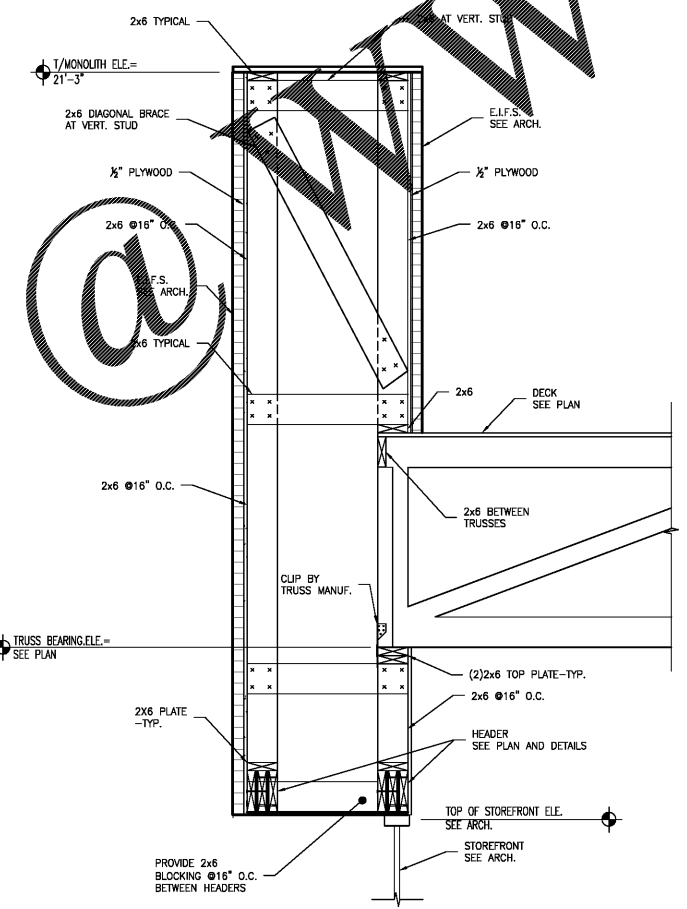
3 SECTION
SCALE: 3/4" = 1'-0"



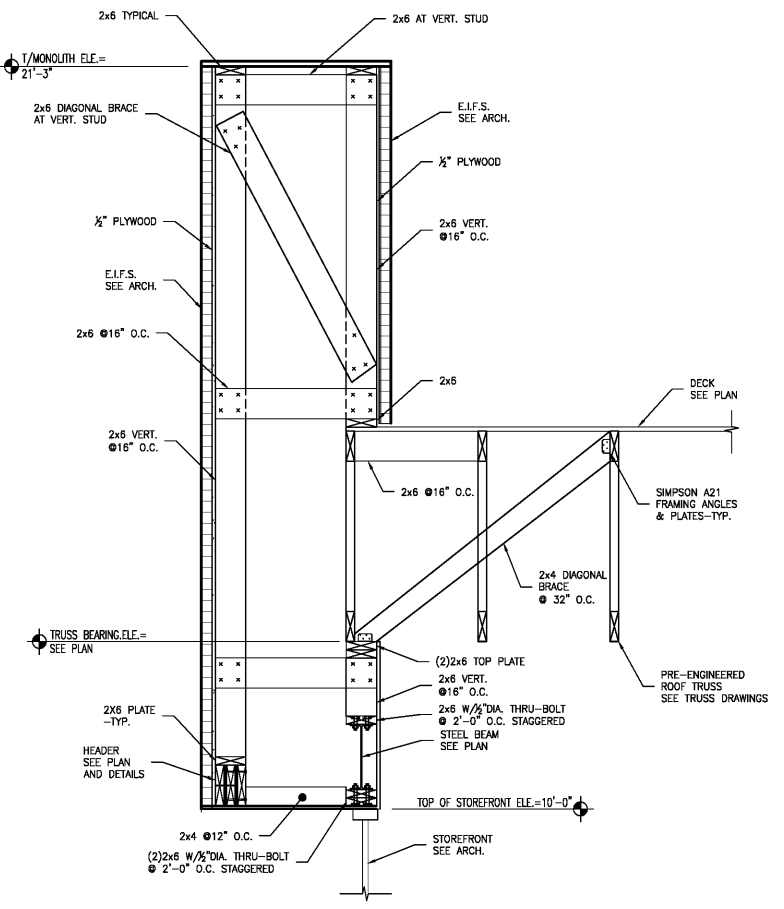
4 TYPICAL SECTION
SCALE: 3/4" = 1'-0"



5 SECTION
SCALE: 3/4" = 1'-0"



6 SECTION
SCALE: 3/4" = 1'-0"



7 SECTION
SCALE: 3/4" = 1'-0"

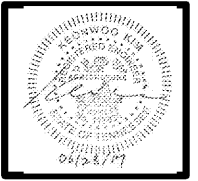
Order Plans

Description	NO.	Date

Engineering and all associated designs are the property of COPELAND ARCHITECTURE and shall be returned upon completion of work. Use or copy is permitted by contract only. Unauthorized use will be prosecuted.

A NEW DARK ROAST STORE
DUNKIN DONUTS
for
SHULER DEVELOPMENT
STORE #357147
4880-4890 PORT ROYAL ROAD
SPRING HILL, TN 37174

EDWARD L. COPELAND, AIA
4511 CHAMBLEE DUNWOODY ROAD, SUITE E-1
ATLANTA, GEORGIA 30338
PH. 770.551.9525 FAX 770.551.9524
WWW.COPELANDARCHITECTURE.COM



STRUCTURAL
EDWARD L. COPELAND, AIA
4511 CHAMBLEE DUNWOODY ROAD, SUITE E-1
ATLANTA, GEORGIA 30338
PH. 770.551.9525 FAX 770.551.9524
WWW.COPELANDARCHITECTURE.COM

DRAWN BY: BJ
CHECKED BY: KK
DATE: 09/28/17
SCALE: AS NOTED
C.A. COMMISSION NUMBER: 1704

FRAMING SECTIONS & DETAILS

S4.1