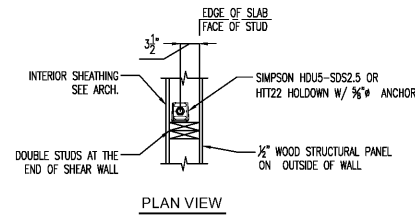
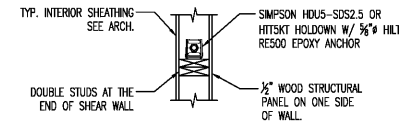


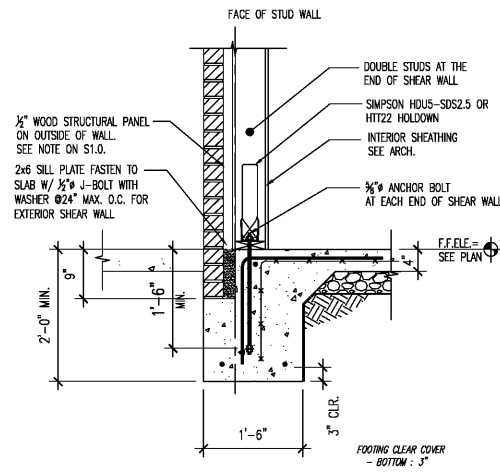
1 SECTION  
SCALE: 3/4" = 1'-0"



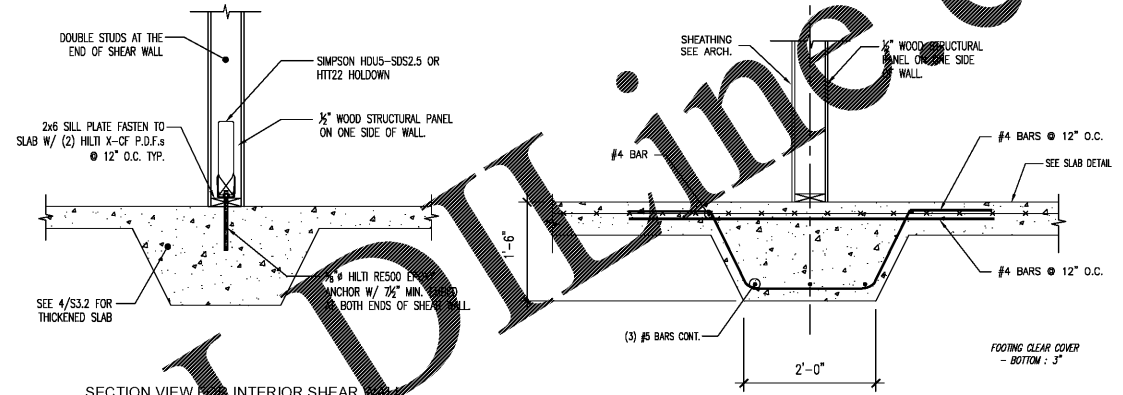
PLAN VIEW



PLAN VIEW

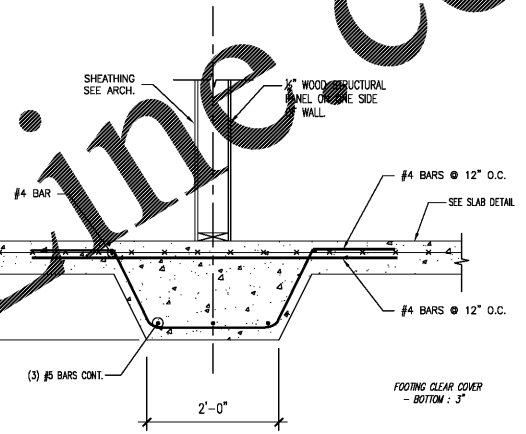


2 SECTION  
SCALE: 3/4" = 1'-0"



SECTION VIEW FOR INTERIOR SHEAR WALL

3 SECTION  
SCALE: 3/4" = 1'-0"



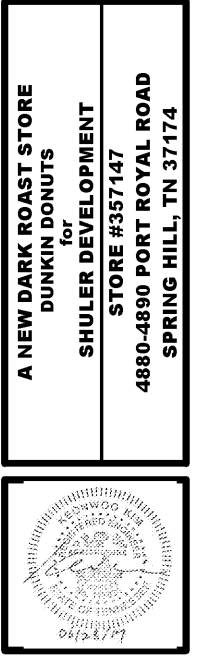
4 SECTION  
SCALE: 3/4" = 1'-0"

Order Plans @ WWW.LDOnline.com

NO.	DATE	DESCRIPTION

The drawings and all associated designs are the property of COPELAND ARCHITECTURE and shall be returned upon completion of work. Use or copy is permitted by contract only. Unauthorized use will be prosecuted.

A NEW DARK ROAST STORE  
DUNKIN' DONUTS  
for  
SHULER DEVELOPMENT  
STORE #357147  
4880-4890 PORT ROYAL ROAD  
SPRING HILL, TN 37174



STRUCTURAL  
EDWARD L. COPELAND, AIA  
4511 CHAMBLEE DUNWOODY ROAD, SUITE E-1  
ATLANTA, GEORGIA 30338  
PH. 770.551.9525 FAX 770.551.9524  
WWW.COPELANDARCHITECTURE.COM

DRAWN BY:  
BJ  
CHECKED BY:  
KK  
DATE:  
06/28/17  
SCALE:  
AS NOTED  
C.A. COMMISSION NUMBER:  
1704

FOUNDATION  
SECTIONS & DETAILS

S3.2