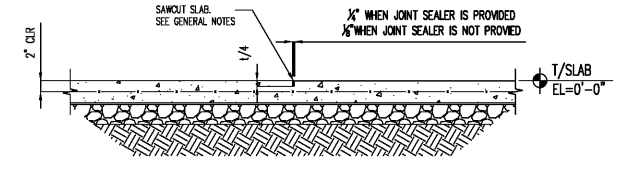
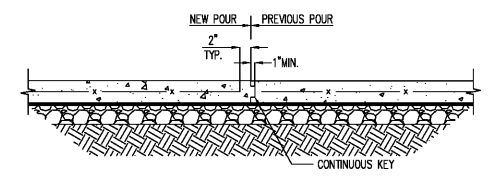


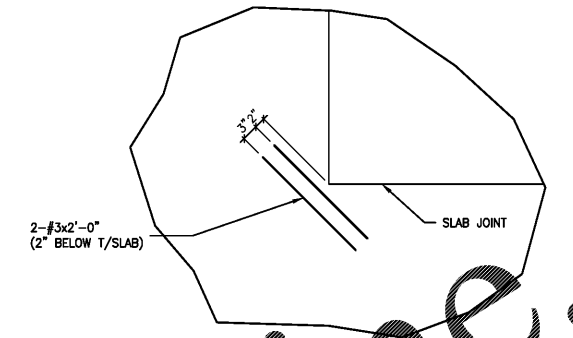
1 TYPICAL SLAB DETAIL
SCALE: 3/4" = 1'-0"



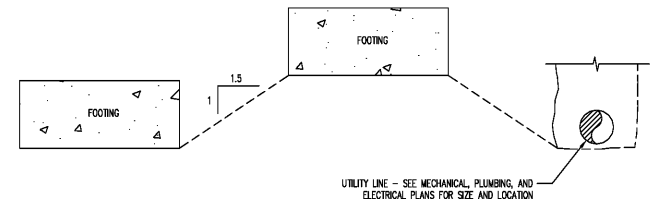
2 CONTRACTION JOINT DETAIL
SCALE: 3/4" = 1'-0"



3 CONSTRUCTION JOINT DETAIL
SCALE: 3/4" = 1'-0"

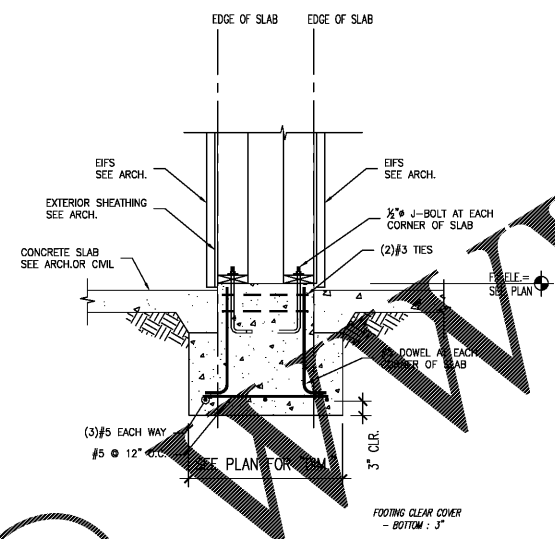


4 TYPICAL CORNER SLAB JOINT
SCALE: 3/4" = 1'-0"

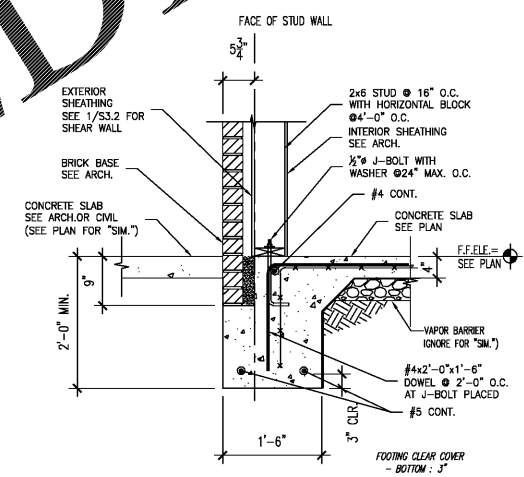


NOTES:
1. WHERE PIPE TRENCHING OR EXCAVATION FOR ADJACENT FOOTING IS TO BE CARRIED OUT IN THE VICINITY OF FOOTING, THESE FOOTINGS MUST BE LOWERED TO SATISFY THE MAXIMUM 1 VERTICAL IN 1/4 HORIZONTAL SLOPE.
2. CONTRACTOR TO FIELD COORDINATE EXCAVATION AND FOOTING ELEVATIONS.

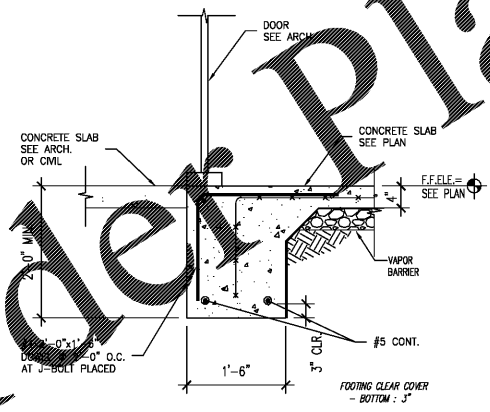
5 ADJACENT FOOTING & EXCAVATION DETAIL
SCALE: 3/4" = 1'-0"



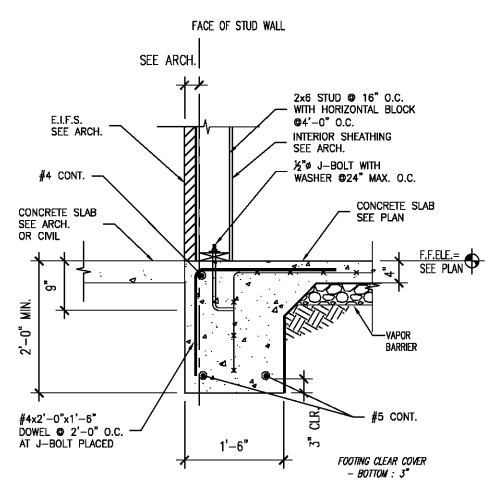
6 SECTION
SCALE: 3/4" = 1'-0"



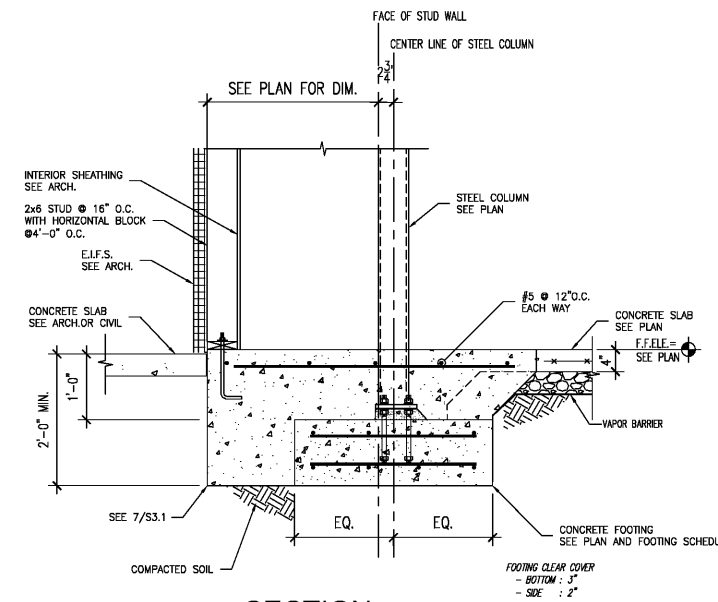
7 TYPICAL EXTERIOR SLAB EDGE
SCALE: 3/4" = 1'-0"



8 SECTION
SCALE: 3/4" = 1'-0"



9 SECTION
SCALE: 3/4" = 1'-0"



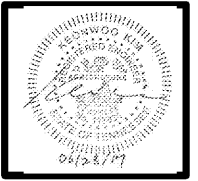
10 SECTION
SCALE: 3/4" = 1'-0"

Order Plans @

NO.	Date	Description

Engineering and all associated designs are the property of COPELAND ARCHITECTURE and shall be returned upon completion of work. Use or copy is permitted by contract only. Unauthorized use will be prosecuted.

A NEW DARK ROAST STORE
DUNKIN' DONUTS
for
SHULER DEVELOPMENT
STORE #357147
4880-4890 PORT ROYAL ROAD
SPRING HILL, TN 37174



STRUCTURAL
EDWARD L. COPELAND, AIA
4511 CHAMBLEE DUNWOODY ROAD, SUITE E-1
ATLANTA, GEORGIA 30338
PH. 770.551.9525 FAX 770.551.9524
WWW.COPELANDARCHITECTURE.COM

DRAWN BY: BJ
CHECKED BY: KK
DATE: 09/28/17
SCALE: AS NOTED
C.A. COMMISSION NUMBER: 1704

FOUNDATION SECTIONS & DETAILS

S3.1