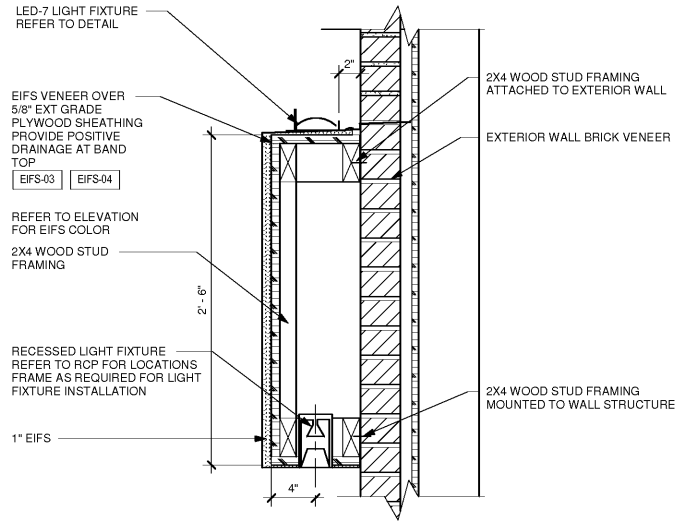
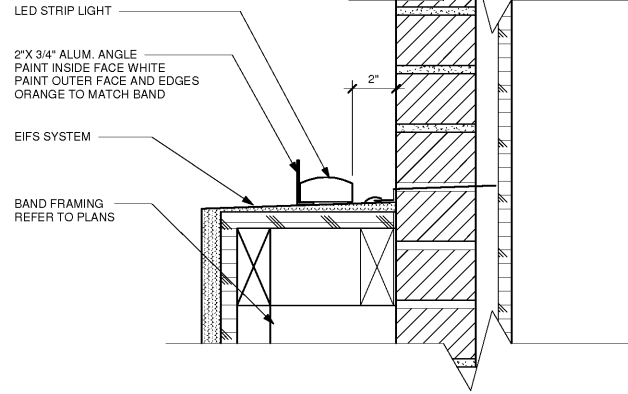


NOTES: 04810 MASONRY

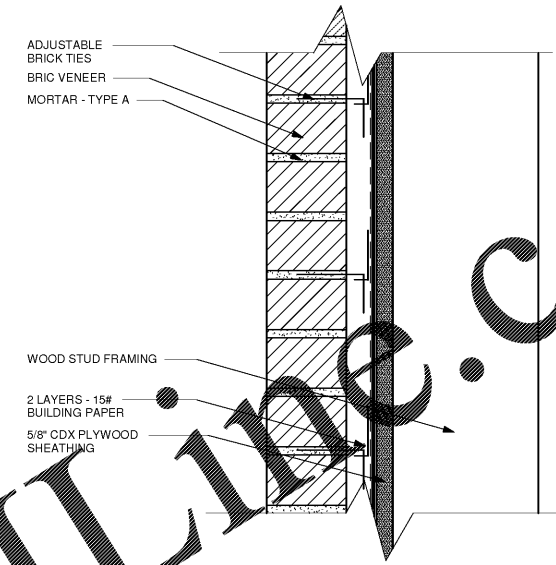
- HORIZONTAL MASONRY REINFORCEMENT SHALL BE AS MANUFACTURED BY DUR-O-WALL/HOHMANN, BARNARD, MASONRY REINFORCING CORP. OR NATIONAL WIRE PRODUCT. PROVIDE LADDER TYPE REINFORCEMENT AT ALL EXTERIOR CMU FREESTANDING WALLS. REINFORCEMENT SHALL BE 2 INCH LESS THAN ANY WALL WIDTH.
- VENEER WALL TIES FOR METAL STUD WALLS SHALL BE A TO COMPONENT ASSEMBLY EQUAL TO DUR-O-WALL INCORPORATED DIA 213, 14 GAUGE REINFORCED STEEL PLATE WITH 3/16 INCH DIAMETER TIES ADJUSTABLE VENEER STUD ANCHOR AND PINTLE OR DUR-O-WALL INC. DIA 208 14 GAUGE BENT HOT DIPPED GALVANIZED WITH 3/16 INCH DIAMETER RECTANGULAR ADJUSTABLE TIES. USE SELF TAPPING CORROSION RESISTANT SCREWS.
- INSTALL MISCELLANEOUS ACCESSORIES SUCH AS 7" ANCHORS AND PRESSURE RELIEVING (D/A 210) PADS IN LOCATIONS AS RECOMMENDED BY THE BRICK INSTITUTE OF AMERICA.
- WEEP HOLE VENTILATORS AT GRADE LEVEL SHALL BE DUR-O-WALL CELL-VENT DIA 1006, WEEP TUBES WITH SCREENS AND WICKS FOR ALL AREAS EXCEPT GRADE LEVEL. AA WIRE PRODUCTS CO #AA223KW, 3/8" OD PLASTIC GALVANIZED WITH COPPER SCREENING AT FACE AND TWISTED ROPE WICKS INSERTED INTO TUBES AND EXTENDING A MINIMUM 6" AT BACK. (CAVITY) SIDE.
- LAI D BRICK IN BONDS INDICATED IN FULL MORTAR BED WITH CONCAVE TOOLING OR AS NOTED IN DRAWINGS. PROVIDE WEEP HOLES AT HEADS, SILLS IN SIMILAR LOCATIONS AT 24 INCHES ON CENTER HORIZONTALLY. CLEAN BRICK.



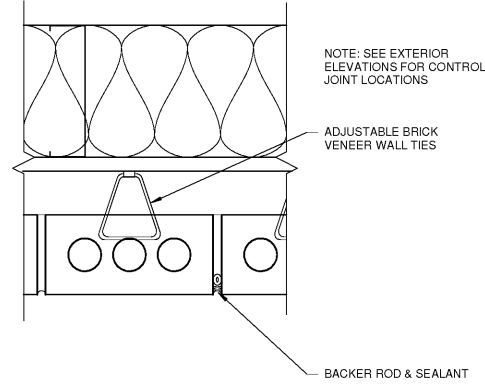
2 BAND FRAMING
A9.1 1 1/2" = 1'-0"



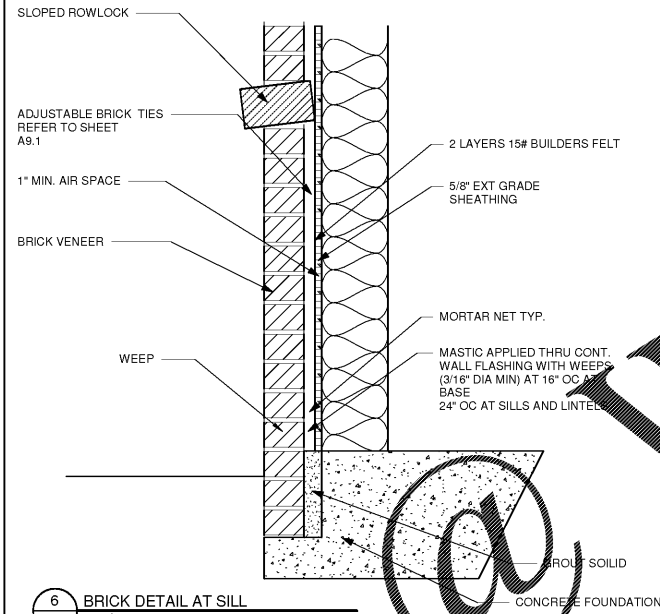
3 LED STRIP LIGHT AT BAND
A9.1 3" = 1'-0"



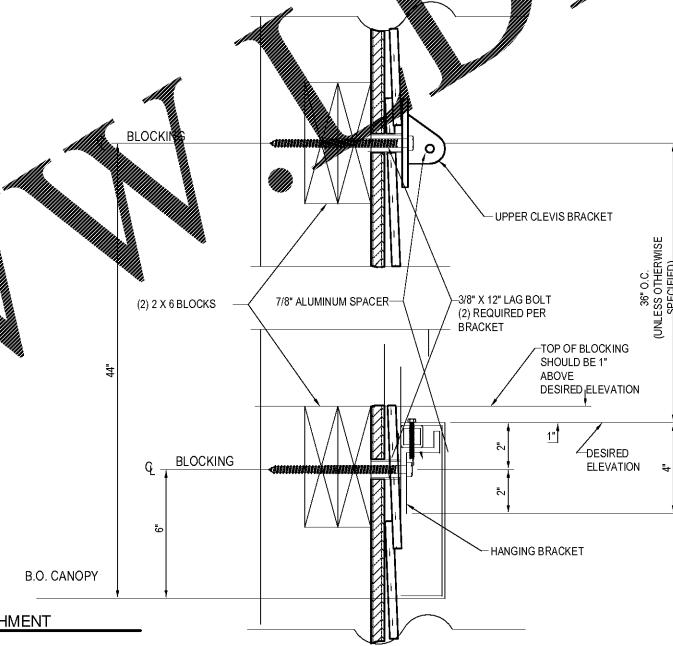
4 WALL DETAIL BRICK ATTACHMENT
A9.1 3" = 1'-0"



5 VERTICAL CONTROL JOINT IN BRICK
A9.1 3" = 1'-0"



6 BRICK DETAIL AT SILL
A9.1 1 1/2" = 1'-0"



7 CANOPY ATTACHMENT
A9.1 3" = 1'-0"

INSTALLATION INSTRUCTIONS

CEMENT BOARD SIDING OVER STUD WALL CONSTRUCTION

- DRILL 7/8" HOLE IN THE SIDING ONLY.
- INSERT 7/8" ALUM. SPACER.
- PUT A WASHER ON THE LAG BOLT.
- INSERT LAG BOLTS INTO THE STUDS AND/OR BLOCKING AND MAKE SURE BRACKETS ARE LEVEL BEFORE COMPLETELY TIGHTENING BOLTS.

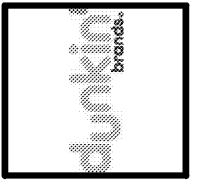
NOTES ABOUT BLOCKING: 1. ALL BLOCKING MUST BE SCREWED TOGETHER. 2. BLOCKING MUST BE RUN CONTINUOUS EVERYWHERE THERE ARE TRELLISES.

ENGINEERING NOTES:
BUILDING ENGINEER TO CHECK WALL STUDS FOR THE FOLLOWING LOADS:

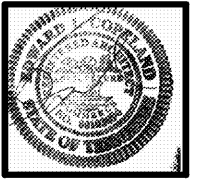
HORIZONTAL LOAD = 400 LBS.
VERTICAL LOAD = 300 LBS.

No.	Date	Description

Copyright © 2017 and all associated designs are the property of COPELAND ARCHITECTURE and shall be returned upon completion of work. Use or copy is permitted by contract only. Unauthorized use will be prosecuted.



A NEW DARK ROAST STORE
DUNKIN' DONUTS
for
SHULER DEVELOPMENT
STORE 357147
4880-4890 PORT ROYAL ROAD
SPRING HILL, TN 37174



DETAILS - EXTERIOR
EDWARD L. COPELAND, AIA
4511 CHAMBLEE DUNWOODY ROAD, SUITE E.1
ATLANTA, GEORGIA 30338
PH. 770.551.9525 FAX 770.551.9524
WWW.COPELANDARCHITECTURE.COM

DRAWN BY: RMG
CHECKED BY: ELC
DATE: 07/07/17
SCALE: AS NOTED
C.A. COMMISSION NUMBER 1704
SHEET NAME DETAILS - EXTERIOR
SHEET NUMBER A9.1

Order Plans