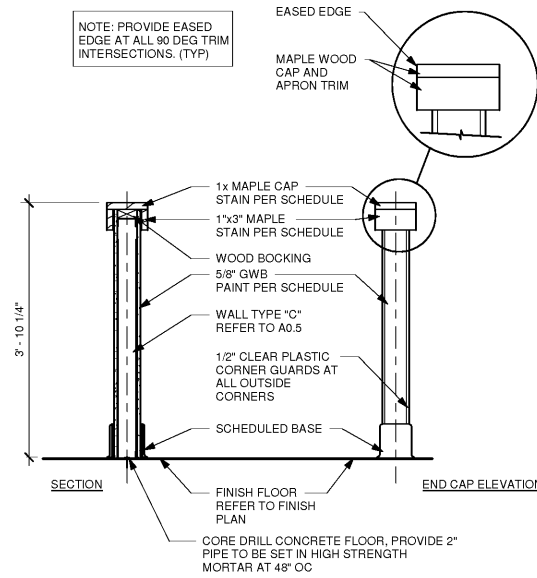
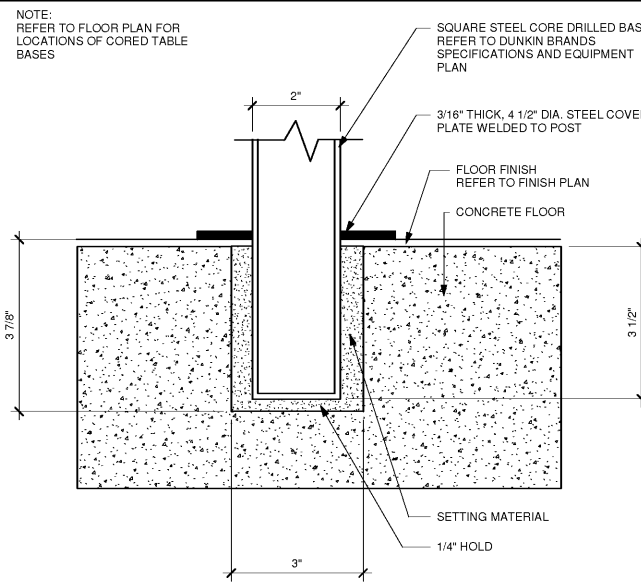


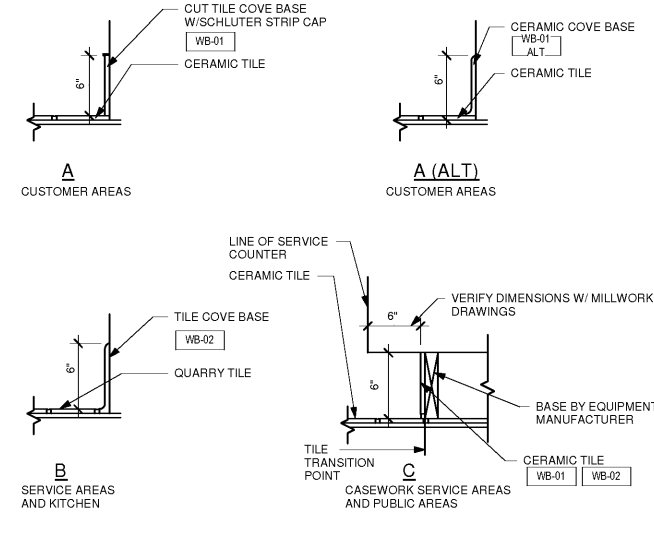
1 TYP DROPPED HEADER
A8.1 1 1/2" = 1'-0"



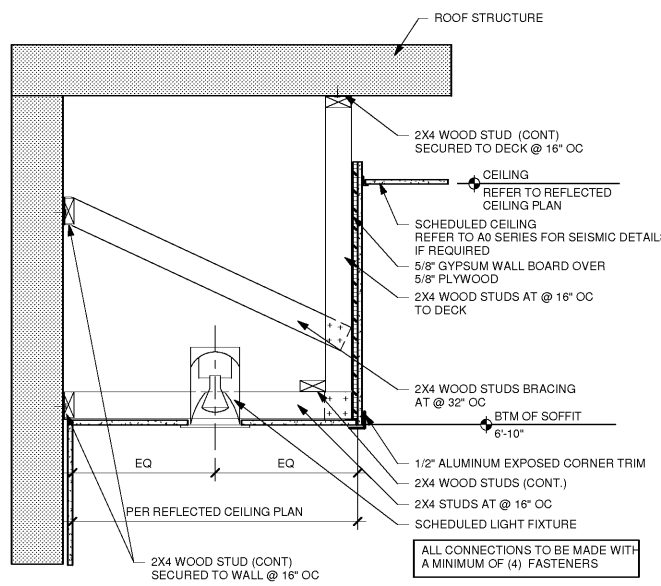
2 LOW WALL DETAIL
A8.1 3/4" = 1'-0"



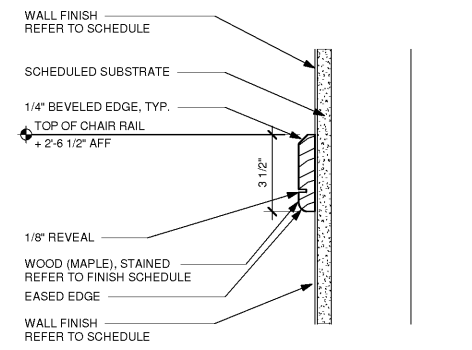
3 CORE DRILL TABLE BASE DETAIL (KNEE WALL SIMILAR)
A8.1 6" = 1'-0"



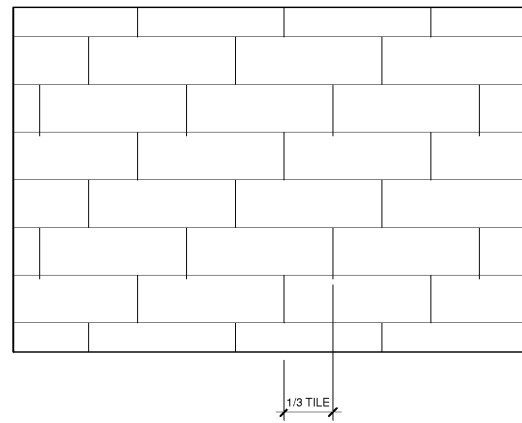
4 TILE BASE DETAIL
A8.1 N.T.S.



5 SOFFIT SECTION
A8.1 1" = 1'-0"



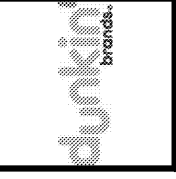
6 TABLE RAIL
A8.1 3" = 1'-0"



7 PLANK TILE STAGGER DETAIL
A8.1 1" = 1'-0"

No.	Date	Description

The Drawing and all associated designs are the property of COPELAND ARCHITECTURE and shall be returned upon completion of work. Use or copy is permitted by contract only. Unauthorized use will be prosecuted.



A NEW DARK ROAST STORE
DUNKIN' DONUTS
for
SHULER DEVELOPMENT
STORE 357147
4880-4890 PORT ROYAL ROAD
SPRING HILL, TN 37174



DETAILS - INTERIOR
EDWARD L. COPELAND, AIA
4511 CHAMBLEE DUNWOODY ROAD, SUITE E-1
ATLANTA, GEORGIA 30338
PH. 770.551.9525 FAX 770.551.9524
WWW.COPELANDARCHITECTURE.COM

DRAWN BY:
RMG
CHECKED BY:
ELC
DATE:
07/07/17
SCALE:
AS NOTED
C.A. COMMISSION NUMBER
1704

SHEET NAME
DETAILS - INTERIOR
SHEET NUMBER
A8.1