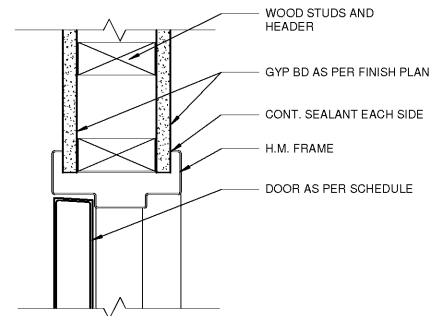
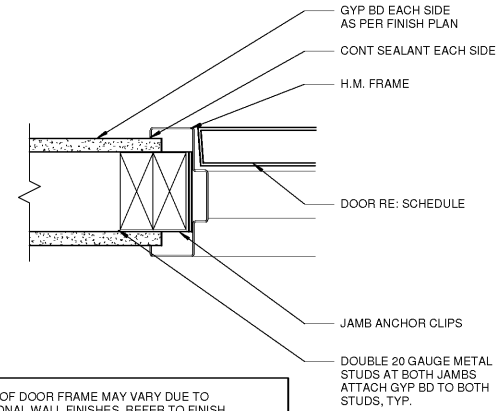


1 STUD FRAMING AT H.M. FRAMES
1 1/2" = 1'-0"

WIDTH OF DOOR FRAME MAY VARY DUE TO ADDITIONAL WALL FINISHES. REFER TO FINISH SCHEDULE FOR ACTUAL WALL CONDITIONS

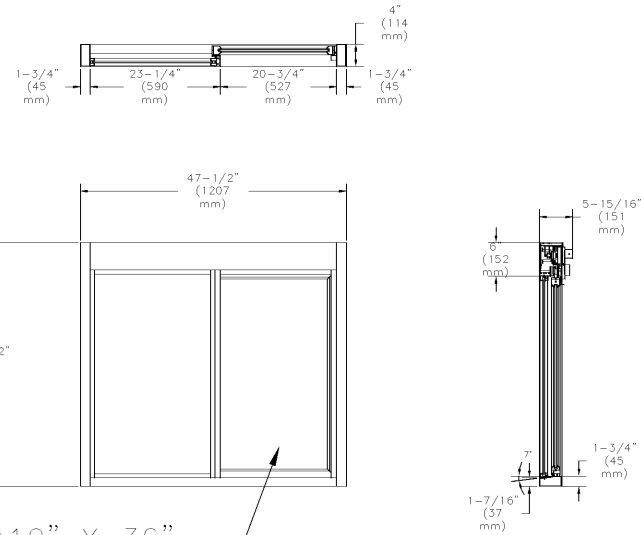
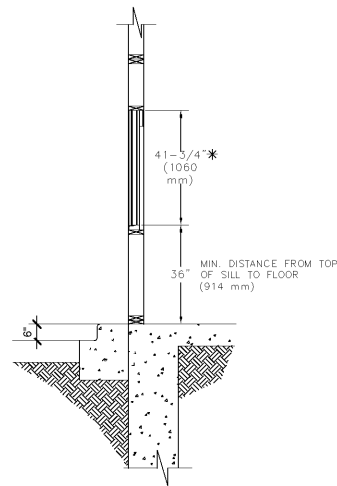


2 TYPICAL INTERIOR H.M. DOOR HEAD DETAIL
3" = 1'-0"

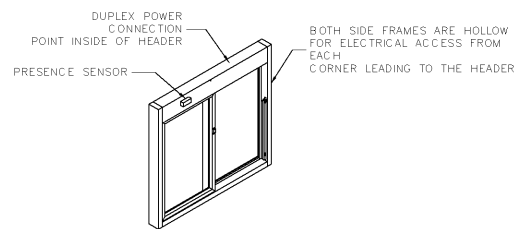


WIDTH OF DOOR FRAME MAY VARY DUE TO ADDITIONAL WALL FINISHES. REFER TO FINISH SCHEDULE FOR ACTUAL WALL CONDITIONS

3 TYPICAL INTERIOR H.M. DOOR JAMB
3" = 1'-0"



*19" X 36" SERVICE OPENING



ELECTRICAL REQUIREMENTS
USA (DOMESTIC) : 115 vdc - 60 Hz WITH A 15 amp BRANCH CIRCUIT
INTERNATIONAL : 220/240 vdc - 50/60 Hz WITH A MAX. 8 amp BRANCH CIRCUIT

275 - 43-1/2" H
GLAZING ROUGH OPENING = 42-3/4" W (1213 mm) x 43-3/4" H (1111 mm)
MASONRY ROUGH OPENING = 48" W (1219 mm) x 44" H (1118 mm)

UNIT SPECIFICATIONS:
104/120 VOLTS
3 ACTUAL UNIT AMPS
60 HZ

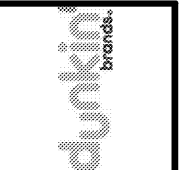
* TWO STANDARD WINDOW HEIGHTS.
43-1/2" H WITH 19" W x 36" H SERVICE OPENING
35-3/4" H WITH 19" W x 28" H SERVICE OPENING

275-E

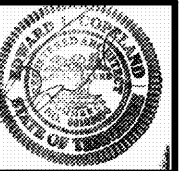
5 READY ACCESS 275-E
3/8" = 1'-0"

No.	Date	Description

The Drawing and all associated designs are the property of COPELAND ARCHITECTURE and shall be returned upon completion of work. Use or copy is permitted by contract only. Unauthorized use will be prosecuted.



A NEW DARK ROAST STORE
DUNKIN' DONUTS
for
SHULER DEVELOPMENT
STORE 357147
4880-4890 PORT ROYAL ROAD
SPRING HILL, TN 37174



DOOR / WINDOW DETAILS
EDWARD L. COPELAND, AIA
4511 CHAMBLEE DUNWOODY ROAD, SUITE E-1
ATLANTA, GEORGIA 30338
PH. 770.551.9525 FAX 770.551.9524
WWW.COPELANDARCHITECTURE.COM

DRAWN BY: RMG
CHECKED BY: ELC
DATE: 07/07/17
SCALE: AS NOTED
C.A. COMMISSION NUMBER 1704
SHEET NAME DOOR / WINDOW DETAILS
SHEET NUMBER

A7.2