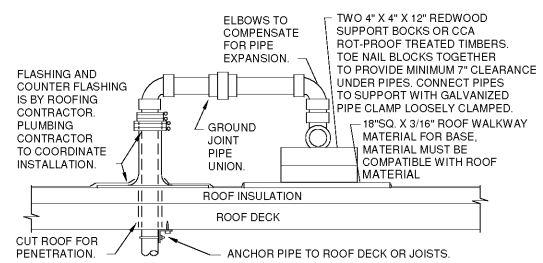
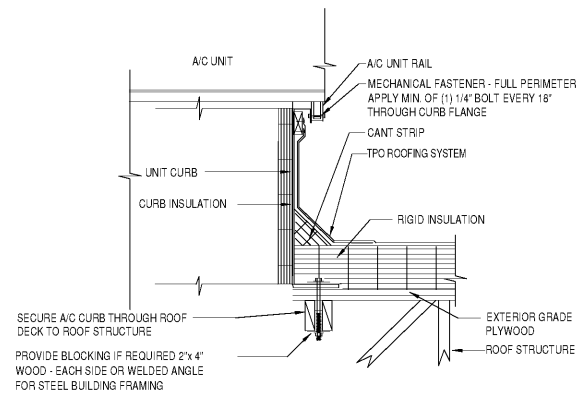


1 EXHAUST PIPING PENETRATION2
A2.2 N.T.S.



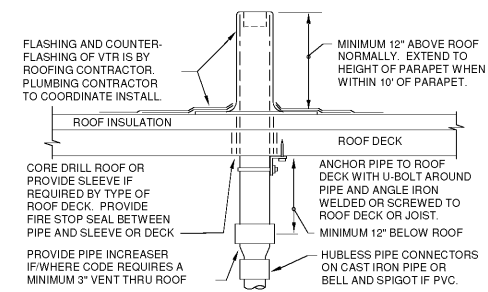
- REFER TO PLANS FOR PIPE SIZE(S) AND LOCATION(S). USE WELDED OR SCREWED FITTINGS AS SPECIFIED FOR PIPE SIZE. LOCATE PENETRATION MINIMUM 18" FROM ADJACENT WALLS, EQUIPMENT CURBS, PARAPETS, EXPANSION JOINTS, ETCETERA.
- LOCATE SUPPORTS AT THE FOLLOWING SPACING: 1'-12" @ 1'-11 1/4" @ 8", 1" @ 7" & 3/4" @ 6". PROVIDE SUPPORTS AS CLOSE AS POSSIBLE TO EACH ELBOW AND TEE.

2 ROOF PENETRATION DETAIL
A2.2 N.T.S.



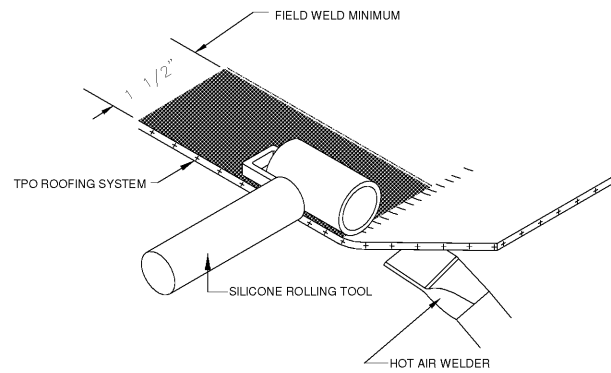
- SECURE A/C CURB THROUGH ROOF DECK TO ROOF STRUCTURE
- PROVIDE BLOCKING IF REQUIRED 2"x4" WOOD - EACH SIDE OR WELDED ANGLE FOR STEEL BUILDING FRAMING

3 RTU CURB DETAIL
A2.2 N.T.S.



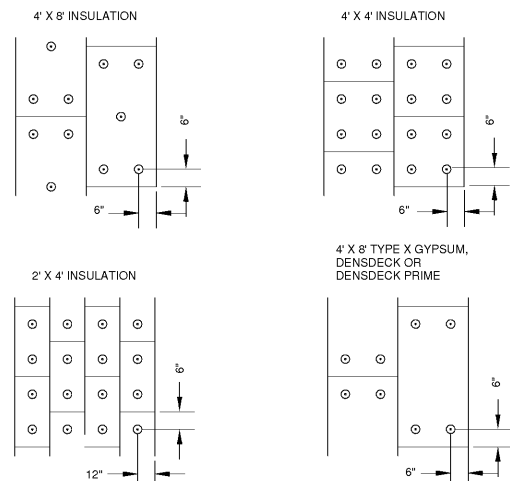
- REFER TO PLANS FOR VTR PIPE SIZES AND LOCATIONS. LOCATE VTR MINIMUM THREE FEET FROM PROPERTY LINE, OR TEN FEET HORIZONTAL OR THREE FEET VERTICAL ABOVE ANY BUILDING OPENING OR FRESH AIR INTAKE, OR ONE FOOT FROM ANY VERTICAL SURFACE. LOCATE VTR MINIMUM 18" FROM PARAPET, EXPANSION JOINT, EQUIPMENT CURB, ETC. OFFSET IN CEILING SPACE WHERE REQUIRED TO MEET THESE CONDITIONS.

4 VENT THRU ROOF1
A2.2 N.T.S.



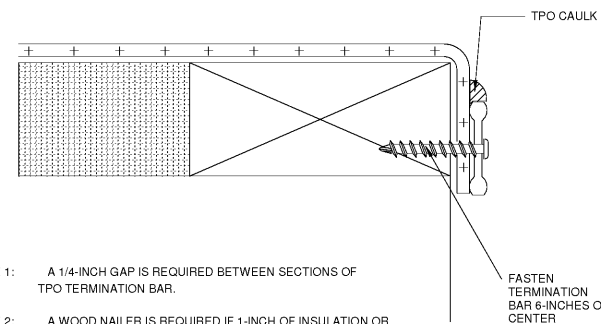
NOTE: AFTER ANY FIELD SEAM IS COMPLETED, IT MUST BE PROBED TO ENSURE THAT A SECURE WELD HAS BEEN MADE

5 ROOF MEMBRANE - SEAMING DETAIL
A2.2 N.T.S.



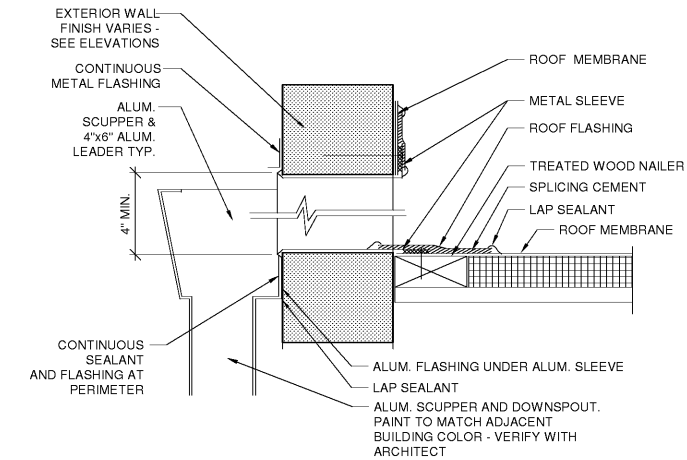
- NOTE 1: STAGGER SHEETS 50% FROM ROW TO ROW FOR EFFECTIVE FASTENING
- NOTE 2: THESE FASTENING PATTERNS ARE TO BE USED WITH MECHANICALLY FASTENED SYSTEMS ONLY

6 ROOF MEMBRANE - INSULATION & RECOVERY BOARD FASTENING1
A2.2 N.T.S.

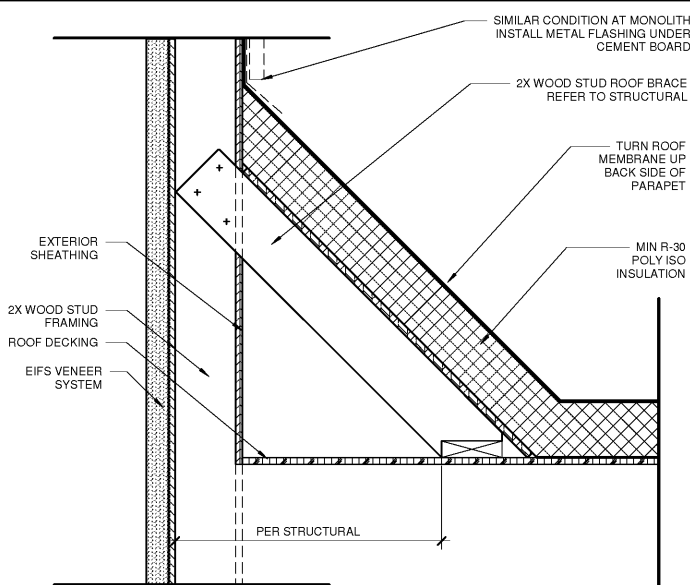


- NOTE 1: A 1/4-INCH GAP IS REQUIRED BETWEEN SECTIONS OF TPO TERMINATION BAR.
- NOTE 2: A WOOD NAILER IS REQUIRED IF 1-INCH OF INSULATION OR GREATER IS USED. TOP OF WOOD NAILER TO BE FLUSH WITH TOP OF INSULATION. FASTENERS USED TO ATTACH WOOD NAILERS SHALL BE SPACED NO GREATER THAN 18-INCHES ON CENTER.
- NOTE 3: THE MEMBRANE IS TO BE BACK-SEALED USING TPO CAULK OR STRIP MASTIC.

7 ROOF MEMBRANE - TERMINATION BAR1
A2.2 N.T.S.



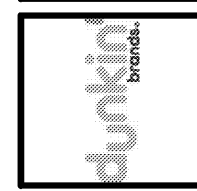
8 DETAIL AT SCUPPER
A2.2 N.T.S.



9 ROOF KICKER DETAIL
A2.2 1 1/2" = 1'-0"

No.	Date	Description

This Drawing and all associated designs are the property of COPELAND ARCHITECTURE and shall be returned upon completion of work. Use or copy is permitted by contract only. Unauthorized use will be prosecuted.



A NEW DARK ROAST STORE
DUNKIN' DONUTS
for
SHULER DEVELOPMENT
STORE 357147
4880-4890 PORT ROYAL ROAD
SPRING HILL, TN 37174



ROOF DETAILS
EDWARD L. COPELAND, AIA
4511 CHAMBLEE DUNWOODY ROAD, SUITE E-1
ATLANTA, GEORGIA 30338
PH. 770.951.9525 FAX 770.551.9524
WWW.COPELANDARCHITECTURE.COM

DRAWN BY: RMG
CHECKED BY: ELC
DATE: 07/07/17
SCALE: AS NOTED
C.A. COMMISSION NUMBER 1704
SHEET NAME ROOF DETAILS

SHEET NUMBER
A2.2

RELEASED FOR CONSTRUCTION