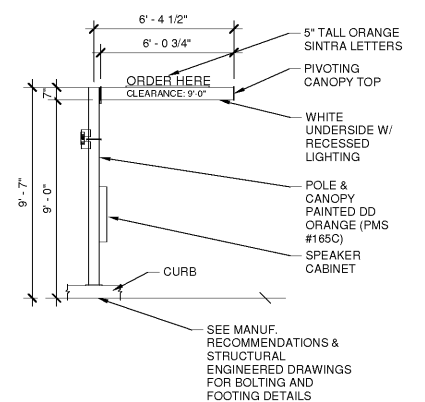


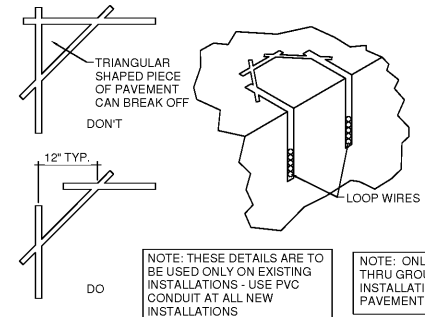
REFER TO SITE PLAN FOR LOCATIONS

1 BOLLARD DETAIL
AS2.1 N.T.S.



SEE MANUF. RECOMMENDATIONS & STRUCTURAL ENGINEERED DRAWINGS FOR BOLTING AND FOOTING DETAILS

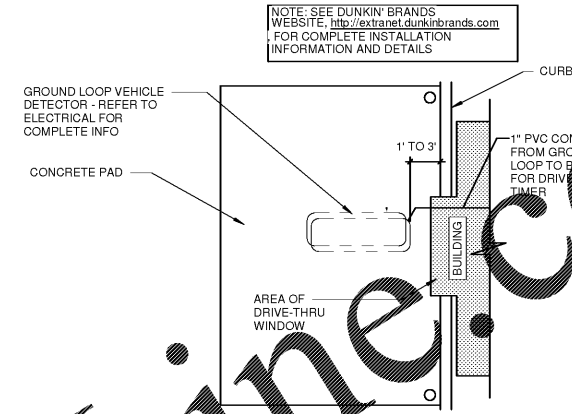
2 DD DRIVE THRU CANOPY
AS2.1 N.T.S.



NOTE: THESE DETAILS ARE TO BE USED ONLY ON EXISTING INSTALLATIONS - USE PVC CONDUIT AT ALL NEW INSTALLATIONS

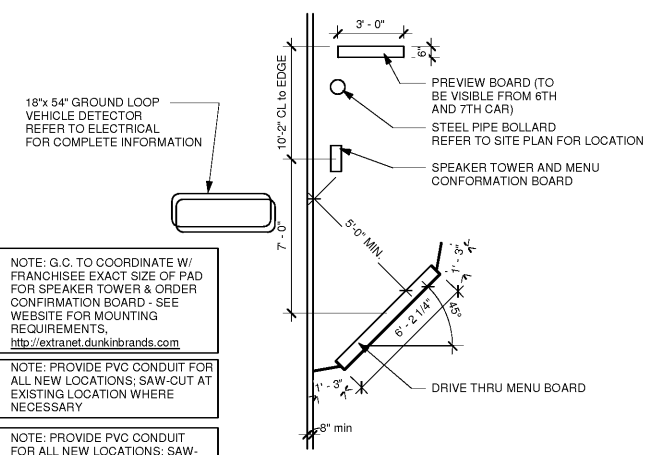
NOTE: ONLY USED FOR DRIVE THRU GROUND LOOP INSTALLATIONS IN EXISTING PAVEMENT

3 SAW CUT DETAIL
AS2.1 N.T.S.



NOTE: PROVIDE PVC CONDUIT FOR ALL NEW LOCATIONS; SAW-CUT AT EXISTING LOCATION WHERE NECESSARY

4 DRIVE THRU TIMER AT WINDOW
AS2.1 1/4\"/>

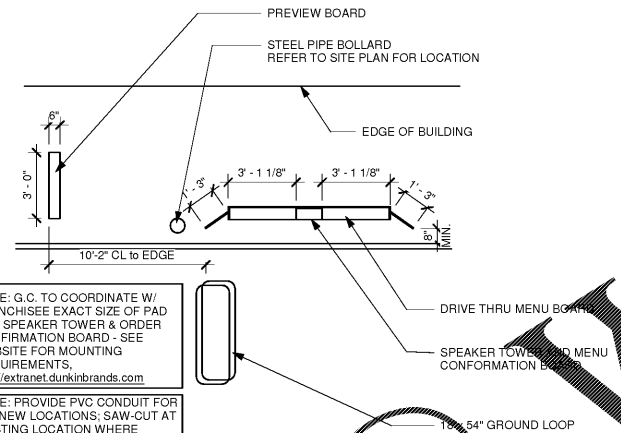


NOTE: G.C. TO COORDINATE W/ FRANCHISEE EXACT SIZE OF PAD FOR SPEAKER TOWER & ORDER CONFIRMATION BOARD - SEE WEBSITE FOR MOUNTING REQUIREMENTS. <http://extranet.dunkinbrands.com>

NOTE: PROVIDE PVC CONDUIT FOR ALL NEW LOCATIONS; SAW-CUT AT EXISTING LOCATION WHERE NECESSARY

NOTE: PROVIDE PVC CONDUIT FOR ALL NEW LOCATIONS; SAW-CUT AT EXISTING LOCATION WHERE NECESSARY

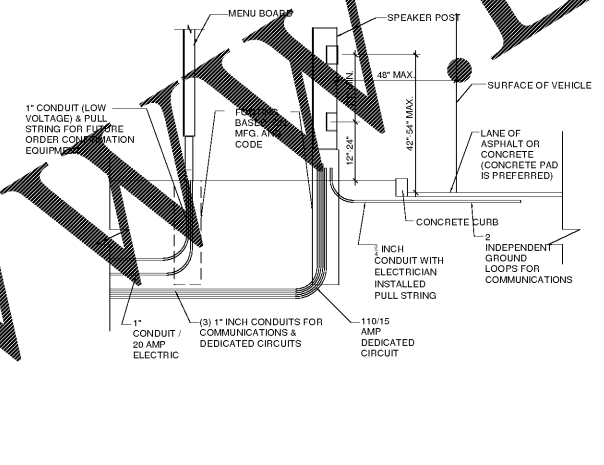
5 MENU BOARD DETAIL
AS2.1 1/4\"/>



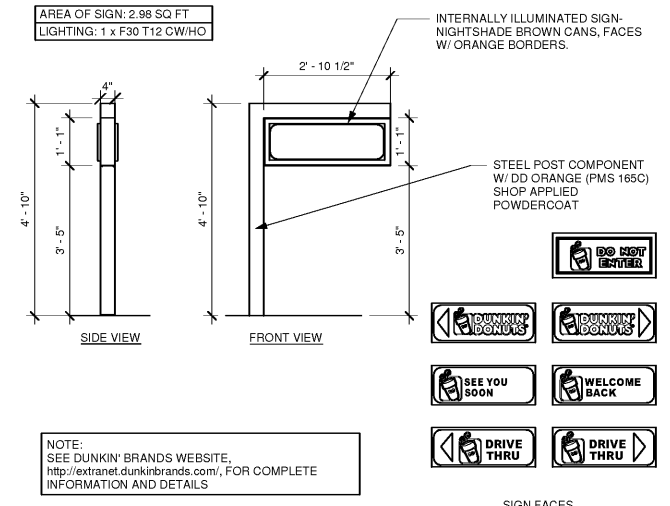
NOTE: G.C. TO COORDINATE W/ FRANCHISEE EXACT SIZE OF PAD FOR SPEAKER TOWER & ORDER CONFIRMATION BOARD - SEE WEBSITE FOR MOUNTING REQUIREMENTS. <http://extranet.dunkinbrands.com>

NOTE: PROVIDE PVC CONDUIT FOR ALL NEW LOCATIONS; SAW-CUT AT EXISTING LOCATION WHERE NECESSARY

6 MENU BOARD DETAIL ALTERNATE
AS2.1 1/4\"/>



7 DRIVE THRU MENU SECTION
AS2.1 1:45



NOTE: SEE DUNKIN BRANDS WEBSITE, <http://extranet.dunkinbrands.com/>, FOR COMPLETE INFORMATION AND DETAILS

8 DUNKIN DIRECTIONAL SIGNAGE
AS2.1 1/2\"/>

DRIVEWAY STENCIL

Kit includes 3mm Stencil

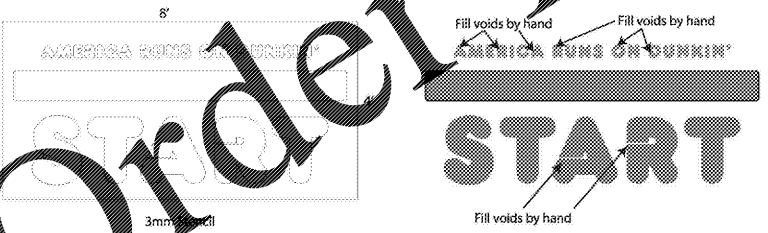
The DRIVEWAY STENCIL comes in one piece that is unrolled and placed on desired location.

Using "Duct Tape", secure the STENCIL to the desired location. Make sure STENCIL is straight and centered.

Once location is determined paint using appropriate colors specified below.

AMERICA RUNS ON DUNKIN segment -- ORANGE, PMS 165c
START -- PINK PMS 219c
STARTING LINE -- WHITE

After stencil is removed and letters are painted, go back and touch up and the voids in certain letters left by the stencil.



9 AMERICA RUNS ON DUNKIN SITE GRAPHIC
AS2.1 1/16\"/>

TRAFFIC STRIPING PAINT SCHEDULE

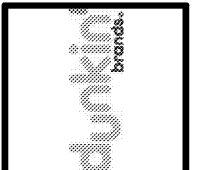
CODE	MATERIAL	MANUFACTURER	PSPPRODUCT	DESCRIPTION
TP-01	PAINT	SHERWIN WILLIAMS	PRO PARK	WHITE - B97WD2434
TP-02	PAINT	SHERWIN WILLIAMS	PRO PARK	BLUE - B97LD2022
TP-03	PAINT	SHERWIN WILLIAMS	PRO PARK	YELLOW - B97YD2467
TP-04	PAINT	SHERWIN WILLIAMS	PRO PARK	ORANGE CUSTOM MIX B97YD2467 - SEE BELOW
TP-05	PAINT	SHERWIN WILLIAMS	PRO PARK	PINK CUSTIN MIX B97RD2012 - SEE BELOW

TP-04	CCE* COLORANT	OZ	32	64	128
	W1-WHITE	--	6	1	--
	R4-NEW RED	4	53	1	--
	Y3-DEEP GOLD	--	06	--	1

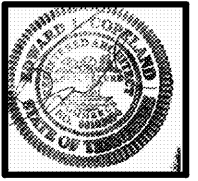
TP-05	CCE* COLORANT	OZ	32	64	128
	W1-WHITE	6	--	--	--
	L1-BLUE	--	6	--	--

No.	Date	Description

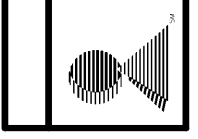
Design and all associated design are the property of COPELAND ARCHITECTURE and shall be returned upon completion of work. Use or copy is permitted by contract only. Unauthorized use will be prosecuted.



A NEW DARK ROAST STORE
DUNKIN' DONUTS
for
SHULER DEVELOPMENT
STORE 357147
4880-4890 PORT ROYAL ROAD
SPRING HILL, TN 37174



SITE DETAILS
EDWARD L. COPELAND, AIA
4511 CHAMBLEE DUNWOODY ROAD, SUITE E-1
ATLANTA, GEORGIA 30338
PH. 770.951.9525 FAX 770.551.9524
WWW.COPELANDARCHITECTURE.COM



DRAWN BY: RMG
CHECKED BY: ELC
DATE: 07/07/17
SCALE: AS NOTED
C.A. COMMISSION NUMBER 1704
SHEET NAME SITE DETAILS

SHEET NUMBER

AS2.1