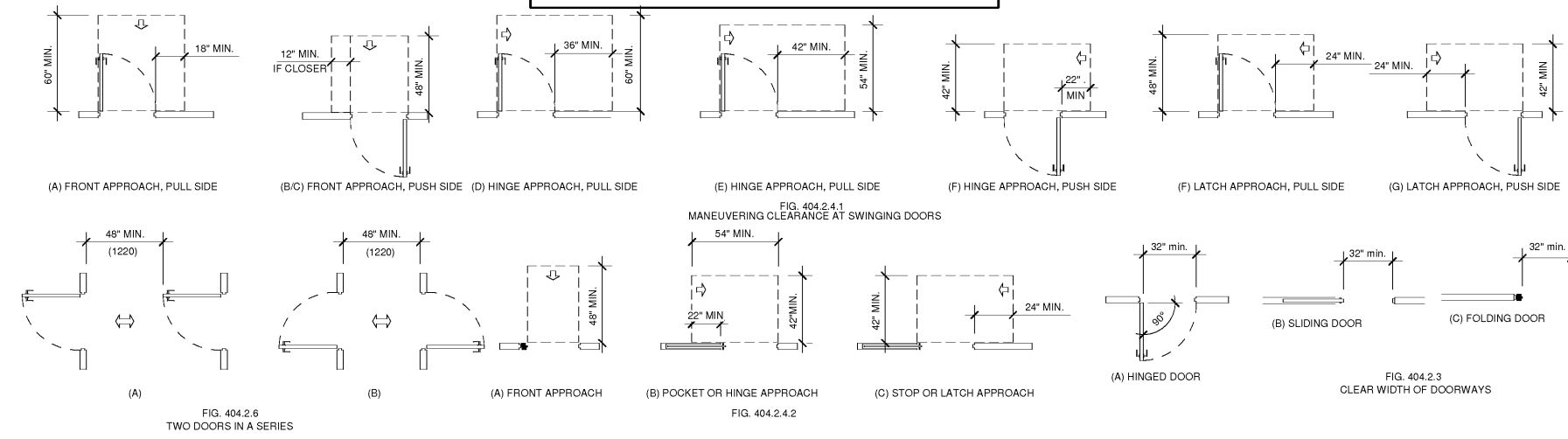
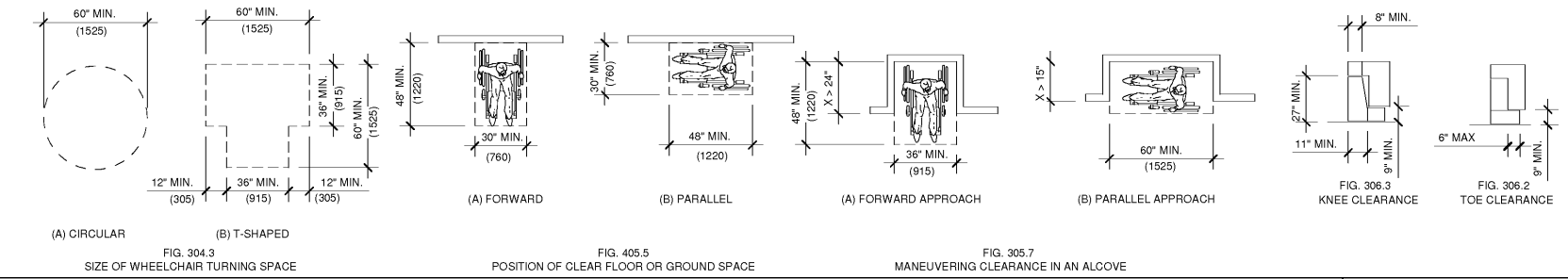


**DOORS AND DOORWAYS**

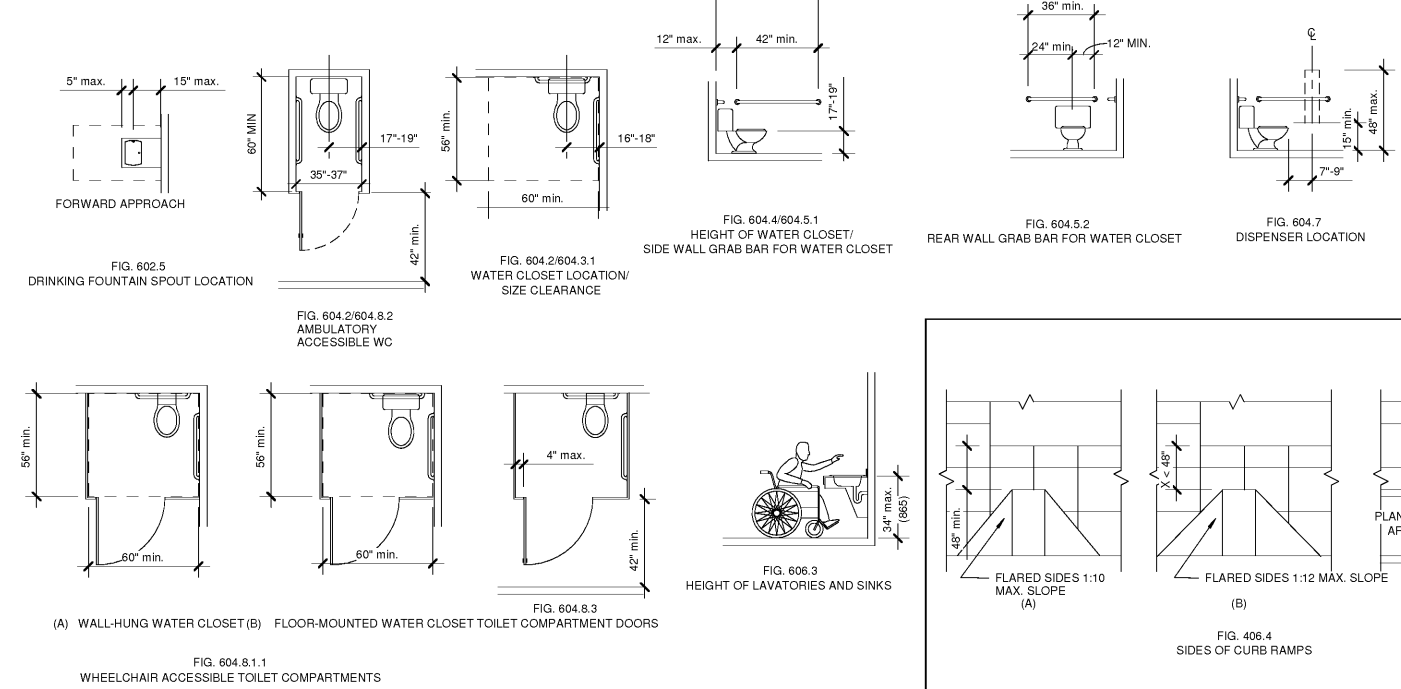
NOTE THIS IS A PARTIAL DISPLAY OF THE 2010 ADA STANDARDS FOR ACCESSIBLE DESIGN. A FULL VERSION OF THE PUBLICATION CAN BE DOWNLOADED OR VIEWED AT [www.ADA.gov](http://www.ADA.gov)



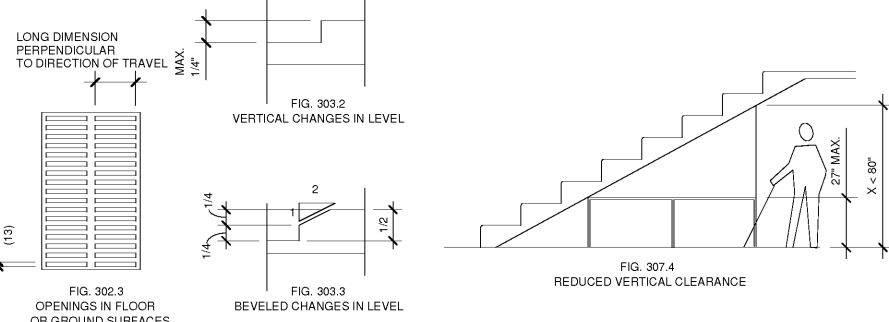
**CLEAR FLOOR SPACE**



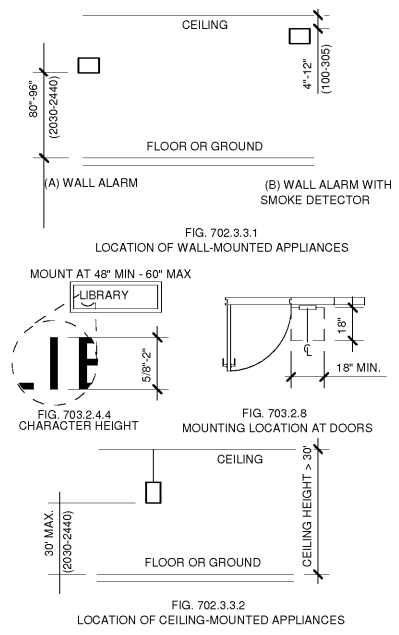
**PLUMBING ELEMENTS AND FACILITIES**



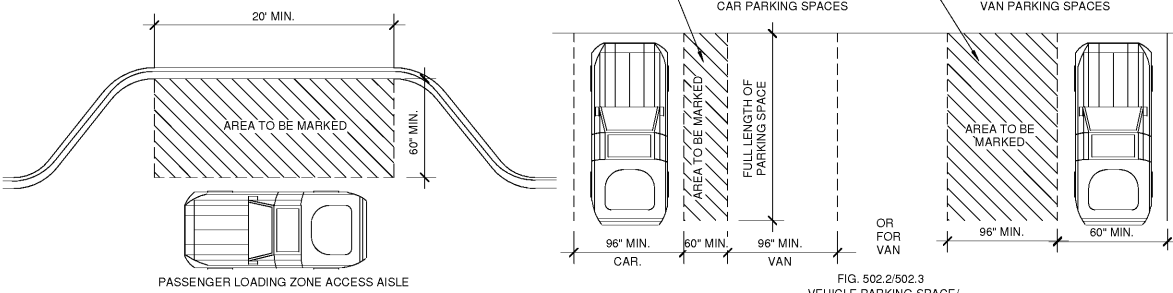
**BUILDING BLOCKS**



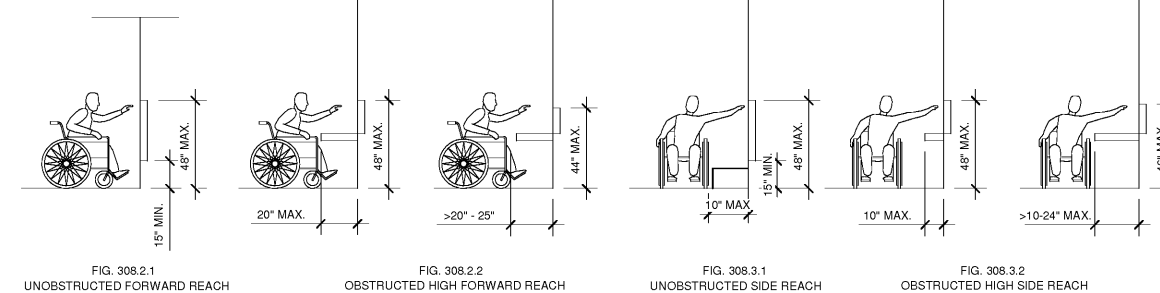
**COMMUNICATION ELEMENTS AND FEATURES**



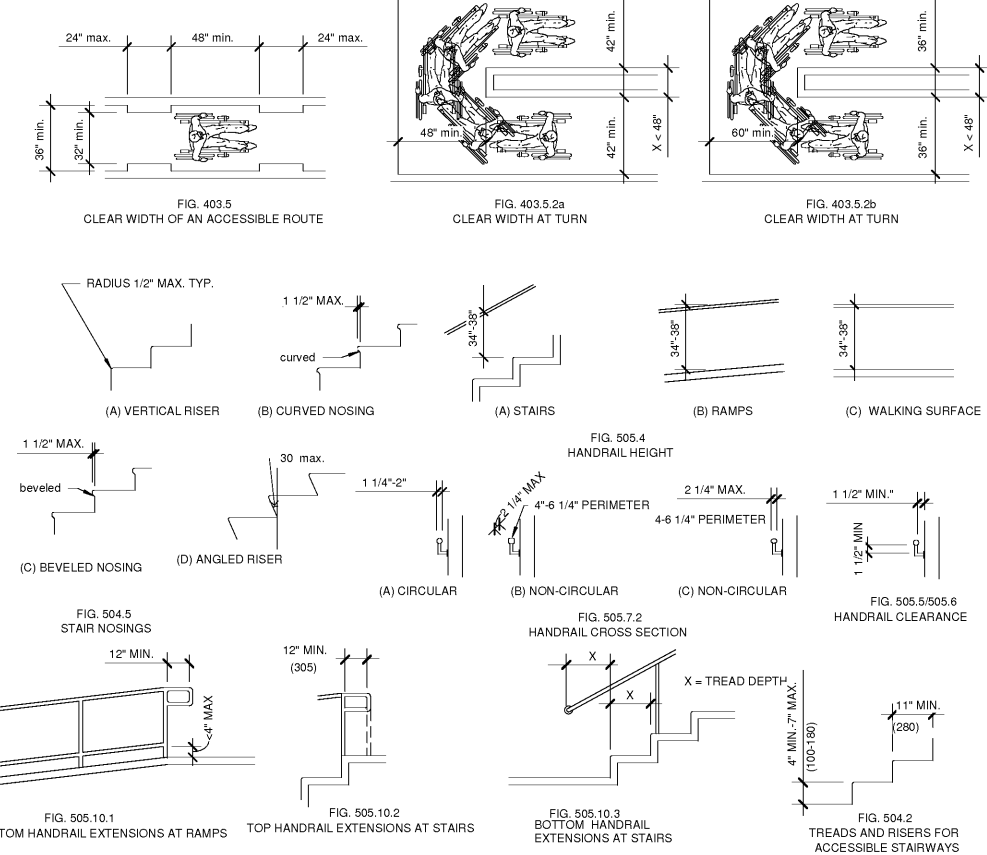
**GENERAL SITE AND BUILDING ELEMENTS**



**REACH RANGES**

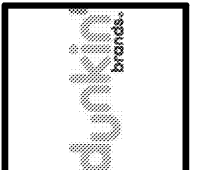


**ACCESSIBLE ROUTES**

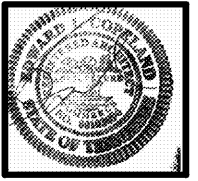


No.	Date	Description

This Drawing and all associated designs are the property of COPELAND ARCHITECTURE and shall be returned upon completion of work. Use or copy is permitted by contract only. Unauthorized use will be prosecuted.



**A NEW DARK ROAST STORE  
DUNKIN' DONUTS  
for  
SHULER DEVELOPMENT  
STORE 357147  
4880-4890 PORT ROYAL ROAD  
SPRING HILL, TN 37174**



**ACCESSIBILITY DETAILS**  
**EDWARD L. COPELAND, AIA**  
4511 CHAMBLEE DUNWOODY ROAD, SUITE E-1  
ATLANTA, GEORGIA 30338  
PH. 770.551.9525 FAX 770.551.9524  
[WWW.COPELANDARCHITECTURE.COM](http://WWW.COPELANDARCHITECTURE.COM)

DRAWN BY: RMG
CHECKED BY: ELC
DATE: 07/07/17
SCALE: AS NOTED
C.A. COMMISSION NUMBER 1704
SHEET NAME ACCESSIBILITY DETAILS
SHEET NUMBER

**A0.4**

RELEASED FOR CONSTRUCTION