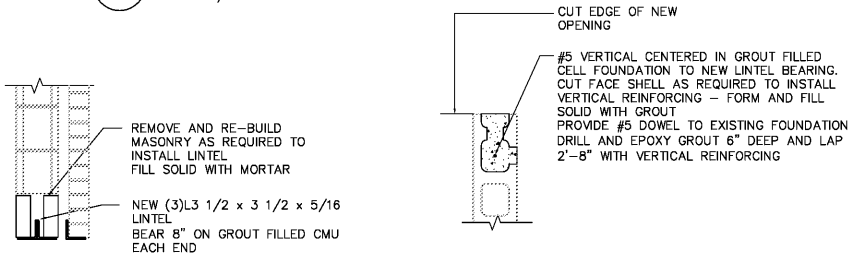


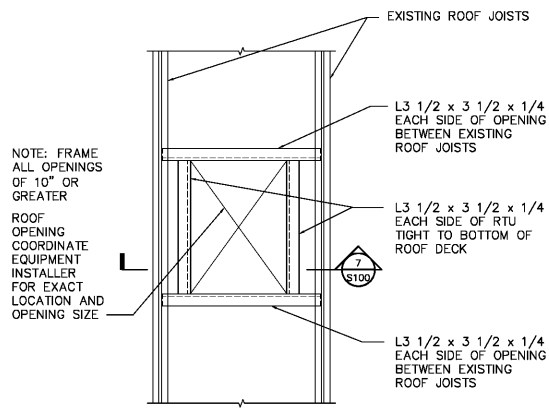
LINTEL TYPE	LINTEL
L1	8" WIDE x 8" TALL GROUT FILLED BOND BEAM WITH 1 #5 BOTTOM CONT. VENEER LOOSE LINTEL L 3 1/2 x 3 1/2 x 5/16
L2	8" WIDE x 8" TALL GROUT FILLED BOND BEAM WITH 2 #5 BOTTOM CONT. VENEER LOOSE LINTEL L 5 x 3 1/2 x 5/16 (LLV)
L3	(3) L 3 1/2 x 3 1/2 x 5/16 SEE DETAIL 4/S100
L4	8" WIDE x 8" TALL GROUT FILLED BOND BEAM WITH 2 #5 BOTTOM CONT.

- NOTES:
- PROVIDE 16" BEARING ON MASONRY EACH END FOR CMU BOND BEAMS.
 - PROVIDE 8" BEARING ON MASONRY EACH END FOR STEEL VENEER SUPPORT ANGLES.

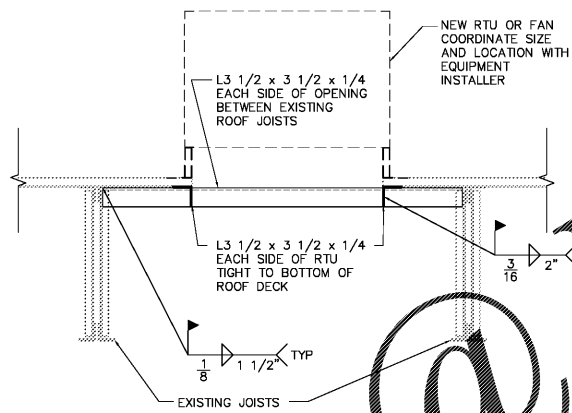
3 LINTEL SCHEDULE
S100 SCALE: 3/4" = 1'-0"



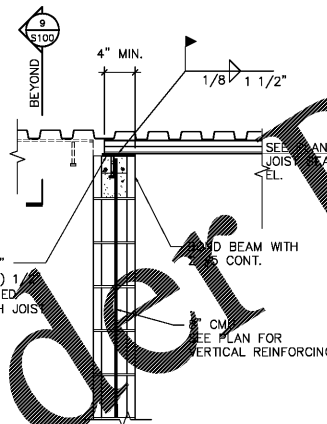
4 LINTEL L3 DETAIL
S100 3/4"=1'-0"



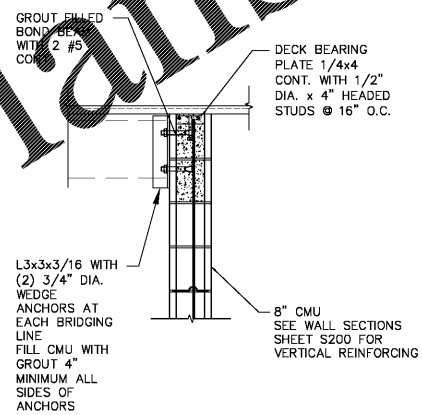
5 TYPICAL LINTEL L3 OPENING JAMB PLAN DETAIL
S100 NTS



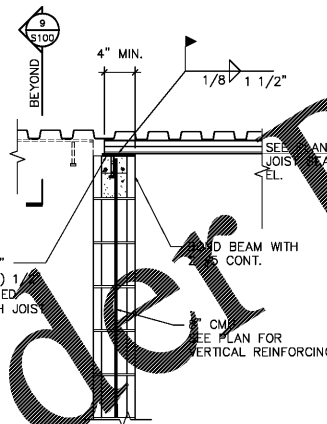
6 PLAN DETAIL AT NEW ROOF OPENING
S100 NTS



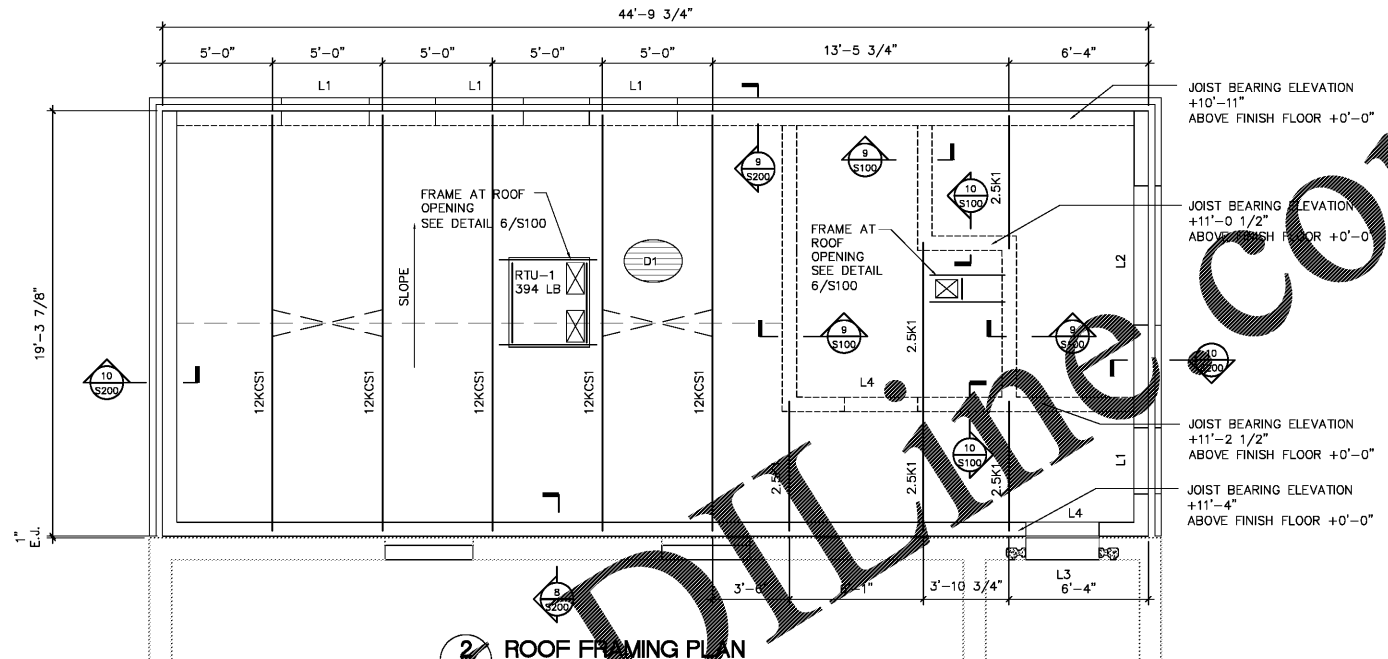
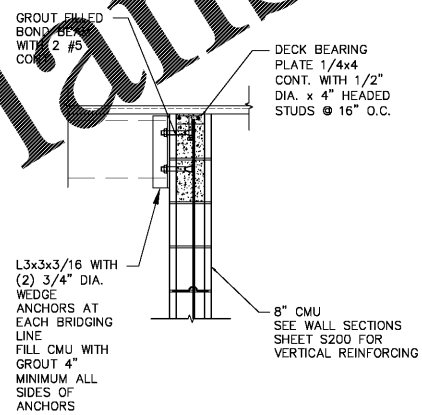
7 SECTION AT NEW ROOF OPENING
S100 SCALE: 3/4"=1'-0"



8 2.5K JOIST BEARING DETAIL
S100 SCALE: 3/4" = 1'-0"

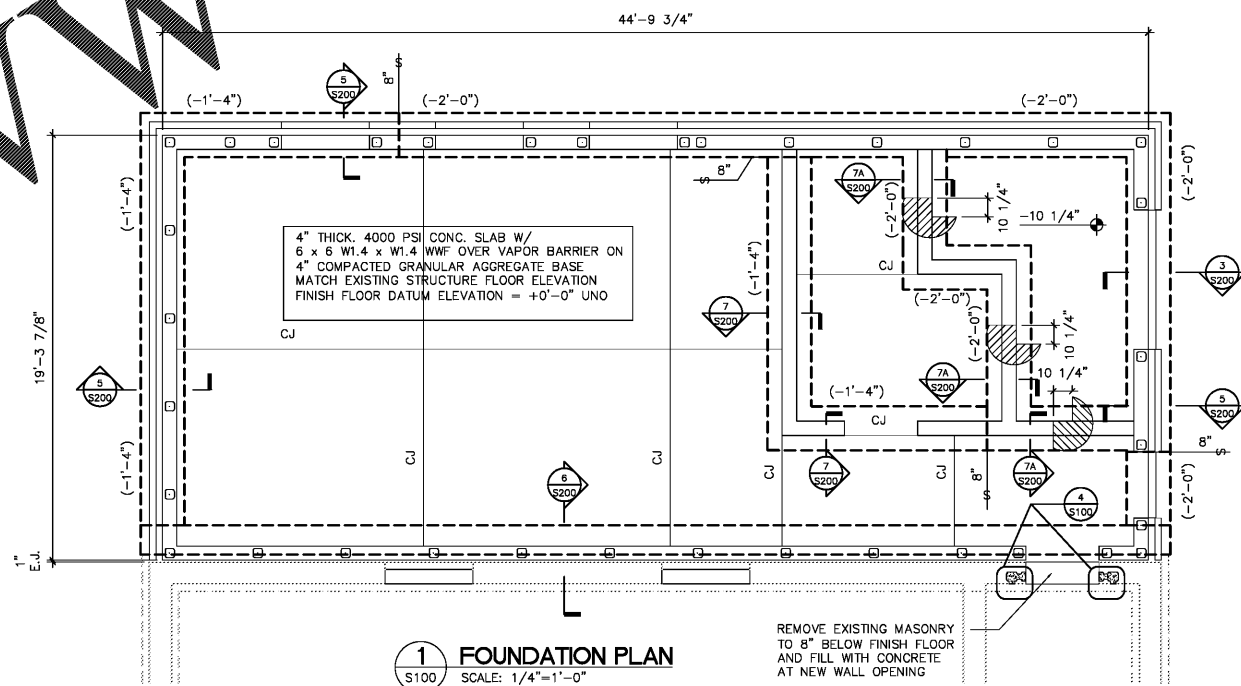


9 TYPICAL ROOF DECK BEARING DETAIL
S100 SCALE: 3/4"=1'-0"



2 ROOF FRAMING PLAN
SCALE: 1/4"=1'-0"

- ROOF FRAMING PLAN LEGEND:
- 1 1/2" x 22 GA TYPE B PAINTED METAL DECK, FASTEN TO ALL SUPPORTS AND AT PERIMETER OF ROOF WITH 5/8" DIA. PUDDLE WELDS AT SIDE LAPS AND SPACED @ 12" O.C. (36/4). FASTEN SIDE LAPS WITH (1) #10 SCREW @ MID-POINT BETWEEN SUPPORTS.
 - INDICATES LINTEL TYPE SEE SCHEDULE 3/S100



1 FOUNDATION PLAN
S100 SCALE: 1/4"=1'-0"

- FOUNDATION PLAN NOTES:
- SEE ARCHITECTURAL DRAWINGS FOR MASONRY DIMENSIONS AND WALL OPENINGS.
 - FIELD VERIFY EXISTING FOUNDATION CONDITIONS.
 - TOP OF PERIMETER FOOTINGS ELEVATION = (-1'-4") TYPICAL U.N.O.

- FOUNDATION PLAN LEGEND:
- CJ INDICATES CONSTRUCTION JOINT OR SAWED CONTRACTION JOINT IN SLAB ON GRADE. SEE DETAILS 1/S200 AND 2/S200.
 - (-1'-4") INDICATES TOP OF FOOTING REFERENCE ELEVATION BELOW FINISH FLOOR
 - 8" INDICATES FOOTING STEP - SEE DETAIL 4/S200

1. THIS DRAWING IS THE PROPERTY OF ALR ARCHITECTURE, P.A. AND IS NOT TO BE REPRODUCED OR COPIED IN WHOLE OR IN PART. IT IS NOT TO BE USED ON ANY OTHER PROJECT AND IS TO BE RETURNED ON REQUEST.

2. MATERIALS, DIMENSIONS AND ALL OTHER CONDITIONS WHICH ARE NOT OTHERWISE DEFINED ON THIS DRAWING SHALL BE CONSIDERED AS HAVING THE SAME MEANING AS SIMILAR INDICATED CONDITIONS WHICH ARE MORE FULLY DEFINED ELSEWHERE ON THIS PROJECT OR IN DRAWINGS FOR THIS PROJECT.

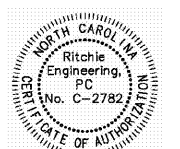
Revisions	No.	Date	Descrip.

ADDITION FOR
City of Charlotte
Engineering & Property Management
CFD
FIRE STATION 15
3617 FRONTENAC AVENUE
CHARLOTTE, NC 28215

ISSUED FOR REVIEW
3-29-17
NOT FOR CONSTRUCTION



Ritchie Engineering, P.C.
3023 Markworth Avenue
Charlotte, NC 28210
704.351.3313



ALR
Architectural
517 EAST BLVD.
SUITE 100
CHARLOTTE, NC 28203
PHONE: 704.348.2999
FAX: 704.348.9399

FOUNDATION AND ROOF FRAMING PLANS

SHEET TITLE:	
SHEET NUMBER:	S100
PROJECT#	1609.05
DATE:	07/25/2017

CD