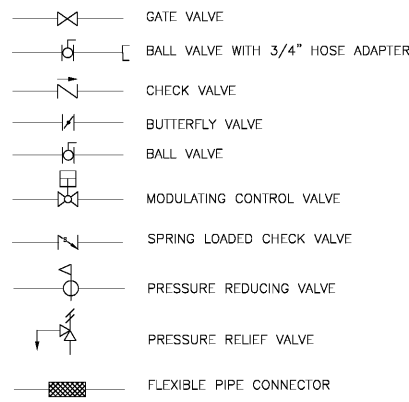




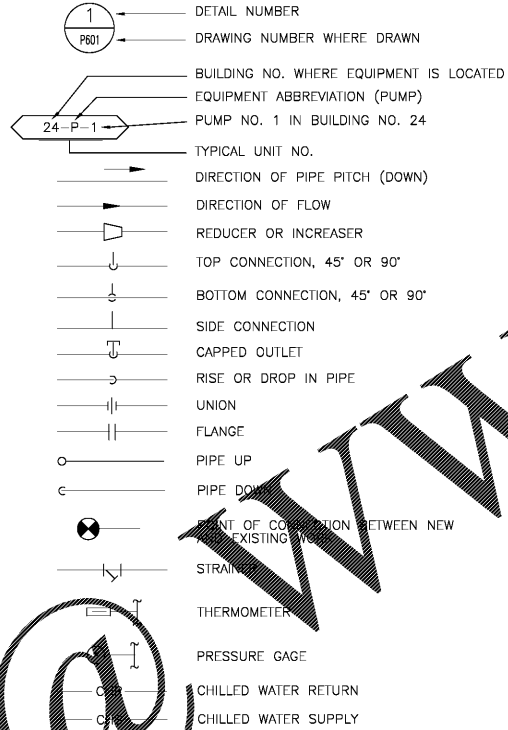
GENERAL NOTES:

- ITEMS ON THESE MECHANICAL DRAWINGS FALL UNDER DIVISION 23 SPECIFICATIONS.
- INSTALL ALL EQUIPMENT AND APPURTENANCES IN ACCORDANCE WITH THE MANUFACTURER'S RECOMMENDATIONS, CONTRACT DOCUMENTS AND APPLICABLE CODES AND REGULATIONS.
- COORDINATE DOMESTIC WATER AND STEAM SYSTEM SHUTDOWNS WITH COR. SHUTDOWNS SHALL ONLY OCCUR AS SPECIFIED WITH PRIOR WRITTEN APPROVAL OF THE COR.
- CONTRACTOR SHALL PROVIDE COMPLETE WORKING SYSTEMS WITH COMMISSIONING AND STARTUP SERVICES AS SPECIFIED.
- THESE DRAWINGS ARE SCHEMATIC IN NATURE AND INDICATE THE GENERAL AND APPROXIMATE LOCATION OF EQUIPMENT, DUCTWORK AND PIPING. FIELD VERIFY ALL DIMENSIONS AND EQUIPMENT, DUCTWORK AND PIPING LOCATIONS.
- THE CONTRACTOR SHALL COORDINATE THE INSTALLATION OF WORK WITH EXISTING CONDITIONS AND THE WORK OF OTHER TRADES. MINOR DEVIATIONS FROM THE PLANS MAY BE MADE TO AVOID CONFLICTS. WHEN MAJOR CONFLICTS ARE APPARENT, THE OWNER SHALL BE ADVISED IMMEDIATELY AND AFFECTED WORK SHALL NOT BE INSTALLED UNTIL THE CONFLICT HAS BEEN RESOLVED.
- ALL NECESSARY ALLOWANCES AND PROVISIONS SHALL BE MADE BY THE CONTRACTOR FOR BEAMS, COLUMNS, JOISTS OR OTHER OBSTRUCTIONS OF THE BUILDING WHETHER OR NOT THE SAME IS INDICATED WHERE NECESSARY TO AVOID OBSTRUCTIONS.
- ALL MISCELLANEOUS MATERIAL REQUIRED TO ENSURE PROPER INSTALLATION OF DUCTWORK, PIPING, EQUIPMENT AND CONTROLS SHALL BE FURNISHED AND INSTALLED BY THE CONTRACTOR.
- ALL MATERIAL AND EQUIPMENT SHALL BE NEW UNLESS NOTED AS (E), EXIST, OR EXISTING.
- ALL DUCTWORK, PIPING AND MATERIALS SHALL BE CLEANED PRIOR TO ENTERING THE BUILDING.
- THE CONTRACTOR SHALL THOROUGHLY CLEAN HIS/HER WORK AREA DAILY. CONTRACTOR SHALL ALSO REMOVE ALL TRASH AND DEBRIS AFTER COMPLETION OF THE WORK.
- EXCESSIVE CUTTING AND SIMILAR OPERATIONS LIKELY TO WEAKEN THE BUILDING STRUCTURE TO FACILITATE THE PIPING AND DUCTWORK INSTALLATION WILL NOT BE PERMITTED. DO NOT PENETRATE STRUCTURAL MEMBERS.
- THE CONTRACTOR SHALL PROVIDE ALL REQUIRED MATERIAL, LABOR, EQUIPMENT AND SUPERVISION FOR COMPLETE INSTALLATION.
- THE INTERIOR SURFACES OF PIPING SHALL BE SMOOTH AND ENTIRELY FREE FROM OBSTRUCTIONS TO FLOW. CLEAN AND FLUSH THE SYSTEMS BEFORE CONNECTING TO EQUIPMENT. VERIFY THAT ALL FOREIGN MATERIAL HAS BEEN REMOVED BEFORE PLACING IN SERVICE.
- PROVIDE FLEXIBLE CONNECTIONS BETWEEN HVAC EQUIPMENT AND SHEET METAL DUCTWORK.
- REFER TO PLUMBING DRAWINGS FOR STEAM AND CONDENSATE PIPING.
- REFER TO PLUMBING AND CIVIL DRAWINGS FOR ADDITIONAL CONTROLS.
- REMOVE AND REINSTALL LAY-IN CEILING TILES AS REQUIRED FOR NEW CONTROLS AND CONTROL CONDUITS. RE-INSTALL CEILING TILES AT THE END OF EACH WORK DAY OR WHEN THE TASK IS COMPLETED. REPLACE ANY DAMAGED CEILING TILES TO MATCH EXISTING.

VALVE SYMBOLS:



GENERAL SYMBOLS:

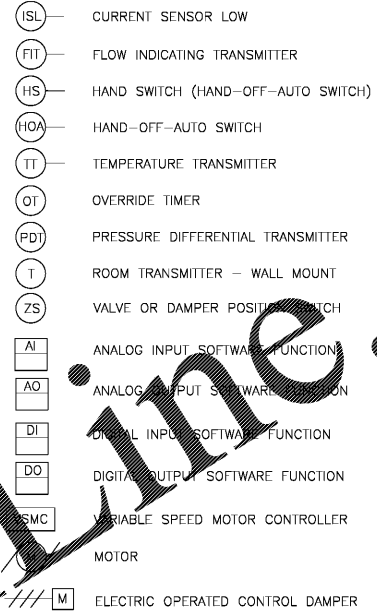


NOTE: NOT ALL SYMBOLS AND ABBREVIATIONS ARE USED.

ABBREVIATIONS:

- ABV ABOVE
- AFF ABOVE FINISH FLOOR
- ASME AMERICAN SOCIETY MECHANICAL ENGINEERS
- BAS BUILDING AUTOMATION SYSTEM
- BFL FLOW
- BHP BREAK HORSEPOWER
- BLDG BUILDING
- CFM CUBIC FEET PER MINUTE
- CH CHILLER
- CHR CHILLED WATER RETURN
- CHS CHILLED WATER SUPPLY
- CLR CLEAR
- CO CLEANOUT
- CV CONTROL VALVE
- DCW DOMESTIC COLD WATER
- DDC DIRECT DIGITAL CONTROLS
- DEG DEGREE
- DIA DIAMETER
- DN DOWN
- DWG DRAWING
- (E) EXISTING
- EER ENERGY EFFICIENCY RATIO
- EF EXHAUST FAN
- EFF EFFICIENCY
- EG EXHAUST GRILLE
- EUH ELECTRIC UNIT HEATER
- EW EACH WAY
- EWT ENTERING WATER TEMPERATURE
- F FAHRENHEIT
- FCV FLOW CONTROL VALVE
- FE FLOW ELEMENT
- FIT FLOW INDICATING TRANSMITTER
- FR FROM
- FT FEET
- GPM GALLONS PER MINUTE
- HP HORSEPOWER
- HX HEAT EXCHANGER
- IN INCH
- IPLV INTEGRATED PART LOAD VALVE
- LAN LOCAL AREA NETWORK
- LWT LEAVING WATER TEMPERATURE
- M.E. MECHANICAL EQUIPMENT ROOM
- MTR MECHANICAL EQUIPMENT ROOM
- MNUM MINIMUM
- N NORMALLY CLOSED
- NO NORMALLY OPEN
- OA OUTSIDE AIR
- ON CENTER
- P PUMP
- PSI POUNDS PER SQUARE INCH
- PSIG POUNDS PER SQUARE INCH GAUGE
- RPM REVOLUTIONS PER MINUTE
- TCV TEMPERATURE CONTROL VALVE
- TG TRANSFER GRILLE
- TYP TYPICAL
- UON UNLESS OTHERWISE NOTED
- VERT VERTICAL
- WPD WATER PRESSURE DROP

CONTROL SYMBOLS:



Order Plans

WWW.DIPLINE.COM

Revisions Date	 Atrix, plc 102 3rd Avenue, NE PO Box 1628, Hickory, NC 28603 Phone: 828.315.9962 Fax: 828.315.9964 www.atrigrp.com	 Wiley/Wilson 127 Nantux Drive Lynchburg, VA 24502 Phone: 434.947.1901 www.wileywilson.com		Approved: Energy Engineer	Approved: Safety Manager	Approved: Service Chief	Drawing Title	Project Title	Date	Veterans Affairs		
				CONSTRUCTION DOCUMENTS			Approved: Infection Control Officer	Approved: Chief of Staff	M-001 LEGEND, ABBREVIATIONS, AND GENERAL NOTES		RENOVATE FOR WATER QUALITY	04/28/2017
							Approved: GEMS Coordinator	Approved: Associate Director	Approved: Chief of Facility Management Svcs.		Building Number	Checked
									Approved: Medical Center Director		Location	VA MEDICAL CENTER, SALEM, VA 24153