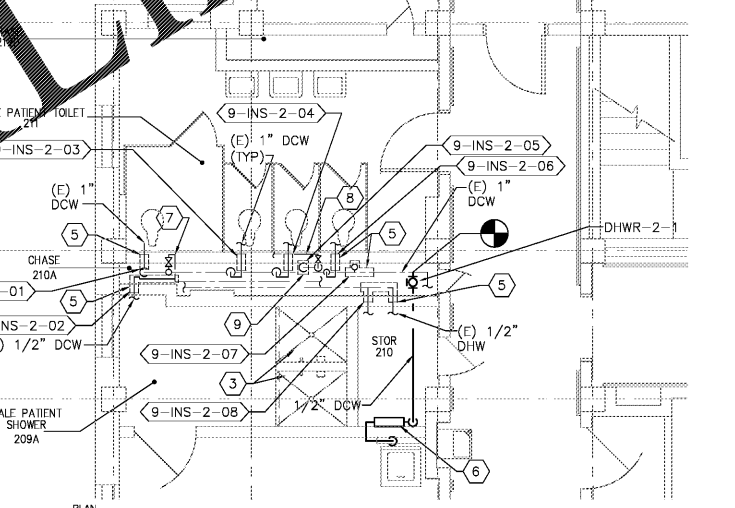
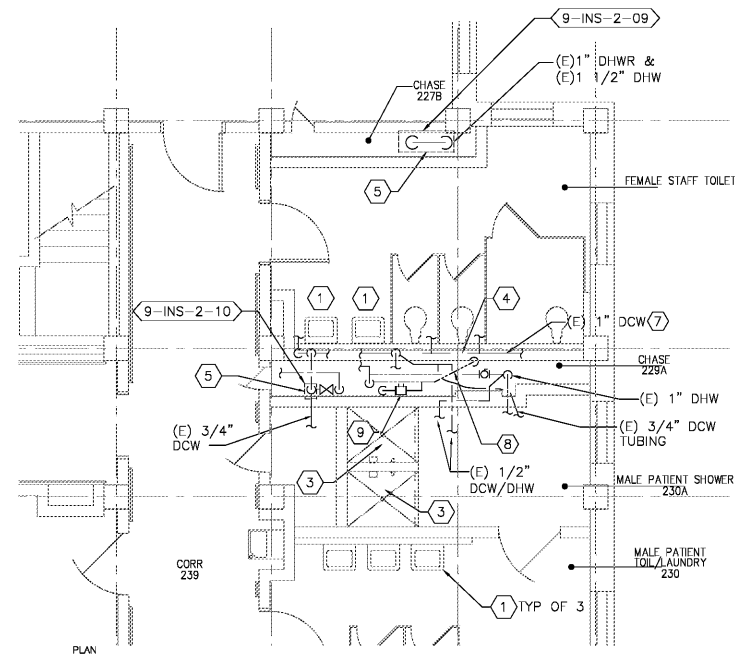


1 **SECOND FLOOR PLUMBING PLAN**
 SCALE: 1/8" = 1'-0"

- CONSTRUCTION NOTES:**
- 1 PROVIDE THERMOSTATIC MIXING VALVE BELOW SINK/LAVATORY PER DETAIL 'C' ON DRAWING PL-501.
 - 2 PROVIDE THERMOSTATIC MIXING VALVE IN CEILING ABOVE LAV FOOT PEDAL PER DETAIL 'D' ON DRAWING PL-501. PROVIDE 18"x18" ACCESS DOOR IN DRYWALL CEILING. PATCH AND PAINT TO MATCH EXISTING.
 - 3 REMOVE SHOWER VALVE AND PROVIDE ASSE 1016 ADA, LIGATURE RESISTANT, TRI-LEVER HANDLE THERMOSTATIC AND PRESSURE BALANCING COMBINATION SHOWER VALVE. SHOWER VALVE HAS A REMOVABLE STAINLESS STEEL ACCESS PANEL.
 - 4 INSULATE PIPING TO MATCH EXISTING FOR APPROXIMATELY 10 FEET OF 1/2" DCW, 10 FEET OF 3/4" DCW TUBING, AND 18 INCHES OF 3/4" DHW.
 - 5 INSULATE PIPING TO MATCH EXISTING.
 - 6 PROVIDE CHLORINE ANALYZER. CONNECT TO DDC PANEL LOCATED IN SUB-BASEMENT MECH RM. PROVIDE 1/2" SAMPLE OUTLET DRAIN AND DISCHARGE INTO WASHING MACHINE DRAIN. PROVIDE SHUT-OFF VALVE IN VERTICAL ON 1/2" DCW SUPPLY.
 - 7 PROVIDE TEMPERATURE TRANSDUCER FOR DCW AND CONNECT TO DDC PANEL LOCATED IN SUB-BASEMENT MECH RM.
 - 8 PROVIDE TEMPERATURE TRANSDUCER IN DHW AND CONNECT TO DDC PANEL LOCATED IN SUB-BASEMENT MECH RM.
 - 9 PROVIDE COMBINATION SHUT-OFF/CHECK VALVE AND BALANCING VALVE ON (E) 3/4" DHW. BALANCE TO 1.0 GPM.



2 **ENLARGED SECOND FLOOR BATHROOM CHASE 210A**
 SCALE: 1/4" = 1'-0"



3 **ENLARGED SECOND FLOOR BATHROOM CHASES 227B/229A**
 SCALE: 1/4" = 1'-0"

<p>Order Plans</p>	<p>Revisions</p> <table border="1"> <tr><th>Rev</th><th>Date</th></tr> <tr><td> </td><td> </td></tr> <tr><td> </td><td> </td></tr> <tr><td> </td><td> </td></tr> <tr><td> </td><td> </td></tr> </table>	Rev	Date									<p>Atriax Atriax, plc 102 3rd Avenue, NE PO Box 1628, Hickory, NC 28603 Phone: 828.315.9962 Fax: 828.315.9964 www.atriaxgroup.com</p>	<p>Wiley Wilson Wiley Wilson 127 Natterville Drive Lynchburg, VA 24502 Phone: 434.947.1901 www.wileywilson.com</p>	<p>APPROVED: MICHAEL W. GEHL, P.E. Lic. No. 24299 4/22/2017 PROFESSIONAL ENGINEER</p>	<p>Approved: Energy Engineer</p>	<p>Approved: Safety Manager</p>	<p>Approved: Service Chief</p>	<p>Drawing Title PL-9-104 BLDG 9 SECOND FLOOR PLUMBING PLAN NEW WORK</p>	<p>Project Title RENOVATE FOR WATER QUALITY</p>	<p>Date 04/28/2017</p>	<p>Veterans Affairs</p>
		Rev	Date																		
<p>Approved: Infection Control Officer</p>	<p>Approved: Chief of Staff</p>	<p>Approved: Chief of Facility Management Svcs.</p>	<p>Building Number 9</p>	<p>Checked MJC</p>	<p>Drawn JFC</p>	<p>Project No. 658-15-101</p>															
<p>Approved: GEMS Coordinator</p>	<p>Approved: Associate Director</p>	<p>Approved: Medical Center Director</p>	<p>Location VA MEDICAL CENTER, SALEM, VA 24153</p>	<p>DRAWING SET 2592</p>	<p>Dwg. 90 Of 155</p>																
<p>CONSTRUCTION DOCUMENTS</p>			<p>Approved: Medical Center Director</p>	<p>Location VA MEDICAL CENTER, SALEM, VA 24153</p>																	
<p>CONSTRUCTION DOCUMENTS</p>			<p>Approved: Medical Center Director</p>	<p>Location VA MEDICAL CENTER, SALEM, VA 24153</p>																	