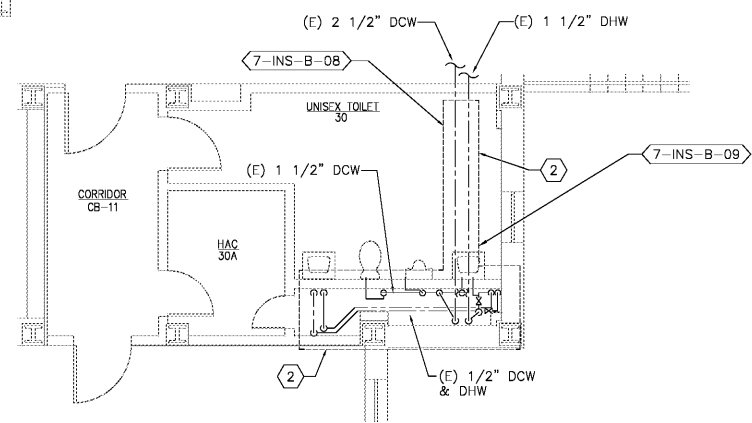
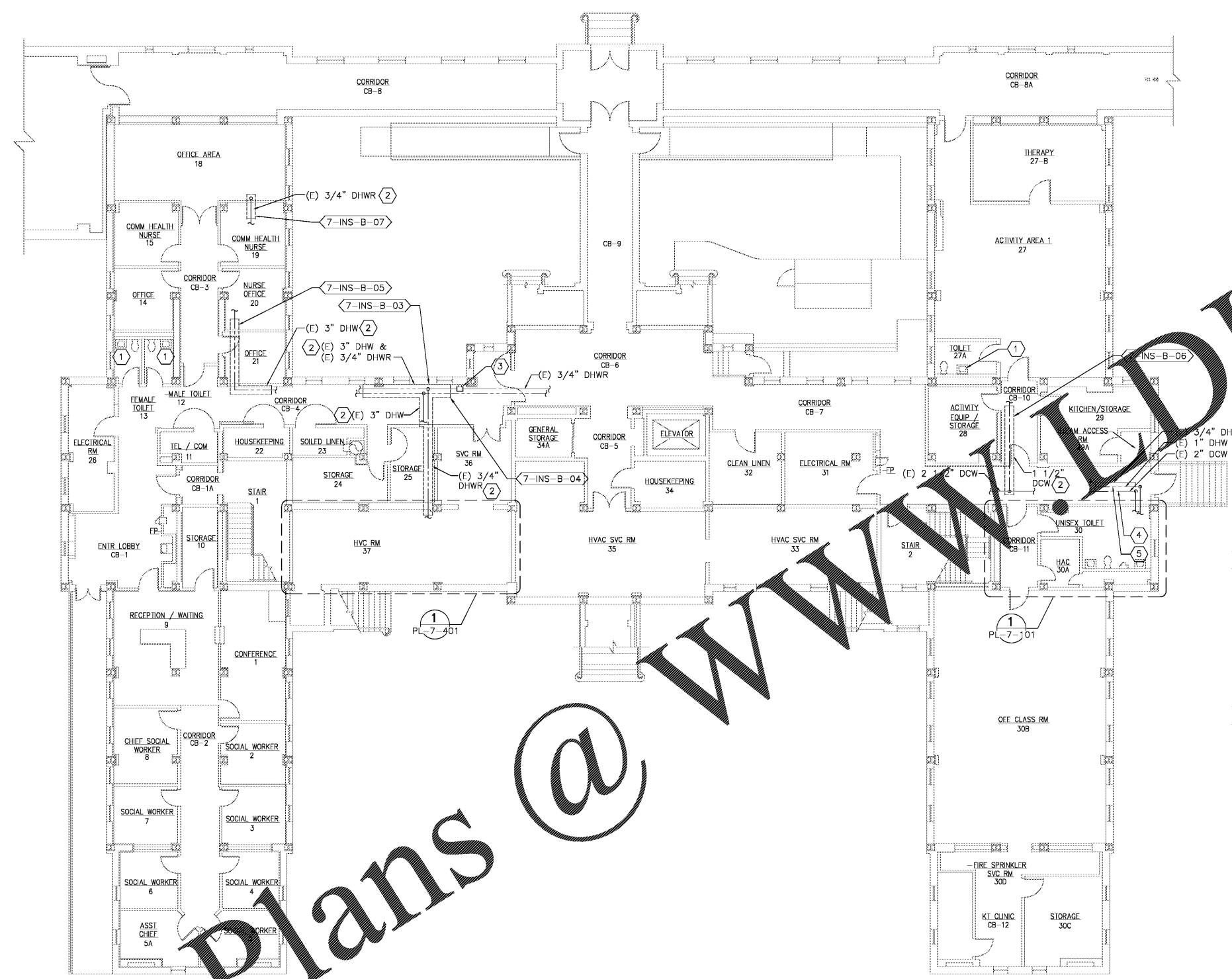


CONSTRUCTION NOTES:

- ① PROVIDE THERMOSTATIC MIXING VALVE BELOW SINK/LAVATORY PER DETAIL 'C' ON DRAWING PL-501.
- ② INSULATE PIPING TO MATCH EXISTING.
- ③ PROVIDE COMBINATION SHUTOFF/CALIBRATED BALANCING VALVE ON DHWR. - BALANCE TO 1.0 GPM.
- ④ PROVIDE TEMPERATURE TRANSMITTER IN DCW AND CONNECT TO DDC PANEL LOCATED IN HVC RM 37.
- ⑤ PROVIDE TEMPERATURE TRANSMITTER IN DHW AND CONNECT TO DDC PANEL LOCATED IN HVC RM 37.

three inches = one foot
 one and one-half inches = one foot
 one inch = one foot
 three-quarters inch = one foot
 one-half inch = one foot
 three-eighths inch = one foot
 one-quarter inch = one foot
 one-eighth inch = one foot



PLAN NORTH
 1 ENLARGED BASEMENT PLUMBING RM 30 PLAN
 SCALE: 1/4" = 1'-0"

PLAN NORTH
 1 BASEMENT PLUMBING PLAN
 SCALE: 1/8" = 1'-0"

Order Plans @ WWW.WDLine.com

Revisions	Date	 Atrix, plc 102 3rd Avenue, NE PO Box 1629, Hickory, NC 28603 Phone: 828.315.9962 Fax: 828.315.9964 www.atraxisgroup.com	 Wiley Wilson 127 Nantowite Drive Lynchburg, VA 24502 Phone: 434.947.1901 www.wileywilson.com		Approved: Energy Engineer	Approved: Safety Manager	Approved: Service Chief	Drawing Title PL-7-101 BLDG 7 BASEMENT PLUMBING PLAN NEW WORK	Project Title RENOVATE FOR WATER QUALITY		Date 04/28/2017			
					CONSTRUCTION DOCUMENTS			Approved: Infection Control Officer	Approved: Chief of Staff	Approved: Chief of Facility Management Svcs.	Building Number 7	Checked MJG	Drawn JFC	Project No. 658-15-101
								Approved: GEMS Coordinator	Approved: Associate Director	Approved: Medical Center Director	Location VA MEDICAL CENTER, SALEM, VA 24153	DRAWING SET 2592	Dwg. 83 Of 155	
								Veterans Affairs						