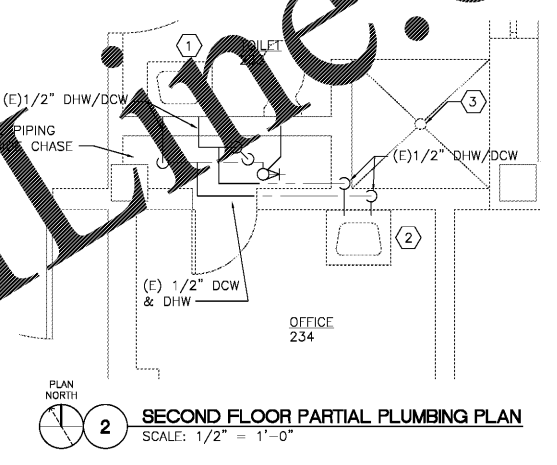
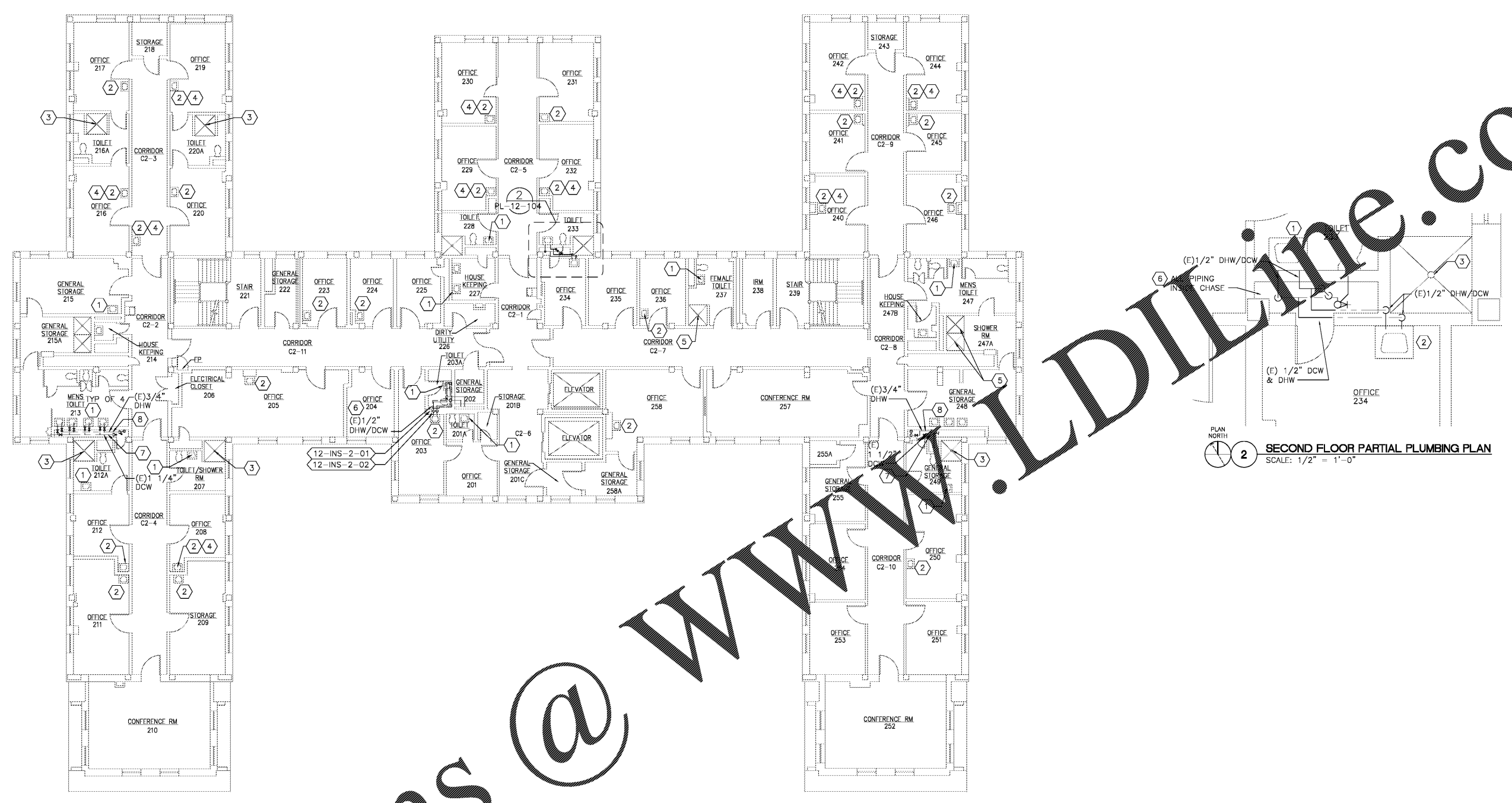


three inches = one foot
 one and one-half inches = one foot
 one inch = one foot
 three-quarters inch = one foot
 one-half inch = one foot
 three-eighths inch = one foot
 one-quarter inch = one foot
 one-eighth inch = one foot



PLAN NORTH
1 SECOND FLOOR PLUMBING PLAN
 SCALE: 1/8" = 1'-0"

PLAN NORTH
2 SECOND FLOOR PARTIAL PLUMBING PLAN
 SCALE: 1/2" = 1'-0"

CONSTRUCTION NOTES:

- 1 PROVIDE THERMOSTATIC MIXING VALVE BELOW SINK/LAVATORY PER DETAIL 'C' ON DRAWING PL-501.
- 2 PROVIDE THERMOSTATIC MIXING VALVE IN CEILING ABOVE LAVATORY PER DETAIL 'D' ON DRAWING PL-501.
- 3 REMOVE SHOWER VALVE AND PROVIDE ASSE 1016 THERMOSTATIC AND PRESSURE BALANCING COMBINATION SHOWER VALVE. REMOVE AND REPLACE PORTION OF TILE WALL TO ALLOW INSTALLATION OF NEW SHOWER VALVE.
- 4 REMOVE FAUCET AERATOR AND PROVIDE LAMINAR FLOW OUTLET.
- 5 PROVIDE ASSE 1069 THERMOSTATIC MIXING VALVE AND LOCATE ABOVE CEILING. CONNECT TO EXISTING DOMESTIC HOT AND COLD WATER LINES PER DETAIL 'E' DRAWING PL-501. PROVIDE SHUT-OFF VALVES AND SET AT 110 DEGREES FAHRENHEIT.
- 6 INSULATE PIPING WITH FIBERGLASS INSULATION.
- 7 PROVIDE TEMPERATURE TRANSMITTER IN DCW AND CONNECT TO DDC PANEL LOCATED IN MECH RM 8 BASEMENT LEVEL.
- 8 PROVIDE TEMPERATURE TRANSMITTER IN DHW AND CONNECT TO DDC PANEL LOCATED IN MECH RM 8 BASEMENT LEVEL.

Order Plans @ WWW.LDIDLINE.COM

Revisions	Date

Atrix
 Atrix, pllc
 102 3rd Avenue, NE
 PO Box 1628,
 Hickory, NC 28603
 Phone: 828.315.9962
 Fax: 828.315.9964
 www.atrigrp.com

WileyWilson
 WileyWilson
 127 Nationwide Drive
 Lynchburg, VA 24502
 Phone: 434.947.1901
 www.wileywilson.com



Approved: Energy Engineer	Approved: Safety Manager	Approved: Service Chief
	Approved: Infection Control Officer	Approved: Chief of Staff
	Approved: GEMS Coordinator	Approved: Associate Director

CONSTRUCTION DOCUMENTS

Drawing Title PL-12-104 BLDG 12 SECOND FLOOR PLUMBING PLAN NEW WORK	Project Title RENOVATE FOR WATER QUALITY	Date 04/28/2017
Approved: Chief of Facility Management Svc.	Building Number 12	Checked MUG
Approved: Medical Center Director	Location VA MEDICAL CENTER, SALEM, VA 24153	Drawn JFC

Project No. 658-15-101	DRAWING SET 2592	Date 04/28/2017
	Dwg. 95 Of 155	

Veterans Affairs