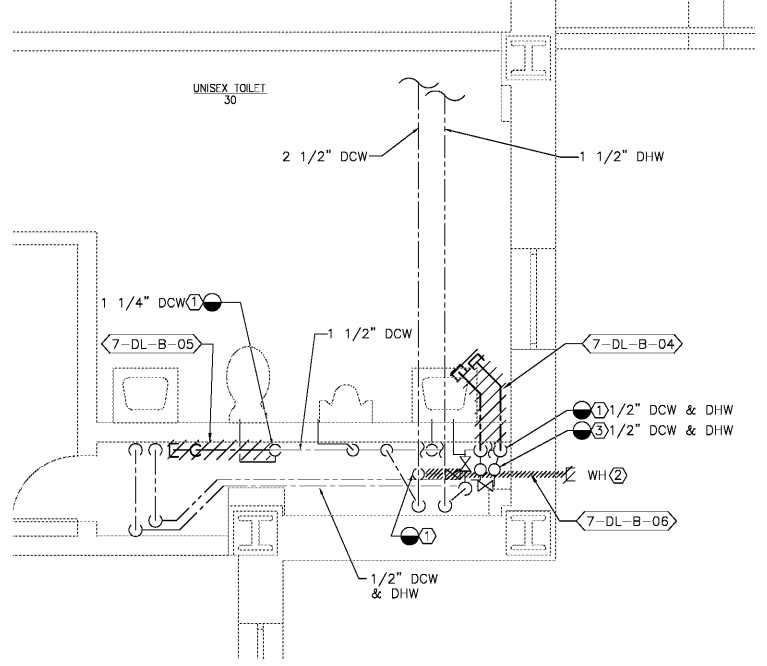
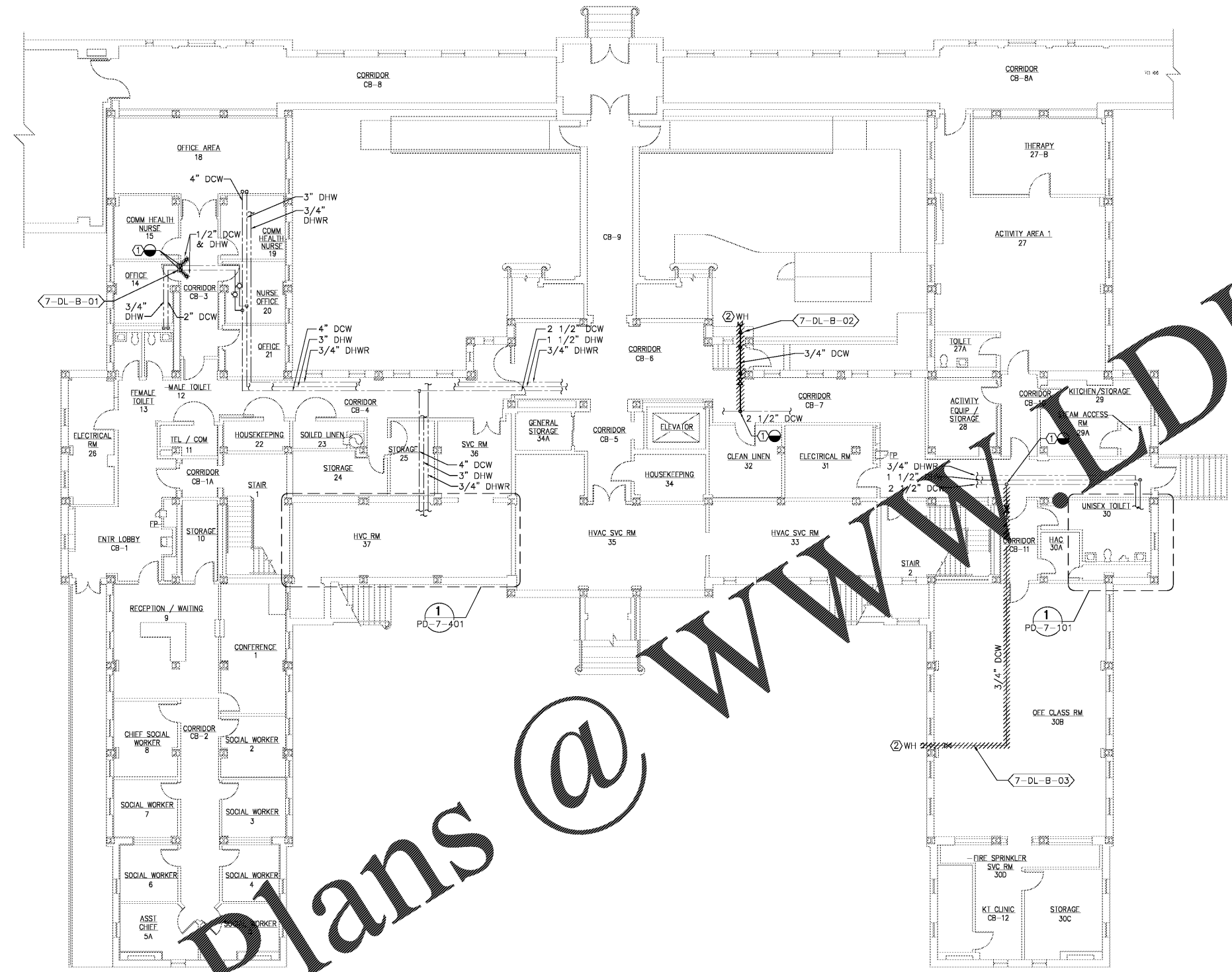
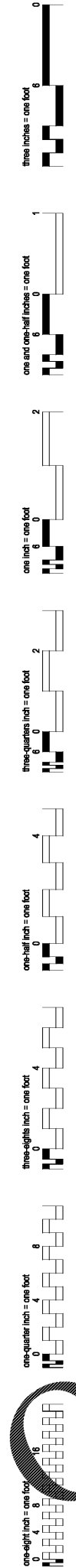


DEMOLITION NOTES:

- ① REMOVE DEADLEG BACK TO MAIN. REMOVE TEE FROM MAIN AND PROVIDE NEW PIPING AND INSULATION TO MATCH EXISTING.
- ② PATCH MASONRY WALL TO MATCH EXISTING UPON REMOVAL OF WALL HYDRANT.
- ③ REMOVE 1/2" DCW & 1/2" DHW DEADLEGS BACK TO MAIN. REMOVE TEE FROM MAIN AND PROVIDE NEW PIPING AND INSULATION. CAP 1/2" DCW & DHW AT FIRST FLOOR SLAB.



PLAN NORTH
1 BASEMENT PLUMBING DEMOLITION PLAN
 SCALE: 1/8" = 1'-0"

PLAN NORTH
1 ENLARGED BASEMENT PLUMBING RM 30 DEMOLITION PLAN
 SCALE: 1/2" = 1'-0"

Order Plans @ WWW.DILine.com

Revisions	Date

Atrix
 Atrix, plc
 102 3rd Avenue, NE
 PO Box 1628,
 Hickory, NC 28603
 Phone: 828.315.9962
 Fax: 828.315.9964
 www.atraxisgroup.com

Wiley Wilson
 Wiley Wilson
 127 Nationwide Drive
 Lynchburg, VA 24502
 Phone: 434.947.1901
 www.wileywilson.com



Approved: Energy Engineer	Approved: Safety Manager	Approved: Service Chief
	Approved: Infection Control Officer	Approved: Chief of Staff
	Approved: GEMS Coordinator	Approved: Associate Director

CONSTRUCTION DOCUMENTS

Approved: Chief of Facility Management Svcs.	Approved: Medical Center Director
--	-----------------------------------

Drawing Title	Project Title	Date
PD-7-101 BLDG 7 BASEMENT PLUMBING PLAN DEMOLITION	RENOVATE FOR WATER QUALITY	04/28/2017
Approved: Chief of Facility Management Svcs.	Building Number	Checked
	7	MJG
	Location	Drawn
	VA MEDICAL CENTER, SALEM, VA 24153	WJC

Project No.	DRAWING SET
658-15-101	2592
Date	Dwg. 35 Of 155
04/28/2017	

Veterans Affairs