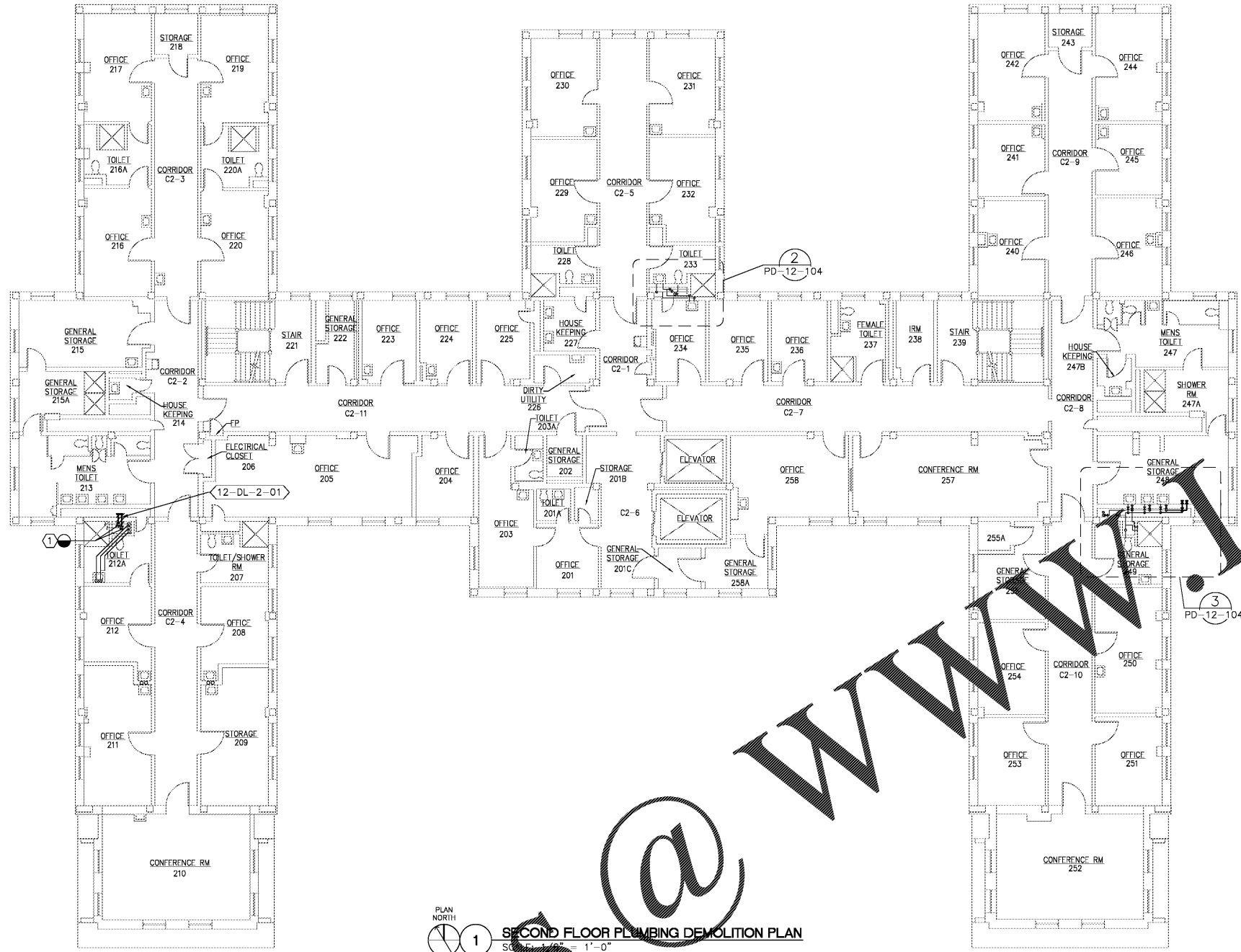
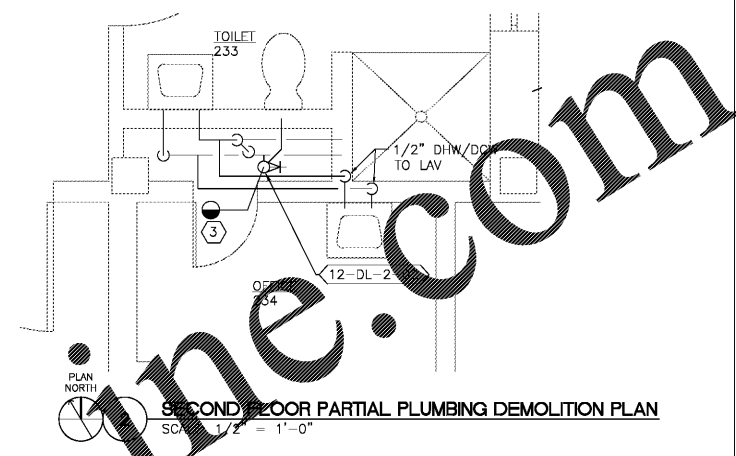


three-eighths inch = one foot
 one-quarter inch = one foot
 one-eighth inch = one foot
 one-quarter inch = one foot
 one-half inch = one foot
 three-quarters inch = one foot
 one inch = one foot
 one and one-half inches = one foot
 three inches = one foot

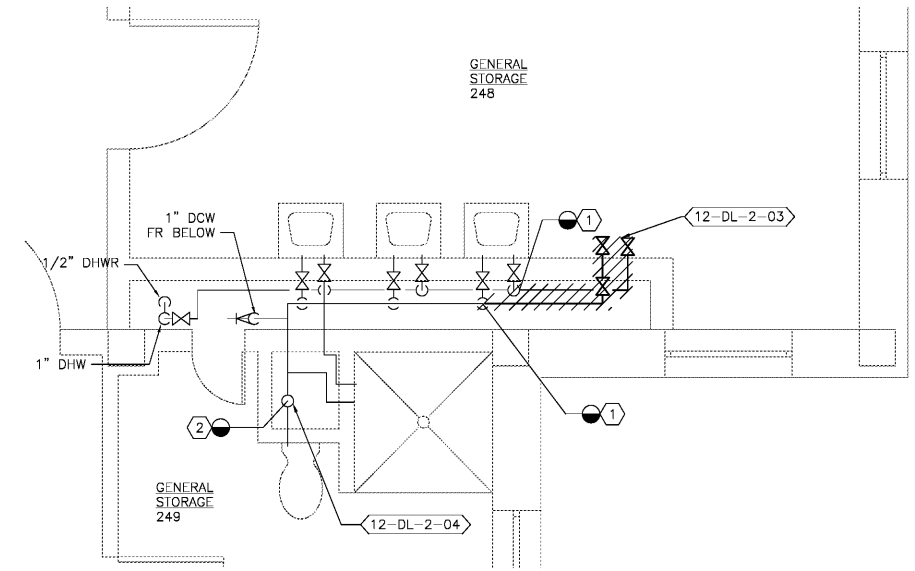


PLAN NORTH
1 SECOND FLOOR PLUMBING DEMOLITION PLAN
 SCALE: 1/2" = 1'-0"

- DEMOLITION NOTES:**
- 1 REMOVE DEADLEG BACK TO MAIN. REMOVE TEE FROM MAIN AND PROVIDE NEW PIPING AND FIBERGLASS INSULATION.
 - 2 REMOVE 12 INCH DEADLEG IN VERTICAL OF DCW BACK TO MAIN. REMOVE TEE FROM MAIN AND PROVIDE NEW PIPING AND FIBERGLASS INSULATION.
 - 3 REMOVE 18 INCH DEADLEG IN VERTICAL OF DCW BACK TO MAIN. REMOVE TEE FROM MAIN AND PROVIDE NEW PIPING AND FIBERGLASS INSULATION.



PLAN NORTH
2 SECOND FLOOR PARTIAL PLUMBING DEMOLITION PLAN
 SCALE: 1/2" = 1'-0"



PLAN NORTH
3 SECOND FLOOR PARTIAL PLUMBING DEMOLITION PLAN
 SCALE: 1/2" = 1'-0"

Order Plans @ WWW.LDILINE.COM

Revisions	Date

 Atrix, pllc 102 3rd Avenue, NE PO Box 1628, Hickory, NC 28603 Phone: 828.315.9962 Fax: 828.315.9964 www.atraxisgroup.com	 Wiley Wilson 127 Naitonville Drive Lynchburg, VA 24502 Phone: 434.947.1901 www.wileywilson.com	 MICHAEL V. GEHL License No. 24298 4/22/2017 PROFESSIONAL ENGINEER	Approved: Energy Engineer	Approved: Safety Manager	Approved: Service Chief	Drawing Title PD-12-104 BLDG 12 SECOND FLOOR PLUMBING PLAN DEMOLITION	Project Title RENOVATE FOR WATER QUALITY			Date 04/28/2017
			CONSTRUCTION DOCUMENTS				Approved: Infection Control Officer	Approved: Chief of Staff	Approved: Chief of Facility Management Svc.	Building Number 12
			Approved: GEMS Coordinator	Approved: Associate Director	Approved: Medical Center Director	Location VA MEDICAL CENTER, SALEM, VA 24153	DRAWING SET 2592			Dwg. 47 Of 155

Veterans Affairs