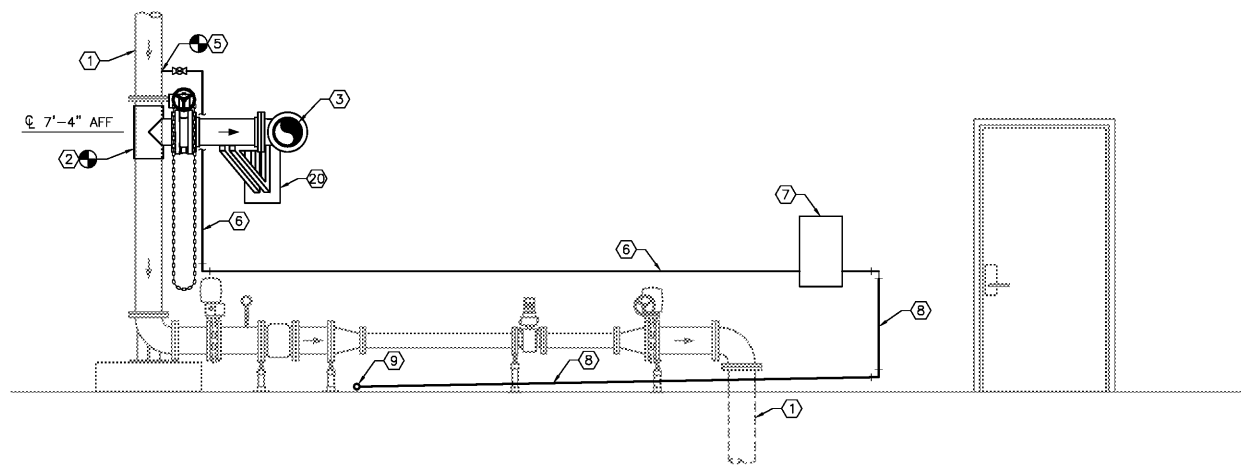
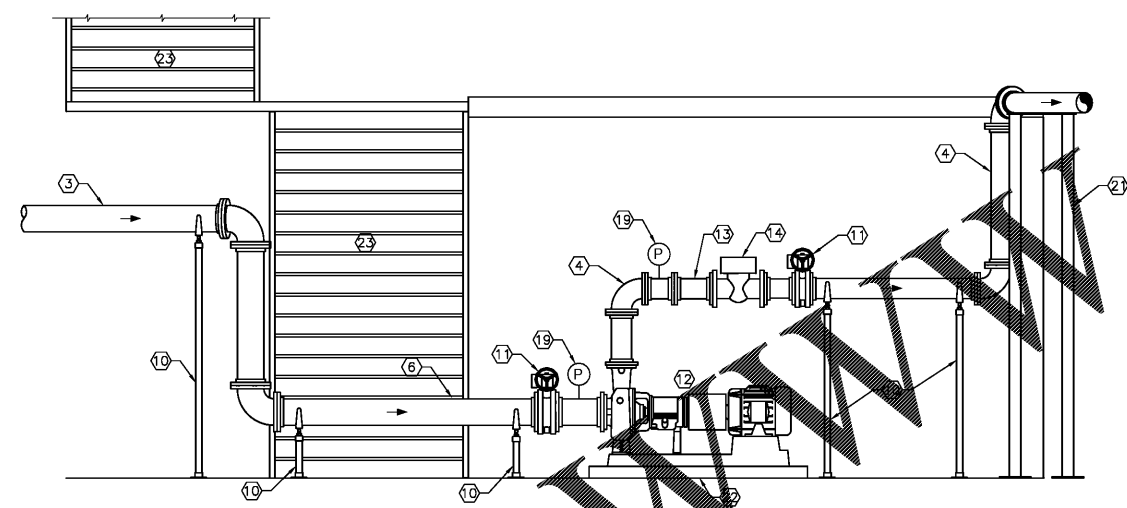


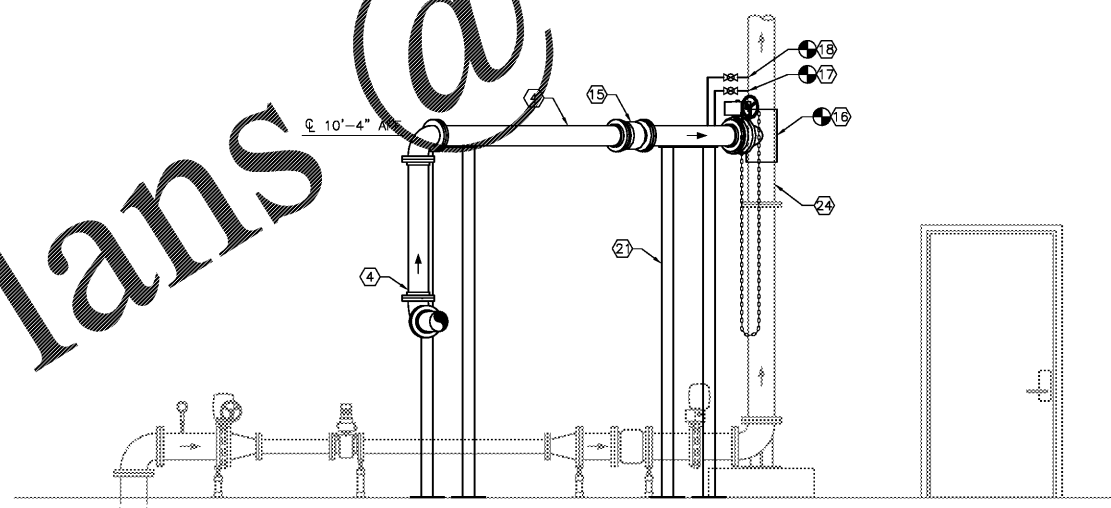
three inches = one foot  
 one and one half inches = one foot  
 one inch = one foot  
 three quarters inch = one foot  
 one half inch = one foot  
 three eighths inch = one foot  
 one quarter inch = one foot  
 one eighth inch = one foot



**1 ELEVATED STORAGE TANK RECIRCULATION LINE**  
 CI-203 SCALE: 1"=2'



**2 ELEVATED STORAGE TANK RECIRCULATION LINE**  
 CI-203 SCALE: 1"=2'



**3 ELEVATED STORAGE TANK RECIRCULATION LINE**  
 CI-203 SCALE: 1"=2'

**GENERAL SHEET NOTES**

1. REFER TO DIVISION 33 SPECIFICATIONS FOR POTABLE WATER PIPE WORK AND VALVES REFERENCED ON THIS DRAWING.
2. SEE DRAWING CI-103 "ELEVATED STORAGE TANK MIXED OXIDANT FEED SYSTEM SITE PLAN" AND DRAWING CI-403 "ELEVATED STORAGE TANK MIXED OXIDANT SUPPLY EMERGED SITE PLAN" FOR ADDITIONAL INFORMATION.
3. VENT AND CHEMICAL PIPING NOT SHOWN FOR CLARITY IN ELEVATIONS.

**SHEET KEYNOTES**

1. EXISTING ELEVATED STORAGE TANK 8" DISCHARGE LINE.
2. CONNECT 8" DUCTILE IRON STORAGE TANK RECIRCULATION LINE TO EXISTING ELEVATED STORAGE TANK 8" STAINLESS STEEL DISCHARGE LINE. PROVIDE 8" STAINLESS STEEL TAPPING SLEEVE, WET TAP AND 8" TAPPING VALVE WITH CHAIN ACTUATOR.
3. CONNECT 6" DUCTILE IRON STORAGE TANK RECIRCULATION LINE TO EXISTING ELEVATED STORAGE TANK 8" STAINLESS STEEL DISCHARGE LINE (DISCHARGE).
4. 6" DUCTILE IRON STORAGE TANK RECIRCULATION LINE (DISCHARGE).
5. 1/2" SADDLE TAP WITH CORPORATION STOP - CHLORINE SAMPLE POINT.
6. 1/2" SCH 80 CPVC CHLORINE SAMPLE LINE.
7. CHLORINE ANALYZER (174-C-1). MOUNT 42" AFF.
8. 1" SCH 80 PVC CHLORINE ANALYZER DRAIN LINE. ROUTE TO 2" DRAIN LINE LEADING TO DRY SUMP.
9. 2" SCH 80 CPVC DRAIN LINE TO DRY SUMP.
10. ADJUSTABLE PIPE SUPPORT. SEE DETAIL 1, DRAWING CI-501.
11. GATE VALVE. (LINE SIZE)
12. RECIRCULATION PUMP (174-P-6).
13. 6" DISMANTLING JOINT.
14. 6" CHECK VALVE.
15. 6" FLOW METER (174-FM-1). MOUNT TRANSMITTER DISPLAY 42" AFF ON ADJACENT WALL.
16. CONNECT 6" DUCTILE IRON STORAGE TANK RECIRCULATION LINE TO EXISTING ELEVATED STORAGE TANK 8" STAINLESS STEEL FILL LINE. PROVIDE 8"x6" STAINLESS STEEL TAPPING SLEEVE, WET TAP AND 6" TAPPING VALVE WITH CHAIN ACTUATOR.
17. 1/2" SADDLE TAP WITH CORPORATION STOP. MIXED OXIDANT ADDITION POINT TO ELEVATED STORAGE TANK 8" STAINLESS STEEL FILL LINE.
18. 3/4" SADDLE TAP WITH CORPORATION STOP ON EXISTING TANK 8" STAINLESS STEEL FILL LINE FOR SOLUTION MAKE-UP WATER.
19. 1/2" SST TAP WITH 1/2" SST BALL VALVE AND PRESSURE GAUGE.
20. WALL MOUNTED PIPE SUPPORT.
21. PIPE BRIDGE SUPPORT.
22. EQUIPMENT PAD. SEE DETAIL 2, DRAWING CI-501.
23. EXISTING STAIRWAY.
24. EXISTING ELEVATED STORAGE TANK 8" FILL LINE.

Order Plans @

Revisions Date	 Atriax, plc 102 3rd Avenue, NE PO Box 1629, Hickory, NC 28603 Phone: 828.315.9982 Fax: 828.315.9984 www.atriaxgroup.com	 WileyWilson 127 Nationwide Drive Lynchburg, VA 24502 Phone: 434.947.1901 www.wileywilson.com		Approved: Energy Engineer  <b>CONSTRUCTION DOCUMENTS</b>	Approved: Safety Manager  Approved: Infection Control Officer  Approved: GEMS Coordinator	Approved: Service Chief  Approved: Chief of Staff  Approved: Associate Director	Drawing Title CI-203 ELEVATED STORAGE TANK MIXED OXIDANT FEED SYSTEM ELEVATIONS  Approved: Chief of Facility Management Svc.  Approved: Medical Center Director	Project Title RENOVATE FOR WATER QUALITY  Building Number 174 Location VA MEDICAL CENTER, SALEM, VA 24153	Date 04/28/2017 Project No. 658-15-101 DRAWING SET 2592 Dwg. 12 Of 155	Veterans Affairs
-------------------	-----------------------------------------------------------------------------------------------------------------------------------------------	--------------------------------------------------------------------------------------------------------------	--	----------------------------------------------------------------	-------------------------------------------------------------------------------------------------------	---------------------------------------------------------------------------------------------	--------------------------------------------------------------------------------------------------------------------------------------------------------------------------------------	-----------------------------------------------------------------------------------------------------------------------------	------------------------------------------------------------------------------------------	------------------