

1 KEY NOTES - POWER:

- ① CONNECT EVAPORATOR UNIT IN FREEZER TO FREEZER CONDENSING UNIT CONTROLS LOCATED ON ROOF.
- ② CONNECT EVAPORATOR UNIT IN COOLER TO COOLER CONDENSING UNIT CONTROLS LOCATED ON ROOF.
- ③ NOT USED.
- ④ CONNECT AS REQUIRED TO C/F FAN VIA SPEED CONTROLLER. CONNECT HOMERUN VIA RELAY IN "T-500" CONTROL SECTION.
- ⑤ PROVIDE 4" X 4" X 3"D JUNCTION BOX WITHOUT COVER PLATE. EXTEND 2' CONDUIT TO LOCATION OF THE EXISTING PHONE SERVICE ENTRANCE. NOT USED.
- ⑥ PROVIDE 3/4" IN 1/2" CONDUIT BETWEEN THE T-500 CONTROL PANEL AND THE ANSUL SYSTEM PANEL. SEE ANSUL SYSTEM WIRING DIAGRAM. DETAIL ON THIS SHEET FOR ADDITIONAL INFORMATION.
- ⑦ PROVIDE GROUND FAULT CIRCUIT INTERRUPTER (GFCI) TYPE RECEPT IN COMPLIANCE WITH THE NEC REQUIREMENT FOR KITCHENS. IF NOT NOTED AS GFCI, THEN THE BREAKER IS TO BE GFCI TYPE.
- ⑧ NOT USED.

- ⑩ THE OUTLETS FOR THE OPEN FRYERS (ITEM #522) ARE FURNISHED BY THE EXHAUST HOOD SUPPLIER AND INSTALLED BY THE CONTRACTOR.
- ⑪ NOT USED.
- ⑫ SINGLE POLE SWITCHES SHALL SERVE AS THE LOCAL "IN-SIGHT" MEANS OF DISCONNECT FOR EQUIPMENT ITEMS NOTED. THE SWITCHES SHALL BE COOPER #S2983 AND INSTALLED AS INDICATED IN DETAILS ON SHEET E1.2.
- ⑬ OVER-HEAD EQUIPMENT POWER (OEP) DROP CORD RECEPTACLES FROM A FLUSH MOUNTED CEILING OEP BOX. PROVIDE A-C-S OEP ASSEMBLY #12360-1000. ASSEMBLY WILL CONSIST OF A FLUSH CEILING OUTLET BOX, TWIST-LOCK PENDANT RECEPTACLES, STRAIGHT BLADE PENDANT RECEPTACLES, CORDS, STRAIN RELIEF, AND TWISTLOCK PLUGS. CONTACT MR. JIM JACOBSON AT A-C-S AT 800-639-7584 TO PURCHASE OEP BOX AND DROP CORD RECEPTACLES. PROVIDE LIQUID-TIGHT CONDUIT WITH CONDUCTORS FOR DIRECT CONNECTED EQUIPMENT. CONDUIT SHALL NOT TOUCH THE FLOOR WHEN EQUIPMENT IS IN PLACE. USE SUPPORT GRIPS W/ SUPPORT HOOK ATTACHED TO SHELVING ABOVE AS NEEDED. PASS & SEYMOUR MODEL #FS075-U-GH5 OR EQUIVALENT.
- ⑭ PROVIDE RECESSED "CLOCK-STYLE" CONNECTION - ARLINGTON CATALOG NUMBER DVFR2W WITH DUPLEX RECEPTACLE. CENTER FLY LIGHT OVER BOX. FIELD VERIFY MOUNTING LOCATION AND HEIGHT.

2 KEY NOTES - COMM:

(NOTE: ALL NOTES MAY NOT BE USED ON THIS PROJECT)

- ① PROVIDE A DOUBLE-GANG RING (CARLON #SC200RR) WITH A 2' CONDUIT STUBBED UP INTO THE CEILING SPACE FOR AUDIO AND DETECTOR LOOP.
- ② PROVIDE TWO DOUBLE-GANG RINGS (CARLON #SC200RR) WITH STAINLESS STEEL COVER PLATE AND HOLE IN PLATE FOR AUDIO WITH 2' CONDUIT TO THE OT DUAL-LANE ORDERING AREA AND A 2' CONDUIT STUBBED UP INTO THE CEILING SPACE.
- ③ SEE HME UNITS POWER & DATA BOX DETAIL FOR REQUIREMENTS FOR THE OWNER PROVIDED WIRELESS COMMUNICATION SYSTEM MAIN TRANSMITTER UNIT.
- ④ PROVIDE SINGLE-GANG JUNCTION BOX WITH A 1' EMPTY CONDUIT STUBBED UP INTO THE ACCESSIBLE CEILING SPACE FOR OWNER'S VOIP PHONE JACK AND CABLES.

3 KEY NOTES - MUSIC:

(NOTE: ALL NOTES MAY NOT BE USED ON THIS PROJECT)

- ① PROVIDE JUNCTION BOX WITH STAINLESS STEEL COVER PLATE AND 3/4" HOLE IN PLATE WITH GROMMET ON HOLE IN PLATE. EXTEND 3/4" EC. LP IN WALL TO ABOVE CEILING FOR MUSIC SYSTEM.
- ② NOT USED.
- ③ PROVIDE THREE SINGLE GANG EXTRA DEEP J-BOXES AT 74" AFF WITH 1/2" CONDUIT FROM EACH TO THE CENTER BOX AND A 1' CONDUIT STUBBED INTO THE CEILING SPACE. FOR MUSIC SYSTEM VOLUME CONTROLS.

4 GENERAL NOTES:

- 1. ALL SECURITY, POS, MUSIC, COMMUNICATIONS, AND POWER ROUGH-IN SHALL BE INSTALLED DURING THE FRAMING/ROUGH-IN PHASE OF CONSTRUCTION.
- 2. REFER TO KITCHEN EQUIPMENT SHEETS FOR EQUIPMENT ELECTRICAL ROUGH-IN ELEVATIONS ABOVE FINISHED FLOOR.
- 3. ALL EMPTY CONDUITS SHALL BE PROVIDED WITH FULL STRING.
- 4. PROVIDE INSULATED BUSHINGS AT TERMINATION POINTS OF ALL CONDUITS FOR LOW VOLTAGE WIRING.
- 5. THE ELECTRICAL INSTALLER SHALL COORDINATE THE ROUTING OF ALL CONDUIT IN THE BUILDING WITH OTHER TRADES (SPECIFICALLY THE DUCTWORK INSTALLATION) TO AVOID CONFLICTS OF SPACE REQUIREMENTS IN WALLS AND CEILING SPACES.

5 KEY NOTES - POS:

(NOTE: ALL NOTES MAY NOT BE USED ON THIS PROJECT)

- ① PROVIDE A "RETROFIT" DOUBLE-GANG RING (CARLON #SC200RR) FOR OWNER'S DEVICE PLATE WITH A 3' EMPTY CONDUIT AT THE OPENING IN THE WALL UP TO THE CEILING SPACE FOR OWNER'S DATA CABLES.
- ② PROVIDE JUNCTION BOX FOR TERMINATION OF 1" CONDUIT. PROVIDE 1' CONDUIT EXTENDING FROM CEILING AND TERMINATED AT JUNCTION BOX ON THE SERVING AREA SIDE OF THE WALL. COVER PLATE PROVIDED BY OWNER'S POS SYSTEM VENDOR.
- ③ PROVIDE TWO 2' CONDUIT FROM FACE OF WALL AND EXTEND CONDUIT TO JUNCTION BOX IN CEILING SPACE ABOVE SERVING AREA. CONDUIT SHALL TERMINATE FLUSH WITH FACE OF WALL BELOW COUNTER. CUSTOM STAINLESS STEEL COVER PLATE IN WALL WITH GROMMET ON 2" DIAMETER HOLE AT CONDUIT TERMINATION IN WALL.
- ④ PROVIDE A "RETROFIT" SINGLE GANG RING (CARLON #SC100RR) FOR OWNER'S DEVICE PLATE WITH A 2' EMPTY CONDUIT AT THE OPENING IN THE WALL UP TO THE CEILING SPACE FOR OWNER'S DATA CABLES.
- ⑤ PROVIDE JUNCTION BOX FOR TERMINATION OF 1" CONDUIT. PROVIDE 1' CONDUIT EXTENDING FROM CEILING AND TERMINATED AT JUNCTION BOX ON THE SERVING AREA SIDE OF THE WALL. POS SYSTEM SUPPLIER WILL PROVIDE COVER PLATE ON BOX.
- ⑥ PROVIDE SINGLE GANG EXTRA DEEP JUNCTION BOX MOUNTED ON THE MOUNTING PLATE WITHIN THE FRONT SERVING COUNTER CASEWORK. MOUNT BOX ADJACENT TO THE RECEPTACLE FOR EQUIPMENT 180.

6 KEY NOTES - SECURITY:

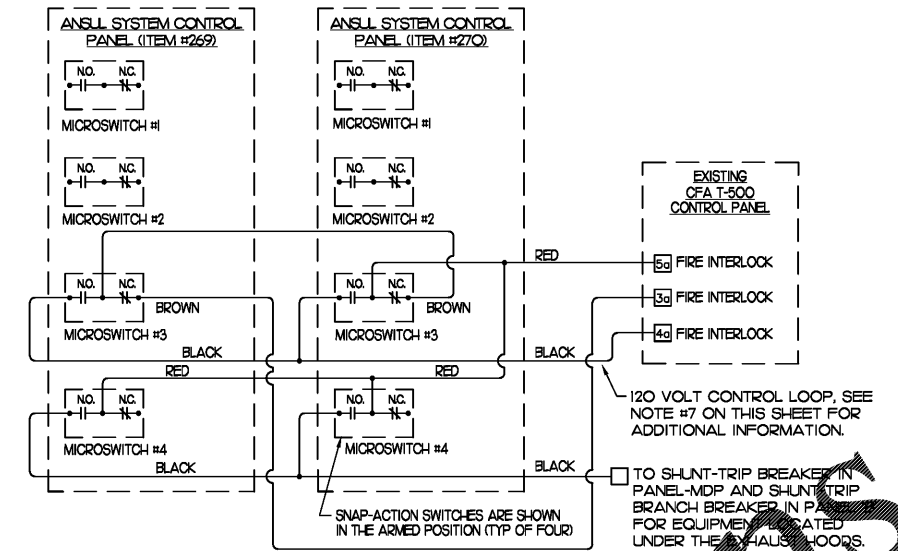
(NOTE: ALL NOTES MAY NOT BE USED ON THIS PROJECT)

- ① PROVIDE SINGLE GANG JUNCTION BOX AND STAINLESS STEEL COVER PLATE WITH 7/8" HOLE IN CENTER. EXTEND 1' EC. LP IN WALL TO ABOVE ACCESSIBLE CEILING.
- ② PROVIDE 4" X 4" X 3"D FLUSH JUNCTION BOX WITHOUT COVER PLATE. EXTEND 2' RIGID CONDUIT UP TO ABOVE ACCESSIBLE OFFICE CEILING AREA AND PROVIDE BUSHING ON CONDUIT END.
- ③ PROVIDE A 4" X 4" X 3" D JUNCTION BOX WITHOUT COVER PLATE AND EXTEND 2' CONDUIT DOWN AND BELOW GRADE TO EACH OF THE SITE'S POLE MOUNTED CAMERA LOCATIONS (SEE ELECTRICAL SITE PLAN FOR CONTINUATION). PROVIDE 2' CONDUIT UP TO THE ACCESSIBLE CEILING SPACE WITH A BUSHING ON THE CONDUIT END. PROVIDE A SINGLE-GANG JUNCTION BOX TO MOUNT TO THE DOUBLE-GANG BOX WITH A 15" CONDUIT DOWN TO ABOVE SINGLE-GANG JUNCTION BOX AT THE CCTV MONITOR LOCATION.
- ④ PROVIDE TWO GANG WEATHER-PROOF JUNCTION BOX AND STAINLESS STEEL COVER PLATE WITH 7/8" HOLE IN CENTER FOR PANIC BUTTON. MOUNT AT APPROXIMATELY 48" AFF. EXTEND 1/2" RIGID CONDUIT OVER TO THE WALL AND THEN UP TO ABOVE ACCESSIBLE CEILING. SEAL PENETRATION AT 1/2" W/IF CEILING.
- ⑤ PROVIDE SINGLE GANG BOX WITHOUT COVER PLATE. EXTEND 1/2" CONDUIT UP IN WALL TO ABOVE ACCESSIBLE CEILING.
- ⑥ PROVIDE SINGLE GANG JUNCTION BOX ON INSIDE FACE OF PARAPET WALL APPROX 1/2' BELOW TOP OF PARAPET WALL. EXTEND 1/2" CONDUIT DOWN TO ABOVE ACCESSIBLE OFFICE CEILING.
- ⑦ EXTEND 1/2" RIGID CONDUIT FROM TOP OF STRIKE-SIDE DOOR FRAME CHANNEL TO ABOVE ACCESSIBLE CEILING.
- ⑧ PROVIDE JUNCTION BOX ON THE LATCH SIDE OF THE ROOF ACCESS HATCH WITH 1/2" C ABOVE THE CLG TO THE OFFICE CEILING SPACE FOR A DOOR CONTACT.
- ⑨ PROVIDE SINGLE GANG JUNCTION BOX WITHOUT COVERPLATE. EXTEND 1/2" CONDUIT UP IN WALL TO ABOVE ACCESSIBLE CEILING AND TURN TOWARD SERVING AREA SIDE OF WALL.
- ⑩ PROVIDE SINGLE GANG, WEATHER-PROOF JUNCTION BOX WITH STAINLESS STEEL COVER PLATE MOUNTED 18" FROM THE CORNER OF THE SERVICE YARD AND JUST BELOW ROOF DECK MOUNTING BRACKETS. ROUTE 1" EMT CONDUIT FROM THE BOX SURFACE MOUNTED JUST BELOW THE ROOF DECK MOUNTING BRACKETS AND TERMINATE THE CONDUIT AT
- ⑪ EXTEND 1/2" RIGID CONDUIT FROM A POINT 3" WITHIN STRIKE-SIDE WINDOW FRAME MULLION TO ABOVE ACCESSIBLE CEILING.
- ⑫ PROVIDE SINGLE GANG, WEATHER-PROOF JUNCTION BOX WITH STAINLESS STEEL COVER PLATE MOUNTED JUST ABOVE THE STRIKE SIDE OF OUTSIDE DOOR ON INSIDE OF SERVICE YARD. ROUTE 1" EMT CONDUIT SURFACE MOUNTED FROM BOX JUST BELOW THE ROOF DECK MOUNTING BRACKETS. TERMINATE CONDUIT IN THE ACCESSIBLE CEILING SPACE INSIDE THE BUILDING.

NOTE FOR GF TYPE RECEPTACLES:
THE CONTRACTOR SHALL PROVIDE GROUND FAULT PROTECTION FOR ALL 120 VOLT, 15 AND 20 AMP RECEPTACLE OUTLET BRANCH CIRCUITS IN THE KITCHEN/FOOD PREPARATION AREAS. GROUND FAULT PROTECTION SHALL BE PROVIDED AT THE RECEPTACLE VIA A GROUND FAULT TYPE RECEPTACLE UNLESS OTHERWISE NOTED ON THE PLANS. SEE FLOOR PLAN FOR ADDITIONAL INFORMATION. REPLACEMENT OF EXISTING RECEPTACLES WITH GFCI TYPE (OR DROP CORD CIRCUITS WITH GFCI TYPE BREAKERS) MAY BE REQD - FIELD VERIFY.

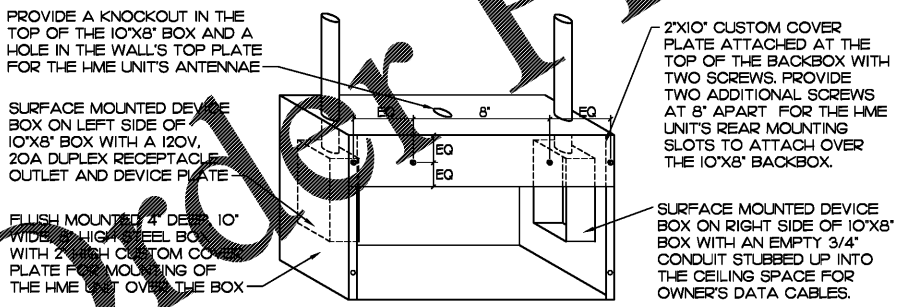
NOTE: NEC 110.26 REQUIRES WORKING CLEARANCE, 30 INCHES WIDE (OR WIDTH OF EQUIPMENT, WHICHEVER IS GREATER), 36 INCHES DEEP, AND 6'-6" HIGH AREA MAY BE CENTERED OR TO THE LEFT OR RIGHT OF THE PANEL AND MAY OVER-LAP CLEARANCE OF AN ADJACENT PANEL.

THE INFORMATION USED TO DEVELOP THE EXISTING CONDITIONS AS SHOWN ON THESE PLANS IS FROM PREVIOUS BUILDING DRAWINGS AND PHOTOS OF EXISTING PANEL SCHEDULES. WHAT WAS SHOWN ON PLAN AND WHAT WAS ACTUALLY INSTALLED MAY VARY. FIELD VERIFY ALL EXISTING CONDITIONS.



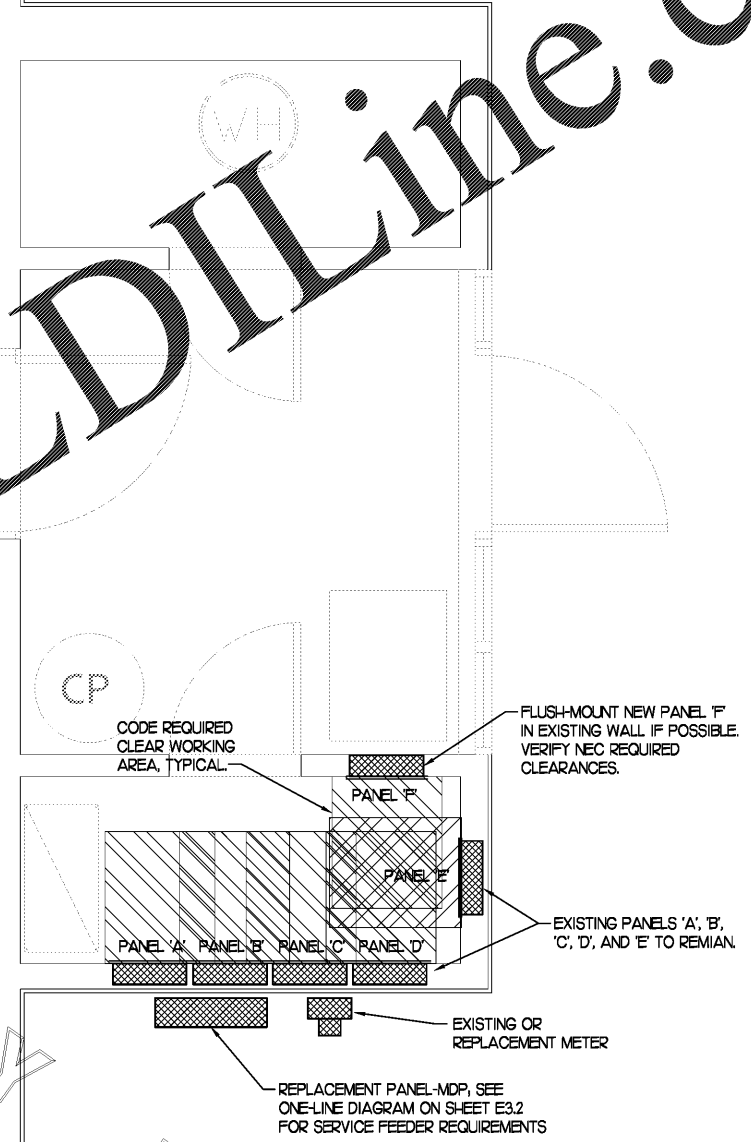
7 ANSUL SYSTEM PANEL WIRING DIAGRAM

NOT TO SCALE



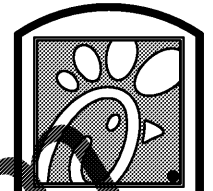
8 HME UNIT'S POWER & DATA BOX DETAIL

NO SCALE



9 LARGE SCALE ADDITION POWER PLAN

SCALE: 1/2" = 1'-0"



5200 Buffington Rd.
Atlanta Georgia,
30349-2998

Revisions:
Mark Date By
△ 06.30.17
ISSUED FOR PERMIT

Mark Date By
△ 07.11.17
ISSUED FOR BID

Mark Date By
△

Seal
STATE OF KENTUCKY
MARK T. KURZYNSKE
01-11-17

Kurzynske & Associates
CONSULTING ENGINEERS
2900 Lebanon Pike, Ste 201
Nashville, Tennessee 37214
Telephone: (615) 255-5203
Fax: (615) 255-5207
Email: mtk@kurzynske.com

STORE #02593
HOUSTON ROAD FSU

4980 HOUSTON RD
FLORENCE, KY
41042

SHEET TITLE
LARGE SCALE
POWER PLAN

VERSION: S08C-R
ISSUE DATE: 05.2017

Job No. : 17091.CD.R
Store : 02593
Date : 06.30.17
Drawn By : RW
Checked By : MK

Sheet
E2.3