

**FUSIBLE LINK RATINGS**

| ITEM                | TEMP |
|---------------------|------|
| OPEN FRYERS         | 450° |
| 2 BURNER / FLAT TOP | 450° |
| PRESSURE FRYERS     | 450° |
| GRILL               | 450° |
| EXHAUST COLLARS     | 450° |

**ANSUL R-102 FIRE SYSTEM NOTES**

TWO TANK SYSTEM MOUNTED ON TOP OF (H-3)  
MAXIMUM FLOW POINTS = 22

| ITEM #                        | QTY | DESCRIPTION       | FLOW PTS (TOTAL) |
|-------------------------------|-----|-------------------|------------------|
| 1W                            | 2   | DUCT NOZZLES      | 2                |
| 1N                            | 2   | PLENUM NOZZLES    | 2                |
| 245                           | 1   | APPLIANCE NOZZLES | 2                |
| 3N                            | 3   | APPLIANCE NOZZLES | 9                |
| 260                           | 2   | APPLIANCE NOZZLES | 4                |
| <b>TOTAL FLOW POINTS - 19</b> |     |                   |                  |

| ITEM # | QTY | DESCRIPTION                                   |
|--------|-----|---|
| #200   | 6   | SERIES DETECTORS W/ FUSIBLE LINKS             |
| #201   | 1   | TERMINAL DETECTOR W/ FUSIBLE LINKS            |
| #202   | 1   | REGULATED RELEASE W/ DOUBLE POLE MICRO SWITCH |
| #203   | 2   | 3 GALLON TANKS                                |
| #204   | 1   | SINGLE TANK ENCLOSURE                         |
| #205   | 1   | REMOTE PULL STATION                           |

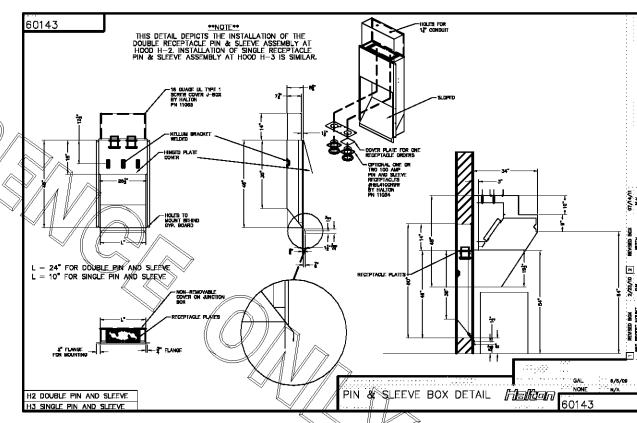
**ANSUL R-102 FIRE SYSTEM**  
UL LISTED PER STD LATEST STD 300

1. FINAL INSTALLATION IS TO BE MADE IN ACCORDANCE WITH ALL APPLICABLE CODES

2. ALL ELECTRICAL COMPONENTS FOR EQUIPMENT SHUT DOWN TO BE PROVIDED BY THE ELECTRICIAN.

3. MICRO-SWITCH INSTALLED IN REGULATED RELEASE BY ANSUL INSTALLER

4. REMOTE PULL STATION LOCATED PER MECHANICAL DRAWINGS



**Halton**

MAIL APPROVED DRAWINGS TO APPROPRIATE FACTORY BELOW: WEBSITE: WWW.HALTONCOMPANY.COM

**HALTON CO. (USA)**  
101 INDUSTRIAL DRIVE  
SCOTTSDALE, KY 42164  
1-270-237-9600

**HALTON CO. (CANADA)**  
1021 BREVIK PLACE  
MISSISSAUGA, ON  
1-905-624-0301

**PROJECT:** CHICK-FIL-A #2593 HOUSTON ROAD  
**LOCATION:** FLORENCE, KY  
**DRAWN BY:** M.H. **DATE:** 06.26.17  
**SCALE:** NTS  
Halton Dwg: U17-483-01

**Halton**  
CARE FOR INDOOR AIR

**M.H.I.**

THIS DRAWING MUST BE CHECKED, SIGNED AND RETURNED TO THE APPROPRIATE FACTORY. PLEASE VERIFY THE FOLLOWING:

- ALL DIMENSIONAL INFORMATION, MOUNTING DIMENSIONS
- THE LOCATION AND TYPE OF COOKING EQUIPMENT.

**NOTE TO APPROVER:**  
ANY CHANGES IN COOKING EQUIPMENT SUCH AS AN INCREASE IN ENERGY IN OR POSITION MAY AFFECT EXHAUST AIR FLOW. HALTON MUST BE NOTIFIED IN ADVANCE IF CHANGES OCCUR. A RECALCULATION OF EXHAUST AIR FLOW MAY BE REQUIRED.

REVISE AND RESUBMIT  
 APPROVED FOR FABRICATION  
 WITH NO CHANGES  
 APPROVED BY \_\_\_\_\_

**DATE:** \_\_\_\_\_