



2531 CENTER WEST PARKWAY SUITE 200  
PHONE 706.736.3661 FAX 706.736.4552  
AUGUSTA, GEORGIA 30909

PROJECT NAME: Renovation for Augusta Oncology

ADDENDUM NO. 001

DATE: May 11, 2017

---

ADDENDUM NUMBER ONE:

1. This addendum shall form a part of the bid documents and any contract entered into connection there with equally as if bound into the specifications.
2. Specifications and Drawings previously issued are modified and/or supplemented as noted below.

SPECIFICATIONS:

1. SECTION 00100- INVITATION TO BID, subparagraph B: **CHANGE** Bid date to "March 23, 2017 at 2:00 pm."
2. SECTION 00410 - BID FORM, Subparagraph 1.0: **CHANGE** Bid date to "March 23, 2017 at 2:00 pm."

DRAWINGS:

1. SHEET A5.2 MILLWORK DETAILS AND SHEET IN1.1 FINISH SCHEDULE: **CLARIFICATION** "All millwork exteriors will be plastic laminate over 3/4" MDF board." Also, "All solid surfaces shall be Wilsonart solid surface EOSCU."
2. SHEET A4.1 DOOR SCHEDULE; See Attachment 1 Specification Sheet for Doors #1, #2, #3, and #4. Also see Attachment 2 for Specification for Pass Thru Window. There are two (2) Pass Thru Windows – both are in Room 166A.

ATTACHMENTS:      Attachments 1 Specification Sheet for Doors #1, #2, #3, and #4.  
                            Attachment 2 for Specification for Pass Thru Window

---

END OF ADDENDUM No. 1

ATTACHMENT ①

DOORS #1, #2, #3, #4

# TERRA UNIVERSAL

## Critical Environment Solutions

Website Prices Honored Worldwide

Door, Single; Swing, SDPVC, pre-hung on Aluminum Frame, 36"W x 81"H



Part #: 6710-90

Manufacturer: Terra Universal, Inc.

U.S. orders include packaging.

Product URL: <https://www.terrauniversal.com/product/6710-90>

TerraUniversal.com

Cleanroom-compatible materials are easy to clean and disinfect.

- External Dimensions: 40.167"W x 7.75"D x 83.25"H (1025 mm x 200 mm x 2115 mm)
- Door Dimensions: 36"W x 81"H
- Total depth includes door (1.75") plus handle
- Materials: SDPVC door, framed with aluminum, and pre-hung in aluminum door frame
- Includes handle and hidden pneumatic closure
- Includes swing door stop
- Doors open out from cleanroom (left-hand reverse)
- Cleanroom doors must be crated separately in order to prevent damage during transit
- Unless otherwise specified, Unit Price includes packaging costs

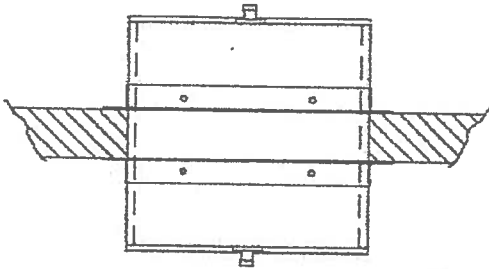
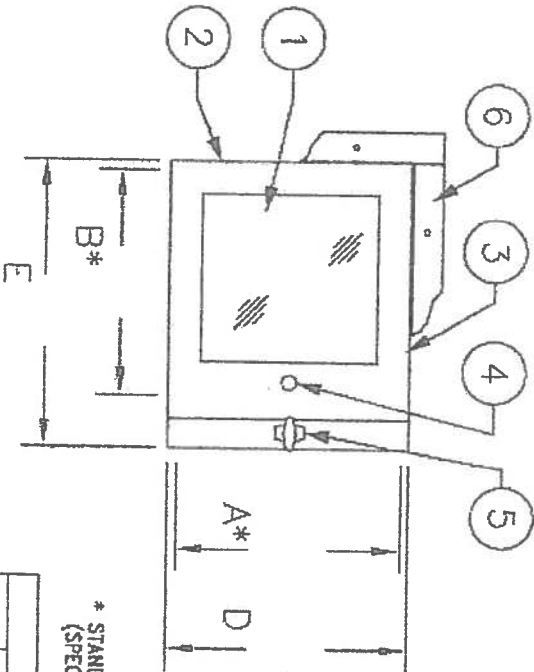
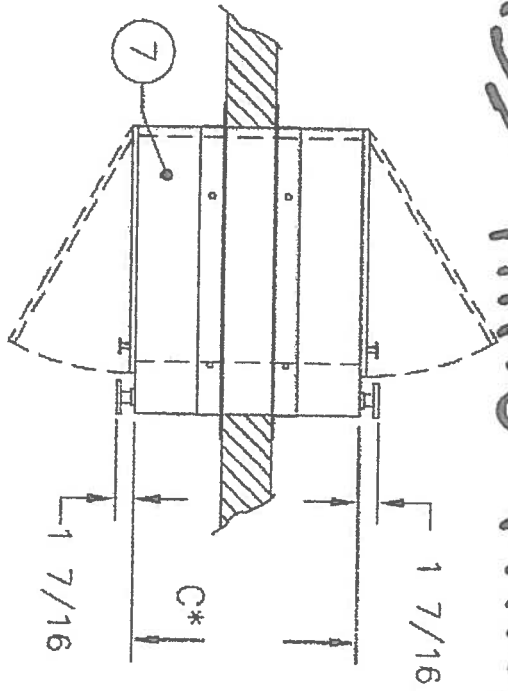
Packaged Weight: 300 lbs

Product Dimensions, in. 40.167 W, 7.75 D, 83.25 H

Package Dimensions, in. 46 W, 13 D, 89 H

The price and ship time shown may have changed since this document was printed or saved.  
Current product information can be found on the [TerraUniversal.com](https://www.terrauniversal.com) website or by calling Terra at 714-578-6000.

# PASS THRU WINDOW



**FEATURES:**

1. 1/4 CLEAR ACRYLIC WINDOW
2. STAINLESS STEEL CONTINUOUS HINGE
3. STAINLESS STEEL DOOR FRAME
4. 90° TURN DOOR LATCH
5. 90° TURN INTERLOCK LATCH
6. 8PC PERIMETER STAINLESS STEEL MOUNTING FRAME (1-5/8" X 2-3/8" ANGLE)

**MATERIAL:**

7. POLYPROPYLENE (PP)
- STAINLESS STEEL (SST)

**WINDOW OPTIONS:**

- YELLOW ACRYLIC
- POLYCARBONATE
- PVC
- ANTI-STATIC PVC
- U.V. FILTERING ACRYLIC
- TEMPERED SAFETY GLASS
- NO WINDOW (SOLID SST DOOR)

**NOTES:**

WALL CUTOUT IS (E+1/2) BY (D+1/2)

OPERATION -- ONE HAND:  
 TURN KNOB ⑤ TO OPERATE INTERLOCK  
 TURN KNOB ④ TO OPEN OR CLOSE DOOR



\* STANDARD INTERIOR DIMENSIONS  
 (SPECIAL SIZES AVAILABLE)

STANDARD SIZES							
*A	*B	*C	SS	D	PP	SS	E
12	12	12	14	13	16-3/4	16	1/2
18	18	18	20	19	22-3/4	22	1/2
24	24	24	26	25	28-3/4	28	1/2

PASS THRU  
 CAP18W -- WITH INTERLOCK

Order No. AIS	Date 07/21/09	Quote No.
ID/Version 18W-Interlock - Thin Wall	Thin Wall	C
Drawn By	18W-Interlock - Thin Wall	Sheet No.

NOTE: STAINLESS STEEL PASS THRU'S WILL HAVE THE SAME EXTERIOR DIM. FOR INTERLOCKING AND NON INTERLOCKING UNITS UNLESS NOTED

18" x 18" →

INNOTECH PRODUCTS INC 1045 10TH AVE SE MINNEAPOLIS, MN 55414  
 TOLL-FREE: 1-888-270-0458 PHONE: 612-827-6880 FAX: 612-827-0789  
 Email: info@innotechprod.com Web: www.innotechprod.com