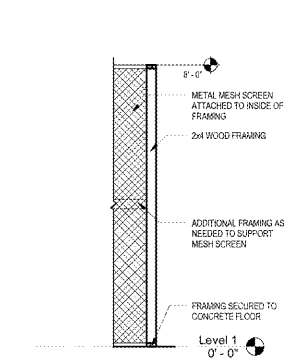
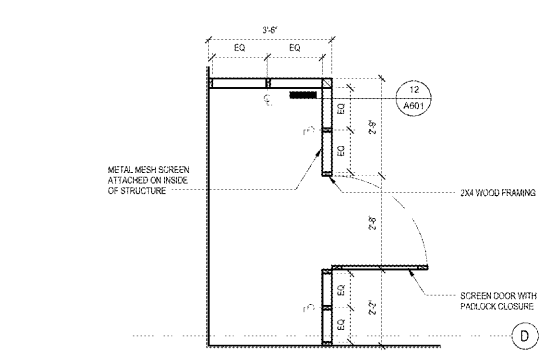


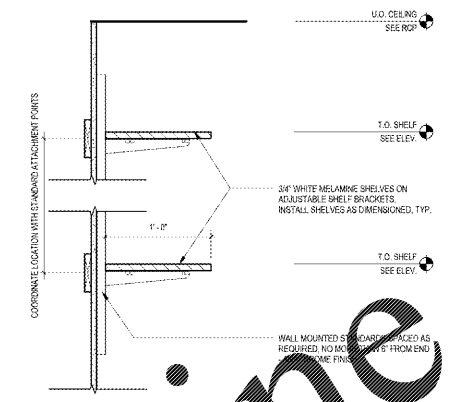
Order Plans



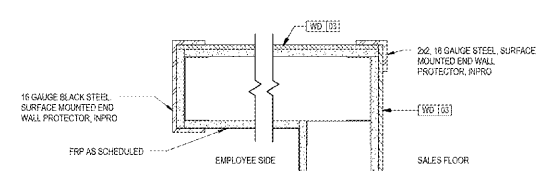
SECTION @ MEAD CAGE
1/2" = 1'-0"



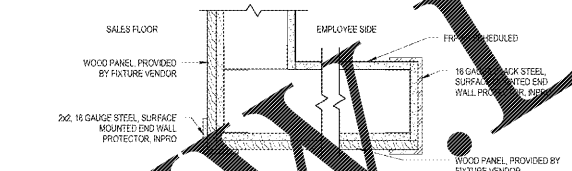
ENLARGED PLAN @ MEAD CAGE
1/2" = 1'-0"



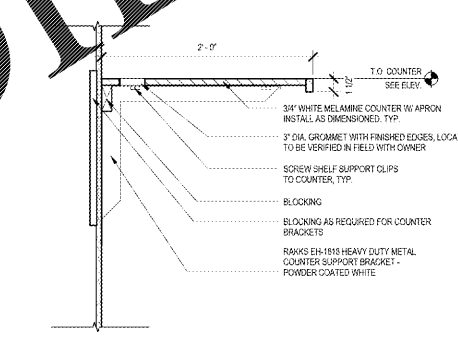
DETAIL @ BOH SHELVING-PS-S
1 1/2" = 1'-0"



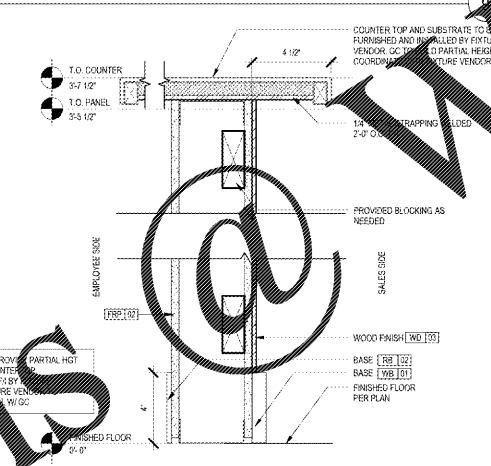
DETAIL @ MEAD BAR WING WALL
3/4" = 1'-0"



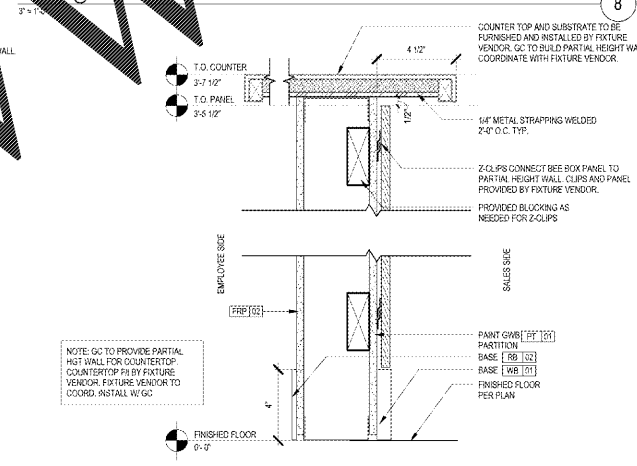
DETAIL @ HONEY WING WALL
3/4" = 1'-0"



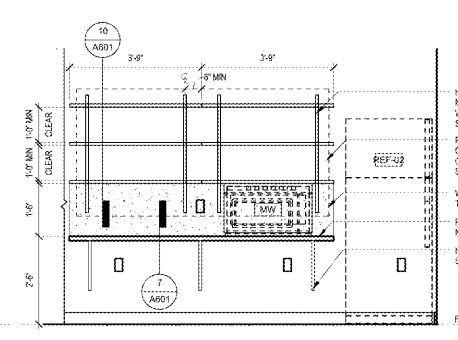
DETAIL @ BOH COUNTER - PS-C
1 1/2" = 1'-0"



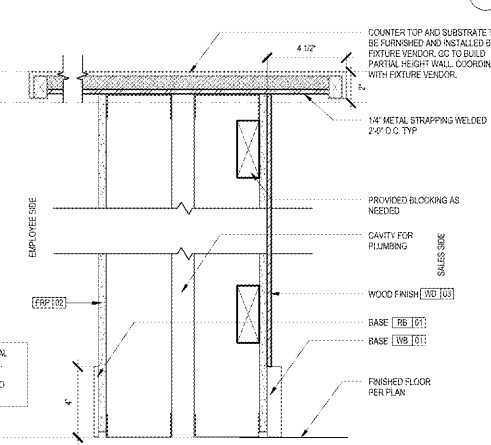
SECTION @ MEAD BAR 2
3/4" = 1'-0"



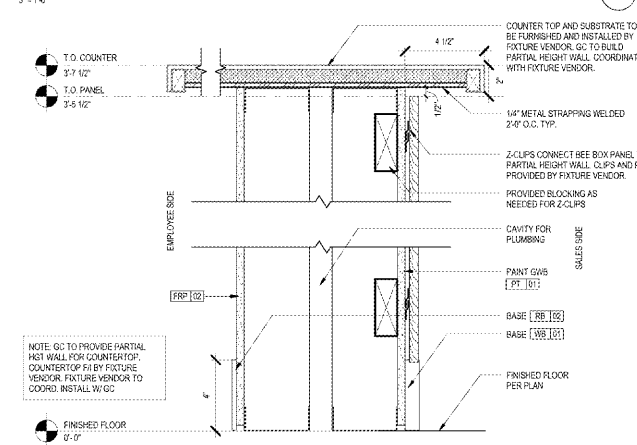
SECTION @ HONEY BAR 2
3/4" = 1'-0"



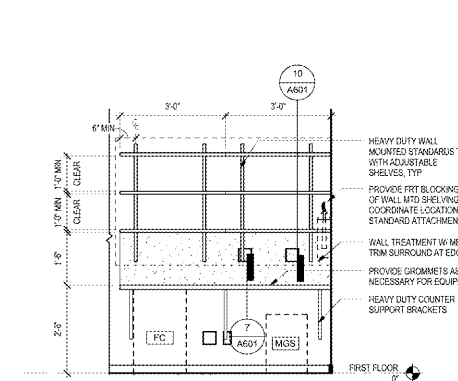
ENLARGED ELEVATION @ BREAK DESK
1/2" = 1'-0"



SECTION @ MEAD BAR 1
3/4" = 1'-0"

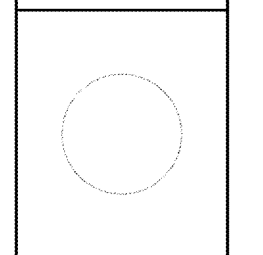


SECTION @ HONEY BAR 1
3/4" = 1'-0"



ENLARGED ELEVATION @ MANAGER'S DESK
1/2" = 1'-0"

Bergmeyer
Architectural and Interior
Design Associates, Inc.
1100 Howell Mill Road Suite A01
Atlanta, GA 30318
Phone: 404.524.1200
Fax: 404.524.1202
www.bergmeyer.com



RELEASED FOR CONSTRUCTION

MS	541917	ISSUED FOR PERMIT/ID
MS	032417	ISSUED FOR LL REVIEW
NO	1	DATE DESCRIPTION

SAVANNAH BEE COMPANY
WESTSIDE PROVISIONS
1100 HOWELL MILL RD SUITE A01
ATLANTA, GA 30318

INTERIOR AND MILLWORK
DETAILS

DRAWN BY: MS
REVIEWED BY: JP
JOB NO: 10201 06

A601