

**VEEDER-ROOT  
GENERAL NOTES**

1. CHICO COMPOUND ALL EYE SEAL OFFS PER NFPA SPECIFICATION.
2. RUN ONE CABLE FOR EACH TANK LEVEL MONITOR (TLM), LEAK SENSOR (LS), AND INTERSTITIAL SENSOR. NO SPLICES ARE ALLOWED IN CABLE RUN FROM MONITORING CONSOLE AND SENSOR JUNCTION BOX. IDENTIFY EACH CABLE WITH SENSOR TYPE AND LOCATION.
3. CONTACT FACTORY FOR CABLE RUNS GREATER THAN 100'.
4. THE VEEDER-ROOT SITE MONITORING SYSTEM SHALL BE PROGRAMMED TO AUTOMATICALLY ALARM UPON DETECTION OF ANY TYPE OF LIQUID AT ANY SENSOR. ALL ALARMS WILL BE LOCAL AND REMOTE. OFF-SITE OPERATIONS OFFICE. ALARMS WILL NOT IMMEDIATELY 24 HOURS A DAY, 7 DAYS A WEEK AT LOCAL AND REMOTE LOCATIONS.
5. LABEL ALL SENSORS WITH THE INSIDE OF THE VEEDER-ROOT PANEL DOOR IN THE AREA PROVIDED BY VEEDER-ROOT.
6. VEEDER-ROOT SYSTEM AND ALL SENSORS ARE SUPPLIED BY OTHER AND INSTALLED BY GENERAL CONTRACTOR.
7. EPOXY SEAL SHALL BE APPLIED AT ALL WIRE CONNECTIONS AFTER AUTHORIZED SERVICE ORGANIZATION (S/O) HAS STARTED THE SITE MONITORING FROM A BARE GROUND WIRE MUST BE INSERTED IN THE EPOXY UP TO AND INCLUDING INSULATION AND CABLE JACKET. REF 3-FSE5.
8. INSTALLATION SHOULD BE BASED ON THE MANUFACTURER'S RECOMMENDATION AND INSTALLATION MANUAL OF THE VEEDER-ROOT SYSTEM. DEVIATION FROM THESE RECOMMENDATIONS, INCLUDING THE INSTALLATION OR USE OF NON-APPROVED COMPONENTS, COULD RESULT IN UNSAFE CONDITIONS OR UNRELIABLE OPERATION.
9. INSTALLATION SHALL COMPLY WITH THE NATIONAL ELECTRICAL CODE, FEDERAL, STATE, LOCAL CODES, AND ANY OTHER APPLICABLE SAFETY CODES.

STIPULATION FOR THE...  
 THE CONTRACTOR SHALL BE RESPONSIBLE FOR THE PROTECTION OF ALL EXISTING UTILITIES AND STRUCTURES. THE CONTRACTOR SHALL BE RESPONSIBLE FOR THE PROTECTION OF ALL EXISTING UTILITIES AND STRUCTURES. THE CONTRACTOR SHALL BE RESPONSIBLE FOR THE PROTECTION OF ALL EXISTING UTILITIES AND STRUCTURES.

**MPW**  
 CONSULTANTS  
 MPW ENGINEERING, LLC  
 1100 N. WINDY HILL DRIVE  
 APOPKA, FL 32703  
 TEL: 407-291-1000  
 FAX: 407-291-1001

**Walmart**  
 APOKA, FL  
 STORE NO. 6894  
 JOB NUMBER: 0971-01-006 | PHOTO  
 WMBF-742

ISSUE BLOCK	

CHECKED BY: JDS  
 DRAWN BY: DJA  
 FILE NAME: FSE5  
 PROTO CYCLE: 02/10/17  
 DOCUMENT DATE: 04/07/17

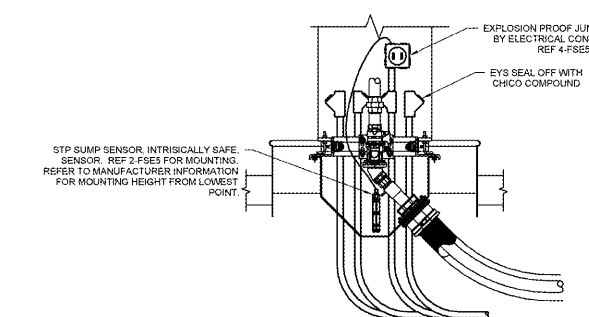
BID SET  
 NOT FOR  
 CONSTRUCTION

THIS ITEM HAS BEEN ELECTRONICALLY SIGNED AND SEALED BY JARON MORSE. PLEASE ON THE DATE AND/OR TIME STAMP SHOWN USING A DIGITAL SIGNATURE. PRINTED COPIES OF THIS DOCUMENT ARE NOT CONSIDERED SIGNED AND SEALED AND THE SIGNATURES MUST BE VERIFIED ON ANY ELECTRONIC COPIES.

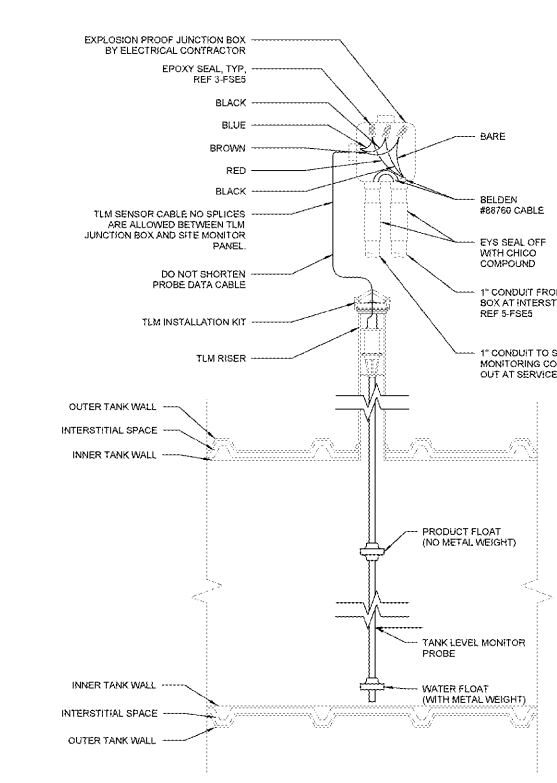
**SITE MONITORING WIRING DIAGRAM**

SHEET: FSE5

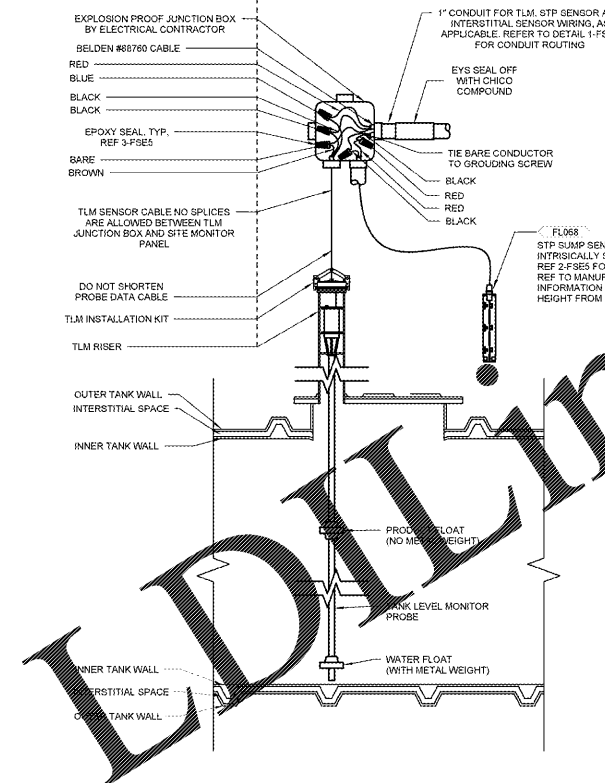
**8 DISPENSER SUMP SENSOR DETAIL**  
 NTS



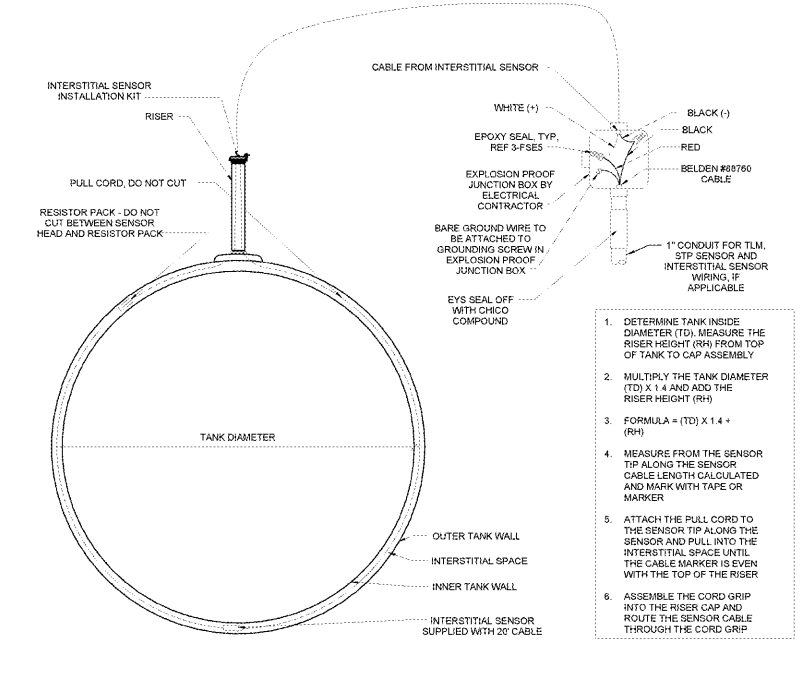
**7 TANK LEVEL MONITOR (TLM)**  
 NTS



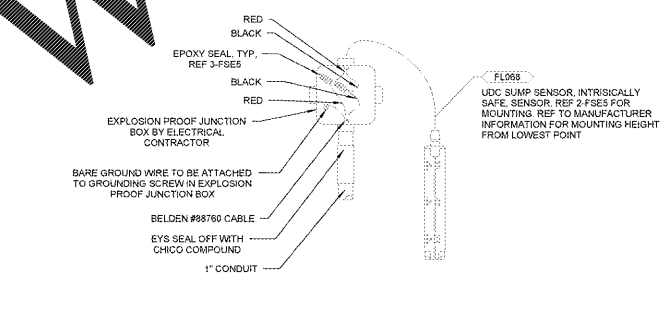
**6 TANK LEVEL MONITOR (TLM) IN STP SUMP**  
 NTS



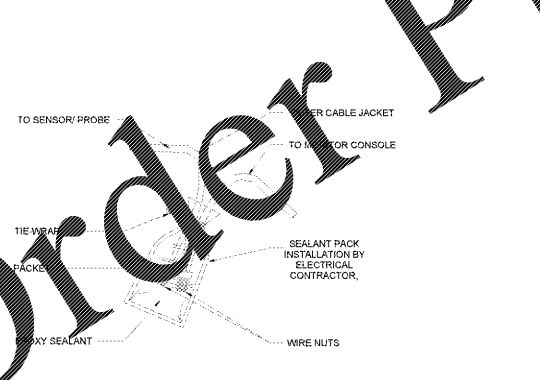
**5 TANK INTERSTITIAL SENSOR MOUNTING DETAIL (TYPICAL)**  
 NTS



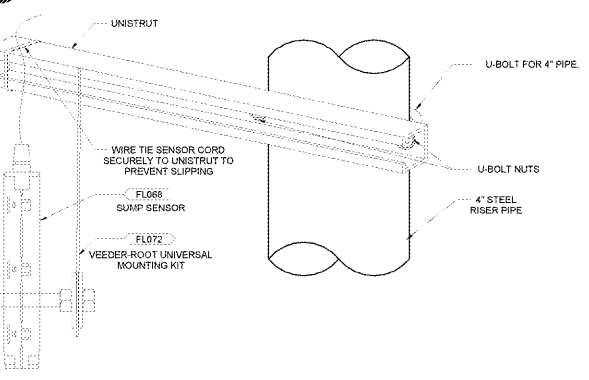
**4 UDC SUMP SENSOR MOUNTING DETAIL**  
 NTS



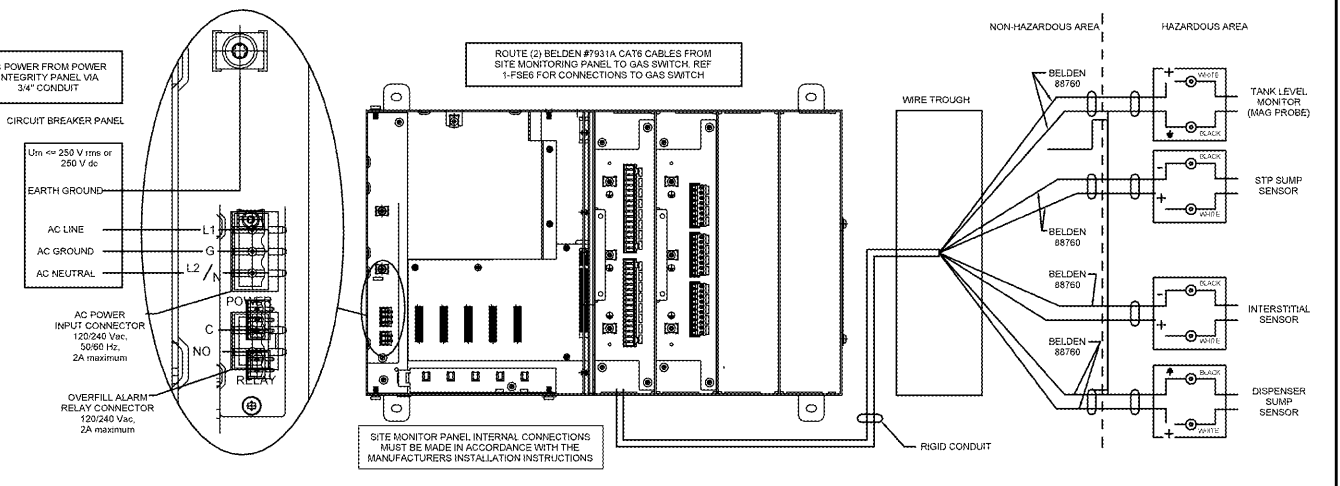
**3 WIRE CONNECTION EPOXY SEAL DETAIL**  
 NTS



**2 STP SUMP SENSOR SUPPORT**  
 NTS



**1 VEEDER-ROOT CONSOLE (SITE MONITOR PANEL)**  
 NTS



**Order Plans**

**WWW.LDLINE.COM**

**@**