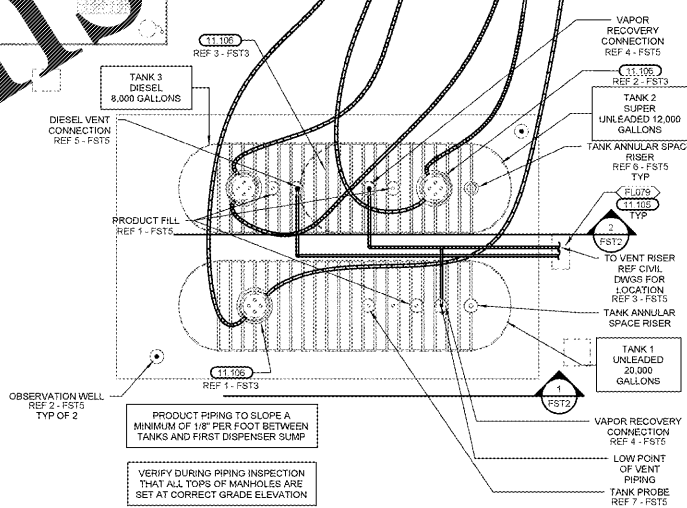
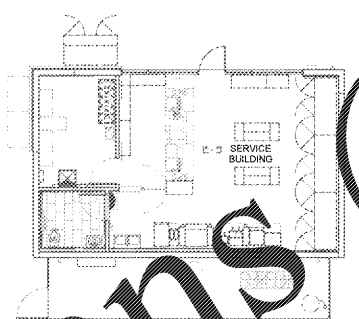
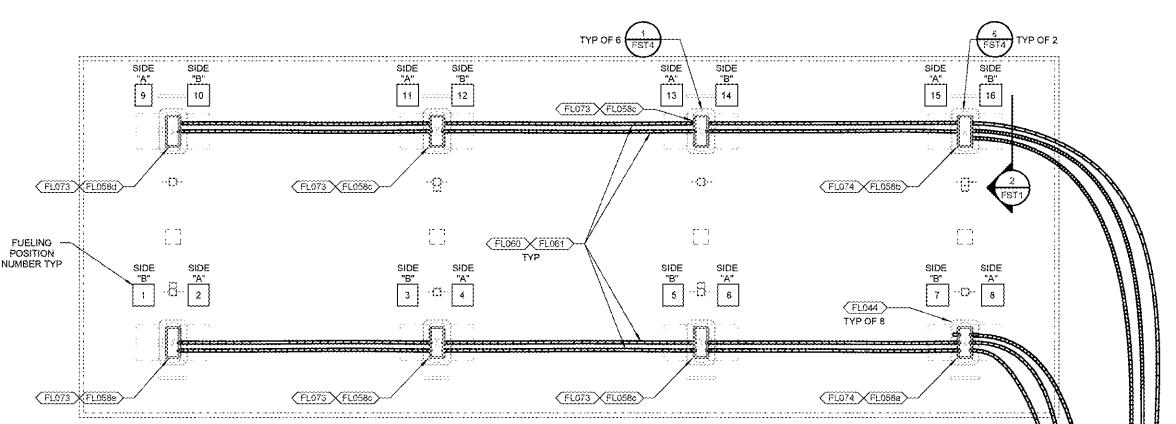


GENERAL NOTES

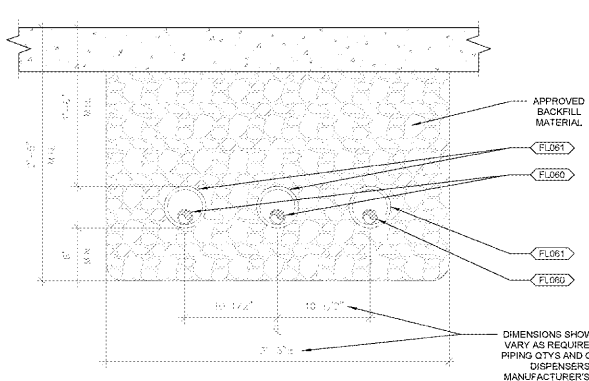
1. REF EQUIPMENT SCHEDULE SHEET
2. GENERAL CONTRACTOR SHALL SUPPLY AND INSTALL ALL ITEMS SHOWN UNLESS OTHERWISE SPECIFIED OR NOTED.
3. GENERAL CONTRACTOR MUST BE CERTIFIED TO INSTALL ALL SPECIFIED PETROLEUM EQUIPMENT PROVIDED ON THE DRAWINGS OR HAVE MANUFACTURER'S REPRESENTATIVE ON SITE TO CERTIFY INSTALLATION. WRITTEN VERIFICATION WILL BE REQUIRED IN ORDER TO RECEIVE FINAL PAYMENT.
4. SUPPLY AND INSTALL SUMPTITE SEALANT ON ALL TANK AND DISPENSER SUMPS IF WATER IS 5% OR MORE OF THE UNDERGROUND SPACE. ALL SEAMS, SUPPLY LINES, AND CONDENSER PENETRATIONS ARE TO BE COATED. APPLICATION MUST BE TRAINED AND CERTIFIED IN SUMPTITE PRODUCTS (CONTACT ROGER MCHENRY AT 800-800-1081).
5. STAGE I VAPOR RECOVERY SYSTEM SHALL BE INSTALLED AND TESTED AS PER CAREX TECHNICAL ORDER NUMBER VRS-1 (LATEST VERSION). GENERAL CONTRACTOR SHALL VERIFY THAT THE INSTALLATION AND TESTING FOR TANK VAPOR RECOVERY MEETS FEDERAL, STATE, AND LOCAL REQUIREMENTS.
6. TANKS SHALL BE FILLED WITH A MINIMUM OF 250 GALLONS OF FUEL THROUGH EACH DISPENSER POINT. AFTER PURGING, REPLACE TANK FILTERS WITH PROTECTOR MODEL 4910-1 (GASOLINE) AND MODEL 4930-1 (DIESEL). PROPERLY DISPOSE OF ALL FACTORY FILTERS AFTER USE.
7. THE FUEL DELIVERY OPERATOR WILL BE NOTIFIED WHEN TANKS REACH 90% CAPACITY BY RESTRICTING FLOW OF FUEL DELIVERY. FUEL DELIVERY WILL BE TERMINATED WHEN TANK CAPACITY REACHES 93%. FOLLOW MANUFACTURER'S INSTRUCTIONS FOR SETTING OVERFILL DEVICE TO PROPER DEPTH FOR OPERATION AT SPECIFIED TANK CAPACITIES.
8. CONFIRM THAT THERE IS NO WATER IN THE TANKS PRIOR TO FUEL DELIVERY. OWNER WILL REQUIRE A SIGNED COPY OF THE FUEL DELIVERY TICKET, WHICH MUST INDICATE THAT THERE WAS NO WATER IN THE UNDERGROUND STORAGE TANKS AND CONTAIN THE SIGNATURE OF THE DELIVERY PERSON AND THE CONTRACTOR'S REPRESENTATIVE.
9. COORDINATE PRODUCT PIPING, VENT PIPING, AND CONDUITS SO AS NOT TO INTERFERE WITH SERVICE BUILDING PIPE BOLLARD PLACEMENT.
10. ALL FIBERGLASS VENT PIPING SHALL BE 3" DIAMETER UNLESS OTHERWISE NOTED.
11. TANKS, TANK STRAPS, TURNBUCKLES, DEADMEN AND STEEL ANCHORS TO BE SUPPLIED BY OWNER REALTY FROM TANK MANUFACTURER. INSTALL PER THE TANK MANUFACTURER'S SPECIFICATIONS. COORDINATE OWNER SUPPLIED ITEMS WITH CONSTRUCTION MANAGER.
12. ALL METAL ON THE TANK ANCHORING SYSTEM MUST BE GALVANIZED TO PROTECT AGAINST CORROSION.
13. APPLY ANTI-SEIZE COMPOUND TO ALL BOLTED MANHOLE COVERS.
14. UNIONS SHALL BE INSTALLED AT ALL PRODUCT PIPING CONNECTIONS AS REQUIRED TO ALLOW FOR REMOVAL OF EQUIPMENT THROUGH THE MANWAY COVERS.
15. FLEXIBLE CONNECTORS WILL BE ACCEPTED AT THE VENT LINE CONNECTION AT THE RISER AND REMOTE VENT. ALL FLEXIBLE CONNECTORS USED THAT WILL BE IN DIRECT CONTACT WITH FILL MATERIAL WILL BE REQUIRED TO HAVE TWO LAYERS OF PRIME AND WRAP MATERIAL. REF TO EQUIPMENT SCHEDULE ITEM NUMBER 45 FOR CONNECTOR SPECIFICATION.
16. ALL SUBMERSIBLE PUMP CONNECTIONS TO PRODUCT PIPING SHALL HAVE ONE UNION AND BALL VALVE LOCATED IN THE PUMP ENCLOSURE MANWAY.
17. FLEXIBLE CONNECTORS FOR THE ELECTRICAL CONNECTIONS FROM EXPLOSION PROOF JUNCTION BOX TO SUBMERSIBLE PUMP WILL NOT BE ACCEPTED. ALL CONNECTIONS MUST BE WITH RIGID CONDUIT.
18. FOR ELECTRICAL CONDUIT SIZE AND ROUTING REFERENCE THE FUEL STATION ELECTRICAL DRAWINGS.
19. ALL PRIMARY AND SECONDARY PIPING SHALL BE AIR TESTED PER MANUFACTURER'S REQUIREMENTS. REMOVE THE TEST TUBE AND LEAVE IN SUMP AFTER COMPLETING TEST.
20. ALL DISPENSER KEYS SHALL BE GIVEN TO THE OWNER ALONG WITH TWO COMPLETE KEY RINGS CONTAINING DISPENSER KEYS.
21. THE DISPENSER REMOTE CONTROL SHALL BE STORED IN THE HEAD OF THE #1 DISPENSER. AFTER START UP IS COMPLETE, THE REMOTE SHALL BE GIVEN TO THE OWNER.

KEYNOTES

- 11.106 3" FIBERGLASS VENT PIPING SLOPED MINIMUM 1/8" PER FOOT TO TANKS FROM REMOTE VENT. REFER TO VENT RISER DETAIL AND CIVIL DRAWINGS FOR LOCATION OF REMOTE VENT. PROVIDE SLOPED PIPE AND FITTINGS CONFIGURATION AT MANIFOLDED TANKS THAT DIRECTS CONDENSATE TO REGULAR UNLEADED TANK.
- 11.106 CONTAINMENT MANWAY WITH SUBMERSIBLE PUMP, TANK PROBE, INTERSTITIAL RISER, AND EQUALIZATION PIPING AS APPLICABLE. REFER TO STP SUMP PLANS.



PIPING TRENCHES SHALL BE DUG IN SUCH A MANNER THAT THE TRENCH WIDTH IS EQUAL TO AT LEAST TWICE THE WIDTH OF ALL THE FLEXIBLE PIPING CONTAINED WITHIN. MAINTAIN A MINIMUM OF 4" (100mm) CLEAR DISTANCE BETWEEN FLEXIBLE PIPING POSITIONED IN THE TRENCH AND 2 1/2" WHERE PIPING CROSSES OVER EACH OTHER. THE BOTTOM OF THE TRENCH SHALL BE AS UNIFORM AS POSSIBLE TO ELIMINATE HIGH SPOTS AND ENSURING AN EVEN LAYER OF BEDDING MATERIAL UNDER THE PIPE. REMOVE ALL SHARP ROCKS AND DEBRIS FROM THE TRENCH BOTTOM BEFORE BEDDING MATERIAL IS INSTALLED. IF PIPING TRENCH IS IN UNPAVED AREA, A MINIMUM OF 20" OF APPROVED BACKFILL IS REQUIRED.



1 PIPING PLAN
1/8" = 1'-0"

2 PRODUCT PIPING TRENCH
NTS

STIPULATION FOR THE USE OF THIS DRAWING IS LIMITED TO THE PROJECT AND SITE SPECIFICALLY IDENTIFIED HEREON. IT IS NOT TO BE REPRODUCED, COPIED, OR TRANSMITTED IN ANY FORM OR BY ANY MEANS, ELECTRONIC OR MECHANICAL, INCLUDING PHOTOCOPYING, RECORDING, OR BY ANY INFORMATION STORAGE AND RETRIEVAL SYSTEM, WITHOUT THE WRITTEN PERMISSION OF THE ORIGINAL DESIGNER. ANY REUSE OF THIS DRAWING FOR ANY OTHER PROJECT OR SITE WITHOUT THE WRITTEN PERMISSION OF THE ORIGINAL DESIGNER IS STRICTLY PROHIBITED.

CONSULTANTS
MPW
MPW ENGINEERING, LLC
1100 N. UNIVERSITY AVENUE, SUITE 200
APOPKA, FL 32112
TEL: 407.884.1100
WWW.MPWENGINEERING.COM

Walmart
APOPKA, FL
STORE NO. 0884
09/15/06 - PHOTO

ISSUE BLOCK

NO.	DESCRIPTION	DATE

CHECKED BY: MMW
DRAWN BY: TD1
FILE NAME: FST1
PROTO CYCLE: 02/10/17
DOCUMENT DATE: 04/07/17

BID SET
NOT FOR
CONSTRUCTION

THIS ITEM HAS BEEN ELECTRONICALLY SIGNED AND SEALED BY SCOTT C. WEBB. PE ON THE DATE AND/OR TIME STAMP SHOWN USING A DIGITAL SIGNATURE. PRINTED COPIES OF THIS DOCUMENT ARE NOT CONSIDERED SIGNED AND SEALED AND THE SIGNATURES MUST BE VERIFIED ON ANY ELECTRONIC COPIES.

PIPING PLAN AND DETAILS

SHEET: **FST1**

Order Plans @ www.LDILine.com