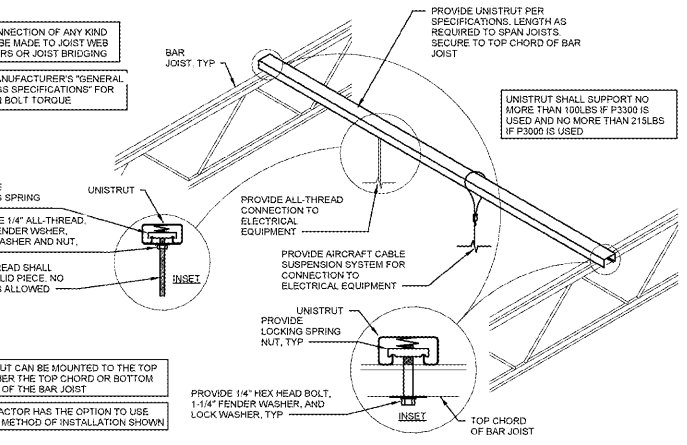
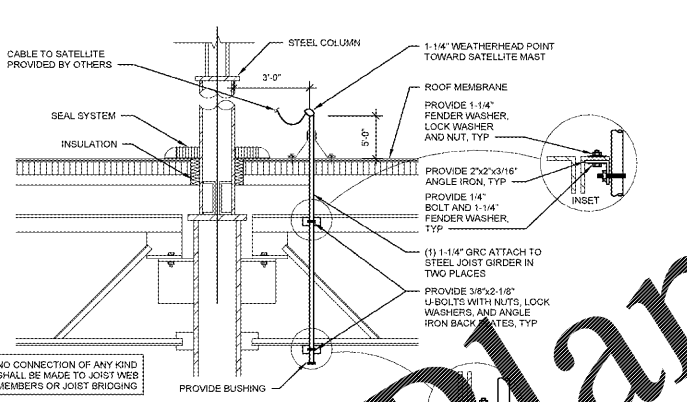


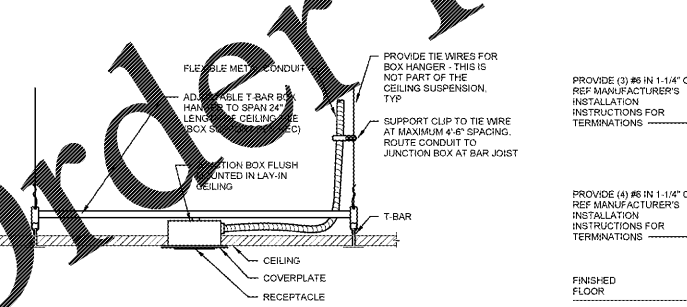
9 ALARM BACKBOARD
NTS



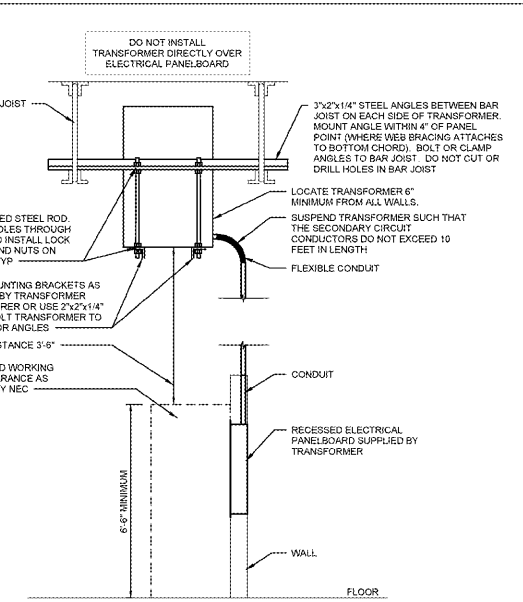
8 GENERAL ELECTRICAL CONNECTIONS TO STRUCTURE
NTS



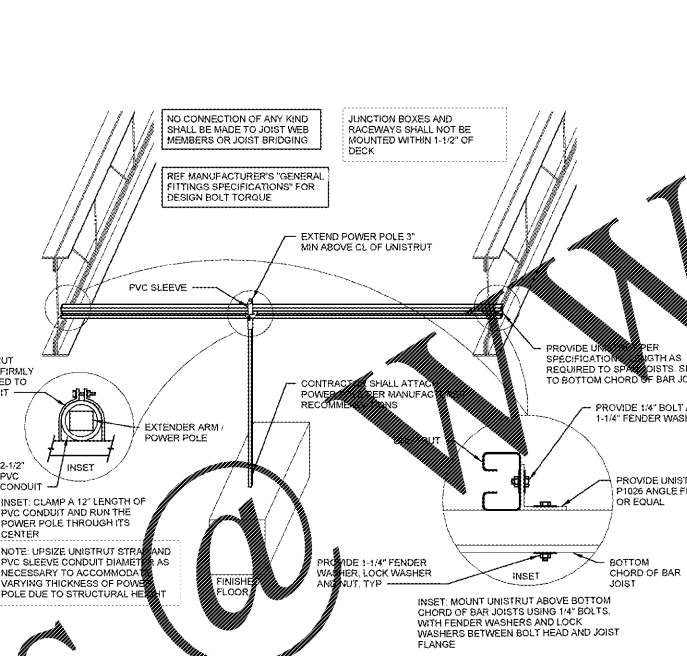
5 SATELLITE DISH
NTS



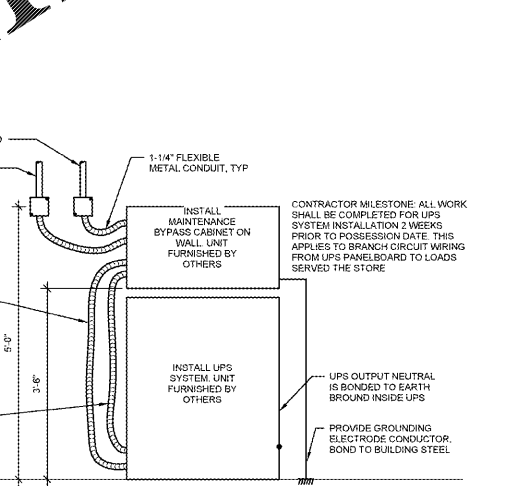
4 CEILING MOUNTED RECEPTACLE
NTS



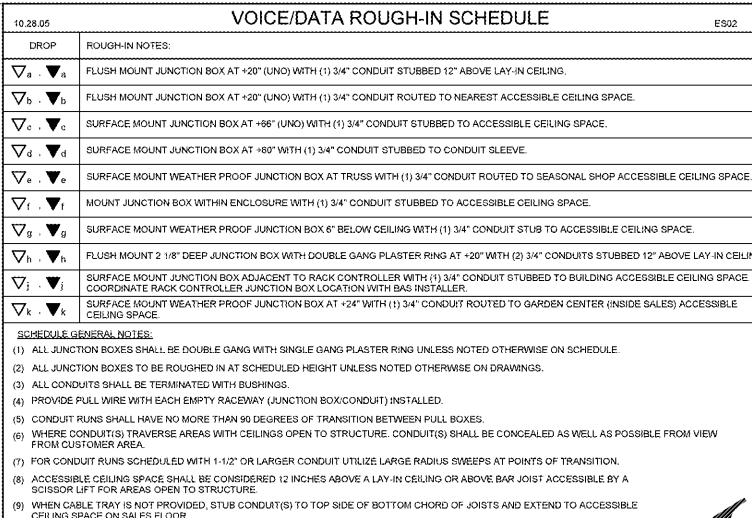
10 SUSPENDED TRANSFORMER
NTS



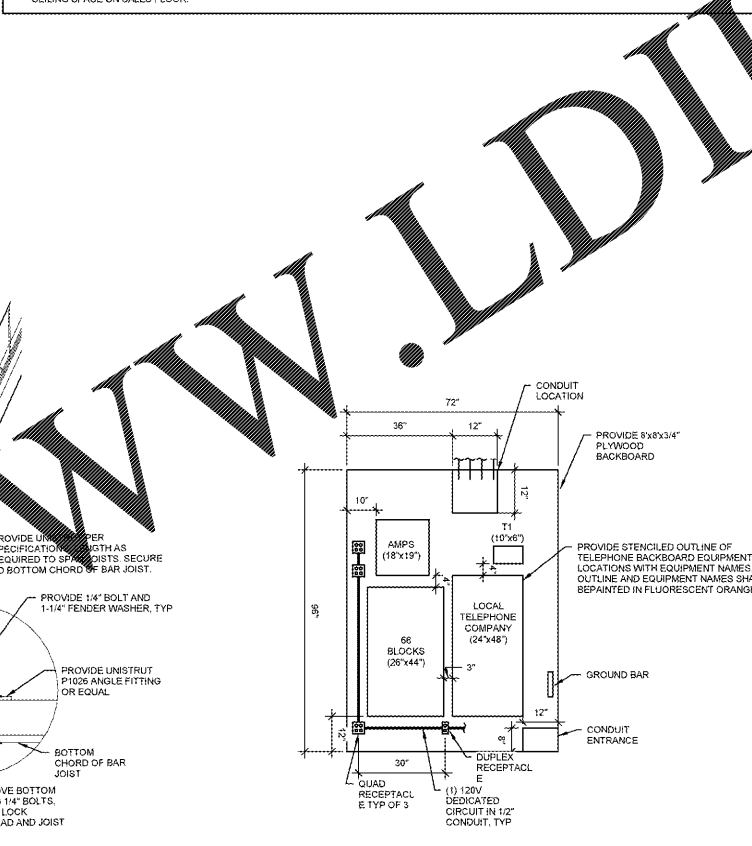
7 POWER POLE CONNECTION
NTS



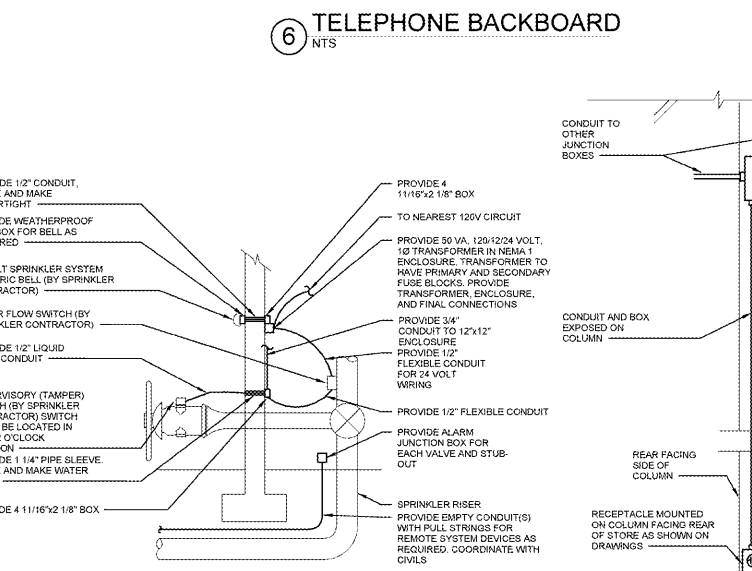
3 UPS SYSTEM CONNECTION
NTS



6 TELEPHONE BACKBOARD
NTS



1 COLUMN DEVICE MOUNTING
NTS



2 SPRINKLER SYSTEM TAMPER AND FLOW SWITCH CONNECTION
NTS

VOICE/DATA ROUGH-IN SCHEDULE

DROP	ROUGH-IN NOTES:
▽ _a ▽ _a	FLUSH MOUNT JUNCTION BOX AT +20\"/>

GENERAL NOTES

- PROVIDE SEALS AT RACEWAY PENETRATIONS AS FOLLOWS:
 - FIRE RATED WALLS. SEAL PER SPECIFICATIONS FOR FIRE STOPPING.
 - FREESTOP COOLER BOXES. SEAL WITH EXPANDING FOAM SEALANT.
 - EXTERIOR. REFER TO ARCHITECTURAL DOCUMENTS FOR SEALING REQUIREMENTS AT ALL EXTERIOR MOUNTED DEVICES, FIXTURES, ENCLOSURES, AND RACEWAY PENETRATIONS.
- PROVIDE A SEPARATE EQUIPMENT GROUNDING CONDUCTOR (SIZE PER NEC) IN PVC TYPE CONDUIT POWER CIRCUITS. ISOLATED GROUND CIRCUITS OR AS SHOWN ON PLANS. CONDUIT SHALL BE SIZED PER NEC BASED ON THW 600 VOLT COPPER SINGLE CONDUCTORS. PLUS THE EQUIPMENT GROUNDING CONDUCTOR.
- WIRING DEVICES: DEVICE MOUNTING HEIGHTS ARE FROM FINISHED FLOOR TO CENTER OF OUTLET BOX UNLESS NOTED OTHERWISE. COORDINATE THE STANDARD MOUNTING HEIGHTS WITH MASONRY:
 - SWITCHES: 44"
 - RECEPTACLES: 20"
 - VOICE/DATA (REFER TO SCHEDULE)
- WIRING SHALL INCLUDE FINAL CONNECTION TO EQUIPMENT. COORDINATE WITH EQUIPMENT SUPPLIER WIRING DIAGRAMS.
- CONTRACTOR IS RESPONSIBLE FOR PROVIDING COMPLETE PANELBOARD IDENTIFICATION SCHEMES.
- BRANCH CIRCUIT CONDUCTORS SHALL BE MIN. #12 AWG UNLESS NOTED OTHERWISE. SCHEDULES WHICH BRANCH CIRCUITS HAVE #8 AND LARGER WIRE SIZE, #10 AWG UNLESS NOTED OTHERWISE. CONNECT TO THE MAIN BUS.
- WHERE BRANCH CIRCUITS ARE REQUIRED, SIZE CONDUIT AND USE CURVED CONDUCTORS PER SPECIFICATIONS.
- PROVIDE HANDLE TO ALL MULTIWIRE BRANCH CIRCUITS TO MEET REQUIREMENTS.
- CONDUITS EXTENDING BEYOND EXTERIOR WALL: STUB OUT BELOW GRADE TO 5'-0" BEYOND EXTERIOR WALLS UNLESS NOTED OTHERWISE. COORDINATE LOCATION AND PROVIDE CONNECTION TO STRUCTURE.
- DATA AND PHONE CONDUIT INSTALLATION MILESTONE DATE: ALL RACEWAY AND CONDUIT SLEEVES FOR DATA AND PHONE CABLING TO BE INSTALLED 3 WEEKS PRIOR TO CONTRACT SUBSTANTIAL COMPLETION DATE.
- SUPPORTS FROM STRUCTURE: NO ATTACHMENT OF ANY TYPE SHALL BE MADE TO BRIDGING OR JOIST WEB MEMBERS. UTILIZE ONLY THE TOP AND BOTTOM CHORDS FOR SUPPORTING THE ELECTRICAL SYSTEM INSTALLATIONS. REFER GENERAL ELECTRICAL CONNECTIONS TO STRUCTURE DETAIL.
- DEVICES SHOWN ON COOLER/FREESTOP PANELS SHALL BE SURFACE MOUNTED UNLESS NOTED OTHERWISE. REFER TO ARCHITECTURAL DOCUMENTS FOR CONDUIT INSTALLATION AND SEALING REQUIREMENTS.
- ONLY FEEDER CIRCUITS SPECIFICALLY NOTED AS UNDERGROUND ON THE ONE LINE DIAGRAM AND BRANCH CIRCUITS NOTED BY LEGEND SHALL BE INSTALLED UNDER SLAB. ALL OTHER FEEDER AND BRANCH CIRCUITS SHALL BE INSTALLED OVERHEAD.
- DO NOT INSTALL EQUIPMENT OR CONDUITS DIRECTLY UNDER SKYLIGHT WELLS UNLESS INDICATED OTHERWISE ON PLANS.
- WHERE GROUPED CONDUITS ARE INSTALLED WITHIN THE JOIST SPACE, COORDINATE WITH SPRINKLER CONTRACTOR PRIOR TO INSTALLATION IN ORDER TO MAINTAIN REQUIRED CLEARANCES FROM SPRINKLERS.

ELECTRICAL SYMBOLS LEGEND

SYMBOL	DESCRIPTION
IO/O	FLUORESCENT LED OR HID FIXTURE (WALL MOUNTED/CEILING MOUNTED)
□	FLUORESCENT LED FIXTURE
□	FLUORESCENT LED FIXTURE, NIGHT LIGHT
□	VOLUMETRIC LED FIXTURE
□	ENCLOSED FREEZER LIGHT
□	TRACK LIGHTING
□	EXIT FIXTURE (WALL MOUNTED/CEILING MOUNTED)
□	EMERGENCY LIGHTING
□	SINGLE POLE SW
□	WAY SWITCH
□	KEYED SWITCH
□	3-POLE SWITCH
□	VARIABLE SPEED SWITCH
□	MANUAL MOTOR SWITCH
□	SINGLE POLE OCCUPANCY SENSOR SWITCH
□	DOUBLE POLE OCCUPANCY SENSOR SWITCH
□	CEILING MOUNTED OCCUPANCY SENSOR SWITCH
□	RECEPTACLE, DUPLEX
□	RECEPTACLE, DUPLEX, MOUNTED HORIZONTALLY
□	RECEPTACLE, GFI
□	RECEPTACLE, DUPLEX FLUSH FLOOR
□	RECEPTACLE, DUPLEX ISOLATED GROUND FLUSH FLOOR
□	RECEPTACLE, DOUBLE DUPLEX
□	RECEPTACLE, DUPLEX ISOLATED GROUND
□	RECEPTACLE, DOUBLE DUPLEX, ISOLATED GROUND
□	RECEPTACLE, SIMPLEX TWIST LOCK, L5-15R UNO
□	RECEPTACLE, SIMPLEX TWIST LOCK, ISOLATED GROUND, L5-15R UNO
□	RECEPTACLE, DUPLEX TWIST LOCK, L5-15R UNO
□	RECEPTACLE, DUPLEX TWIST LOCK, ISOLATED GROUND, L5-15R UNO
□	RECEPTACLE, SPECIAL
□	RECEPTACLE, SIMPLEX
□	RECEPTACLE, PLUG-MOLD
□	JUNCTION BOX (WALL MOUNTED/CEILING MOUNTED)
□	THERMOSTAT (WALL MOUNTED/CEILING MOUNTED)
□	ALARM JUNCTION BOX (WALL MOUNTED/CEILING MOUNTED)
□	ALARM JUNCTION BOX (WALL MOUNTED/CEILING MOUNTED)
□	EQUIPMENT CONNECTION POINT (PROVIDED WITH EQUIPMENT)
□	NON-FUSED DISCONNECT
□	FUSED DISCONNECT
□	CIRCUIT, CONCEALED IN WALLS OR CEILING, E INDICATES EXISTING WIRING
□	CIRCUIT, CONCEALED IN SLAB FLOOR, E INDICATES EXISTING WIRING
□	CIRCUIT, EXPOSED, E INDICATES EXISTING WIRING
□	CONDUIT SLEEVE
□	FLUSH MOUNTED PANELBOARD
□	SURFACE MOUNTED PANELBOARD
□	MANUFACTURED WIRING SYSTEM
□	TELEPHONE / DATA BOX FOR ISD
□	LOW VOLTAGE CABLE BOX FOR OTHER
□	TELEPHONE, FLUSH FLOOR
□	MOTOR
□	TELEPOWER POLE
□	PUSH BUTTON
□	Buzzer
□	SAL SWITCH JUNCTION BOX
□	SMOKE DETECTOR
□	HORN / STROBE
□	DOOR HOLD OPEN

STIPULATION FOR THE CONTRACTOR TO VERIFY THE EXISTING CONDITIONS AND TO BE RESPONSIBLE FOR THE ACCURACY OF THE INFORMATION PROVIDED. THE CONTRACTOR SHALL BE RESPONSIBLE FOR OBTAINING ALL NECESSARY PERMITS AND FOR THE PROTECTION OF ALL EXISTING UTILITIES AND STRUCTURES. THE CONTRACTOR SHALL BE RESPONSIBLE FOR THE PROTECTION OF ALL EXISTING UTILITIES AND STRUCTURES. THE CONTRACTOR SHALL BE RESPONSIBLE FOR THE PROTECTION OF ALL EXISTING UTILITIES AND STRUCTURES.

MPW CONSULTANTS
MPW ENGINEERING, LLC
1100 N. W. 10TH AVENUE, SUITE 100
MIAMI, FL 33136
407-541-1100
412

Walmart
APOKA, FL
STORE NO. 6884
097-19-0061 PHOTO
JOB NUMBER

CHECKED BY: ABM
DRAWN BY: DJA
FILE NAME: E3
PROTO CYCLE: 10/28/16
DOCUMENT DATE: 01/09/17

BID SET
NOT FOR
CONSTRUCTION

THIS ITEM HAS BEEN ELECTRONICALLY SIGNED AND SEALED BY DATE AND/OR TIME STAMP SHOWN USING A DIGITAL SIGNATURE. PRINTED COPIES OF THIS DOCUMENT ARE NOT CONSIDERED SIGNED AND SEALED AND THE SIGNATURES MUST BE VERIFIED ON ANY ELECTRONIC COPIES.

ELECTRICAL DETAILS, SYMBOLS, AND SCHEDULES

SHEET: E3