

REFRIGERANT LEAK CONTROL SEQUENCE OF OPERATIONS	
THE LEAK DETECTION CONTROL MODULES, UPON REGISTERING A CONCENTRATION THAT IS ONE-HALF OF THE IDLH OR AT THE DEL, WHICHEVER IS LESS, SHALL:	
1.	ACTIVATE VISUAL AND AUDIBLE ALARMS FOR THE ZONE INDICATING THE LEAK
2.	ENABLE AN AUTOMATIC SHUTDOWN OF THE LLSV AND EEPDR TO ISOLATE THE REFRIGERANT FLOW IN THE CIRCUIT IN ALARM
3.	SEND AN ALARM SIGNAL TO THE FIRE ALARM PANEL
AUDIBLE: VISUAL DEVICES INSIDE COOLERS AND FREEZERS SHALL BE INSTALLED IN WEATHERPROOF JUNCTION BOXES. REFERENCE LEAK DETECTION INSTALLATION DETAIL.	
AUDIBLE: VISUAL DEVICES SHALL ANNUNCIATE AT A SOUND PRESSURE LEVEL THAT IS A MINIMUM OF 15 DBA ABOVE THE AMBIENT NOISE LEVEL.	
LEGEND	
DEL: OCCUPATIONAL EXPOSURE LIMIT	IDLH: IMMEDIATELY DANGEROUS TO LIFE OR HEALTH
LLSV: LIQUID LINE SOLENOID VALVE	EEPDR: ELECTRONIC EVAPORATOR PRESSURE REGULATOR

LEAK DETECTION SYMBOLS	
	AUDIOVISUAL ALARM
	HORN AND STROBE INDICATOR
	LEAK DETECTION PANEL
	LEAK DETECTION SENSOR
	MRLDS LEAK DETECTOR SENSOR
	ZONE ALARM SILENCE PANEL

STIPULATION FOR THE USE OF THIS DOCUMENT IS THAT IT IS TO BE USED ONLY FOR THE PROJECT AND SITE SPECIFICALLY IDENTIFIED HEREIN. ANY OTHER USE OF THIS DOCUMENT WITHOUT THE WRITTEN PERMISSION OF MPW CONSULTANTS IS PROHIBITED. THE USER ASSUMES ALL LIABILITY FOR ANY DAMAGE OR INJURY RESULTING FROM THE USE OF THIS DOCUMENT.

MPW CONSULTANTS
MPW ENGINEERING, LLC
1501 N. WINDYBROOK DRIVE
APT. 1000
APOPKA, FL 32111
TEL: 407-281-1111
WWW.MPWCONSULTANTS.COM

Walmart
APOKA, FL
STORE NO. 6884
JOB NUMBER: 09719-0061-PROTO 412

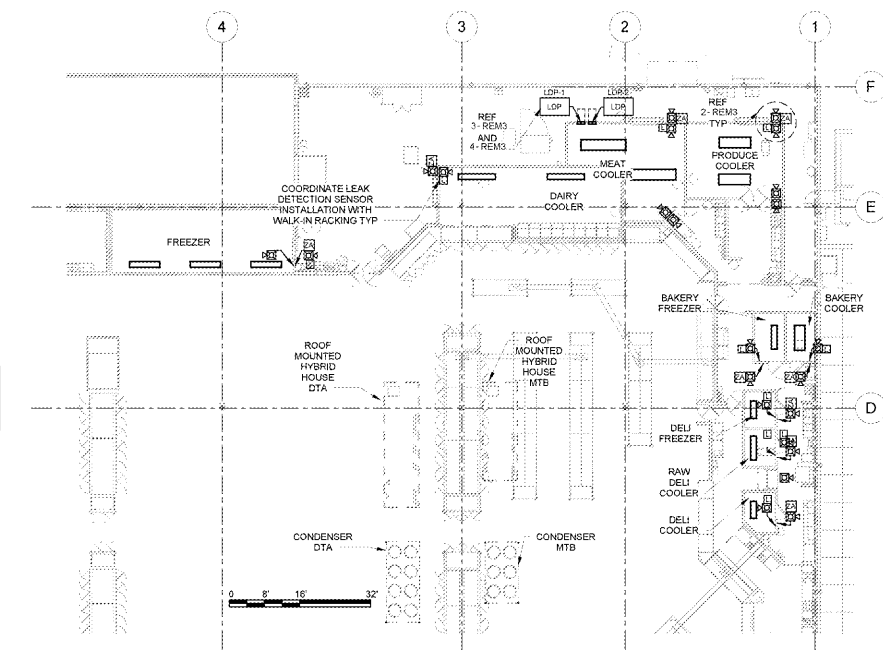
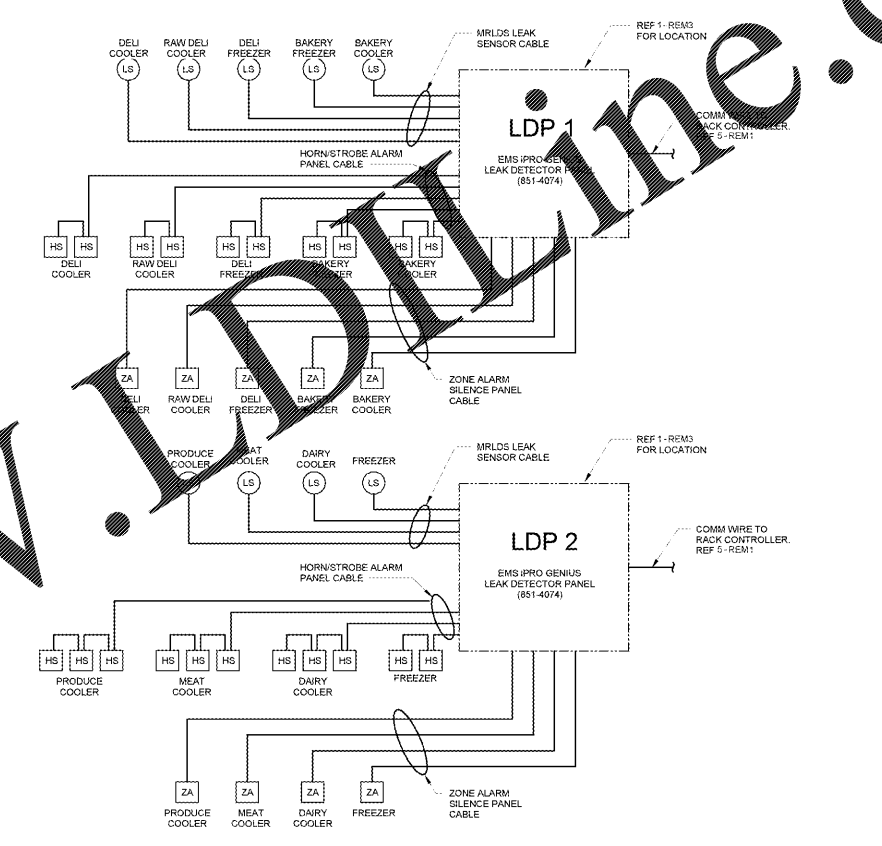
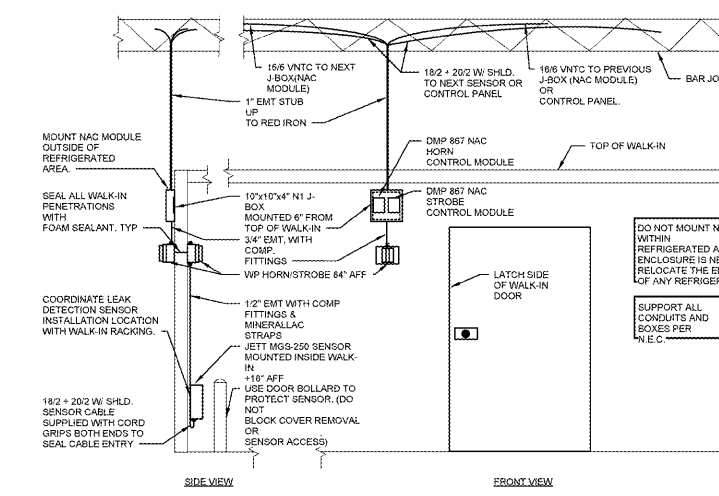
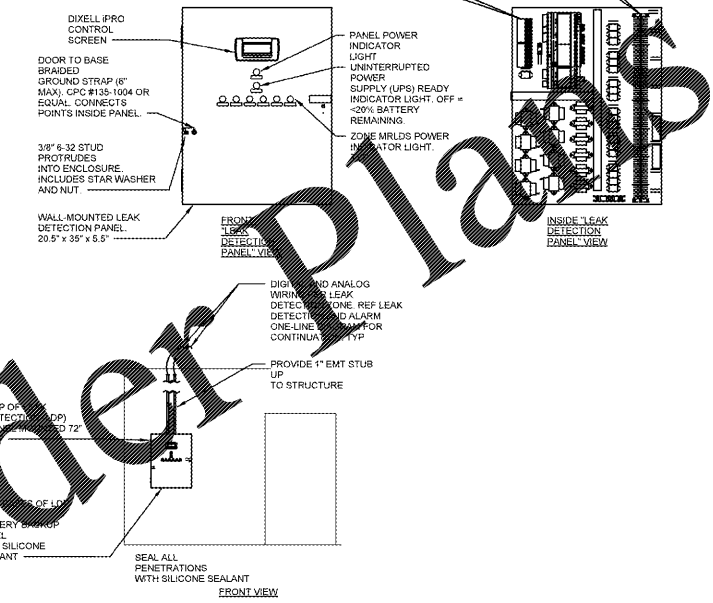
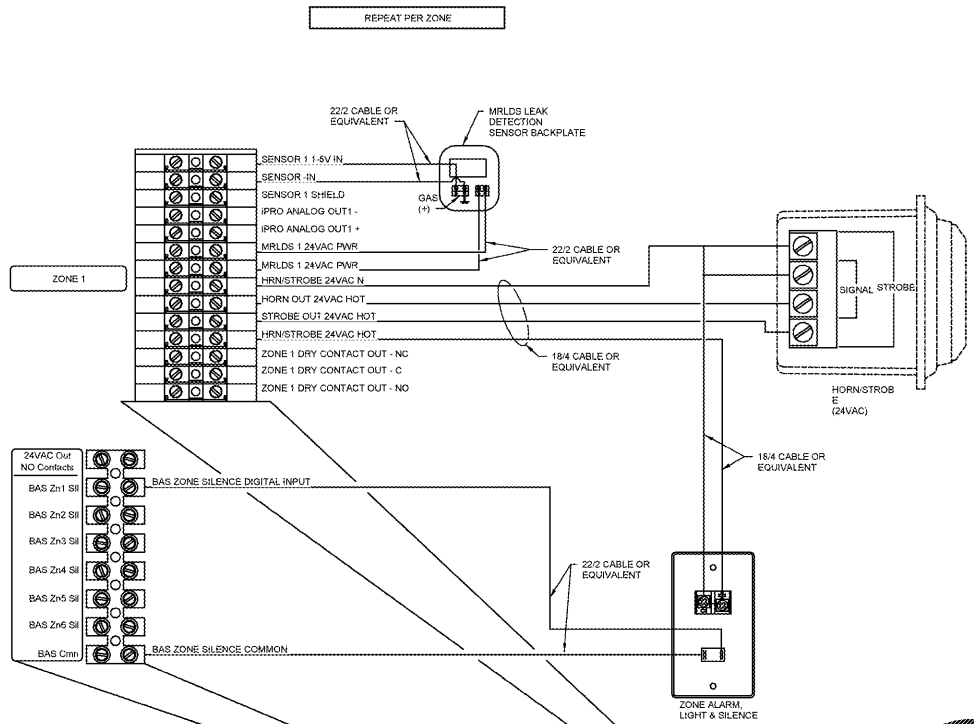
ISSUE BLOCK	
NO.	DESCRIPTION

CHECKED BY:	MMM
DRAWN BY:	PMD
FILE NAME:	REM3
PROTO CYCLE:	10/28/16
DOCUMENT DATE:	01/09/17

THIS ITEM HAS BEEN ELECTRONICALLY SIGNED AND SEALED BY SCOTT C. WEBB. DATE AND/OR TIME STAMP SHOWN USING A DIGITAL SIGNATURE. PRINTED COPIES OF THIS DOCUMENT ARE NOT CONSIDERED SIGNED AND SEALED AND THE SIGNATURE MUST BE VERIFIED ON ANY ELECTRONIC COPIES.

REFRIG LEAK DETECTION PLAN AND DETAILS

SHEET: REM3



3 LEAK DETECTION PANEL INSTALLATION AND WIRING
NTS

2 ZONE ALARM/HORN/STROBE MOUNTING
NTS

1 REFRIGERANT LEAK DETECTION PLAN
1/16" = 1'-0"

Order Plans

@

WWW.IDLINE.COM