

----- INSTALLED BY EDC MANUFACTURER
 _____ FIELD INSTALLED

ENSURE CONNECTION OF BUILDING AND REFRIGERATION CONTROLLERS VIA ETHERNET TO OWNER LAN.

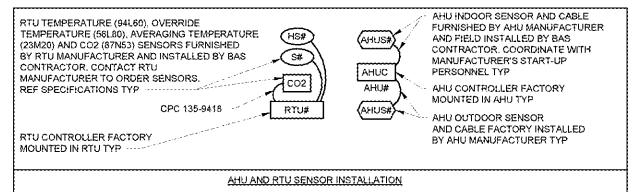
WIRE LEGEND
 1. CPC 135-2832 (22-2 TWISTED PAIR)
 2. CPC 135-9418 (18-4)

NOTES
 1. ALL CABLE CPC 135-2832 UNLESS NOTED OTHERWISE.
 2. ALL BAS CABLES FURNISHED BY BAS SUPPLIER.

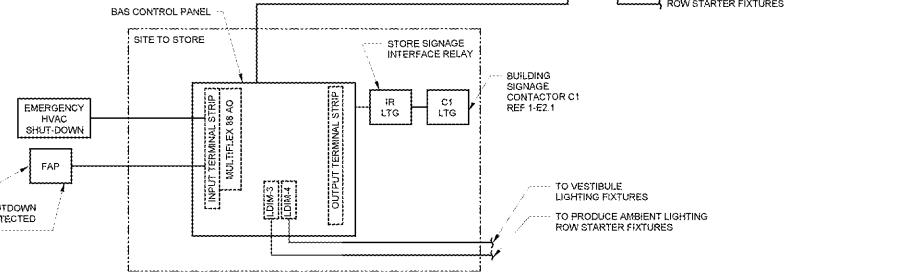
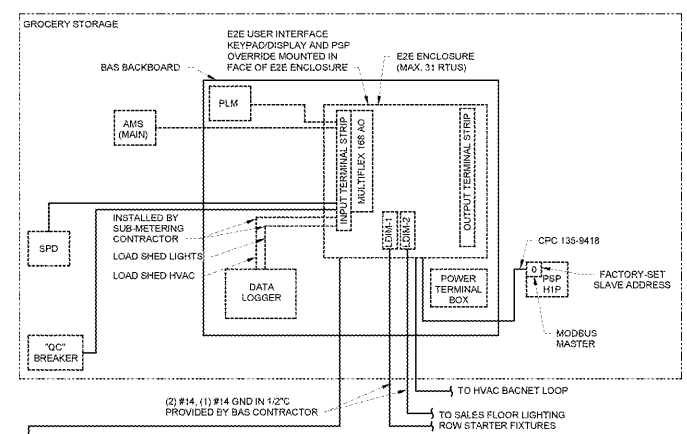
MULTIFLEX168AD #1 - GROCERY STORAGE			
INPUTS		OUTPUTS	
U1	SALES LIGHTS DIM FEEDBACK	U1	OPEN
U2	SALES LIGHTS DIM FEEDBACK	U2	OPEN
U3	INTERIOR LIGHTS OVR	U3	OPEN
U4	EXTERIOR LIGHTS OVR	U4	OPEN
U5	PHASE LOSS MONITOR	U5	OPEN
U6	QC BREAKER	U6	OPEN
U7	SPD ALARM (H1P)	U7	OPEN
U8	LOAD SHED HVAC	U8	OPEN
U9	LOAD SHED LIGHTS	A1	LDM-1
U10	AMS (MAIN) ALARM STATUS	A2	LDM-2
U11	OPEN	A3	OPEN
U12	OPEN	A4	OPEN
U13	OPEN		
U14	OPEN		
U15	OPEN		
U16	OPEN		

MULTIFLEX168AD #1 - SITE TO STORE			
INPUTS		OUTPUTS	
U1	EMERGENCY HVAC SHUTDOWN	U1	BUILDING SIGNAGE (C1 - SITE TO STORE) (R)
U2	PUSH BUTTON (VRRH)	U2	VRRH - CART STORAGE HEAT
U3	SITE EMERGENCY S/D	U3	OPEN
U4	PRODUCE AMBIENT LTS DIM FEEDBACK	U4	OPEN
U5	VESTIBULE LITS DIM FEEDBACK	U5	OPEN
U6	OPEN	U6	OPEN
U7	OPEN	U7	OPEN
U8	OPEN	U8	OPEN
		A1	LDM-3
		A2	LDM-4
		A3	OPEN
		A4	OPEN

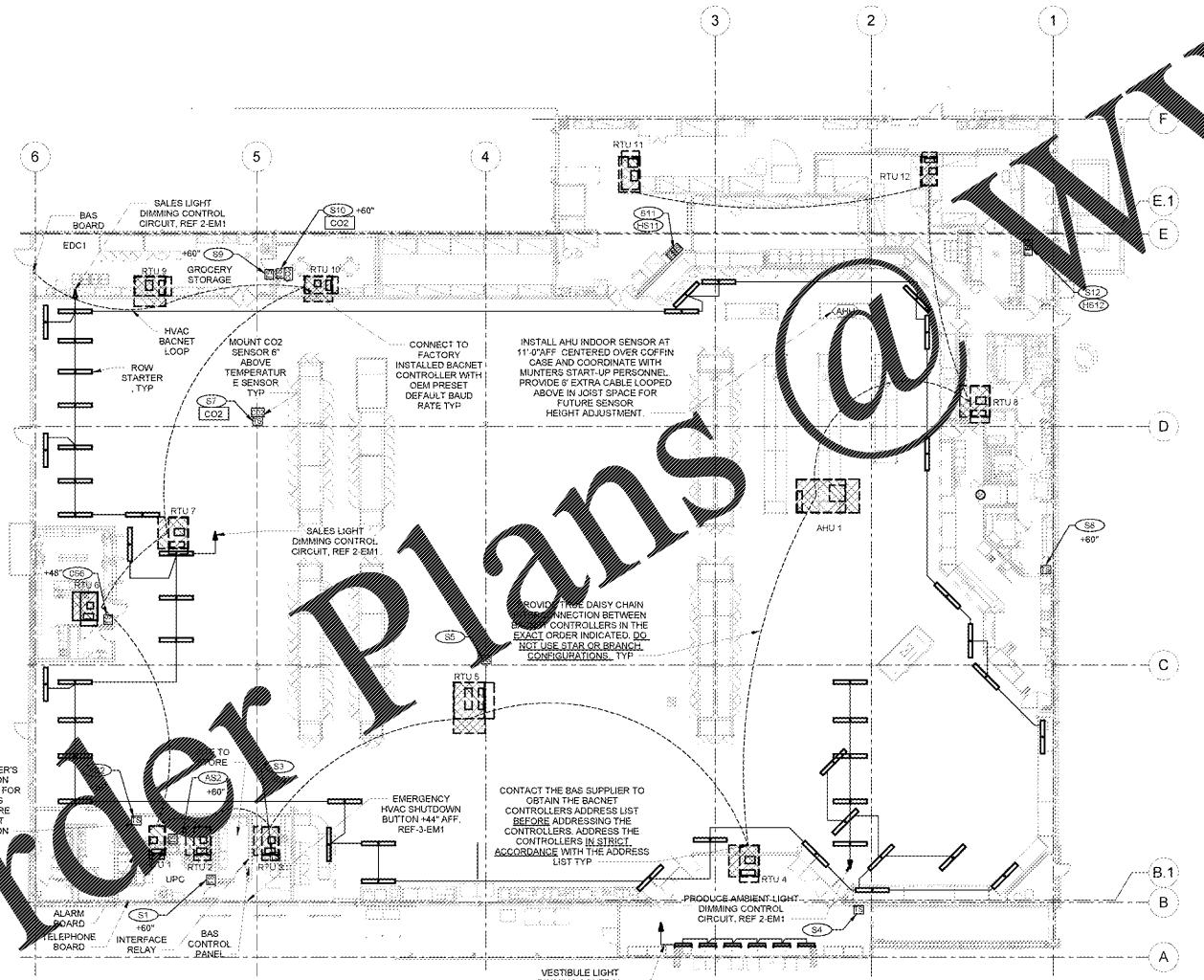
INPUT/OUTPUT LEGEND
 U# = UNIVERSAL
 A# = ANALOG
 D# = DIGITAL



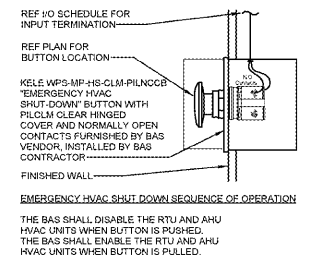
- GENERAL BAS NOTES
- TEMPERATURE AND CO2 SENSOR MOUNTING: PROVIDE 1/2" CONDUIT AND INSTALL BAS CABLE FROM SENSOR TO CONTROL MODULE MOUNT SENSOR ON BOX. ALL SENSORS TO BE MOUNTED 18" UNLESS NOTED OTHERWISE. SENSORS ON SALES FLOOR SHALL BE MOUNTED ON THE BACK SIDE OF THE COLUMN. DO NOT INSTALL SENSORS IN HVAC SUPPLY AIR PATH OR IN DIRECT SUNLIGHT. REF MECHANICAL DRAWINGS FOR EXACT LOCATIONS.
 - TEMPERATURE AND CO2 SENSOR MOUNTING: PROVIDE A 4" SQUARE RECESSED BOX WITH A SINGLE GANG PLASTER RIFLUSH MOUNTED VERTICALLY.
 - BLOCK WALLS AND COLUMNS: PROVIDE A 2"x4" BOX SURFACE MOUNTED VERTICALLY.
 - INSULATE BEHIND SENSORS MOUNTED TO EXTERIOR WALL WITH 1/2" FOAM INSULATION.
 - BAS CONTRACTOR SHALL INSTALL MASTER CONTROLLERS.
 - UNLESS NOTED OTHERWISE BAS CONTRACTOR SHALL FURNISH PART OF THE EDC.
 - TERMINATIONS SHALL BE MADE IN ACCORDANCE WITH BAS SUPPLIER INSTRUCTIONS. NO FOIL OR UNUSED WIRES TO BE EXPOSED AFTER APPLICATION OF
 - CABLE BAS CONTRACTOR SHALL PROVIDE CABLE RECORD TO DRAWINGS. NO DEVIATION FROM DRAWINGS WILL BE ACCEPTED. CABLES SHALL HAVE UNCH END LABELS INDICATING WHERE THE POSITIVE END TERMINATED. CABLE SHALL BE INSTALLED IN CONDUIT OR CABLE TRAY IN FINISHED AREAS OF BUILDING.
 - MINOR CHANGES IN MATERIALS OR TERMINATION POINTS SHALL NOT INCREASE CONTRACT COST.
 - ROUTE BAS CONDUITS IN SALES AREA CONCEALED (IN WALLS, PIPE RACKS AND/OR CHASES). PROVIDE A TRANSITION FROM THE PVC UNDERSLAB BAS CONDUIT TO EMT OR FLEX. BAS CABLES SHALL BE RUN IN CONDUIT FULL LENGTH BENEATH REFRIGERATED CASES. BAS CABLES AT BAR JOIST LEVEL IN THE STOCKROOM CAN BE EXPOSED.
 - BAS CONTRACTOR SHALL PROVIDE ASSISTANCE TO THE BAS SUPPLIER ON PERFORMING ASSIGNMENT TESTS ON POWER SWITCHING PANELS AS NECESSARY.
 - BAS CONTRACTOR SHALL CALIBRATE ALL CO2 SENSORS PER THE SENSOR MANUFACTURER'S INSTRUCTIONS IMMEDIATELY PRIOR TO LEAVING THE JOB.
 - WHERE GROUPED CONDUITS ARE INSTALLED WITHIN THE JOIST SPACE, COORDINATE WITH SPRINKLER CONTRACTOR PRIOR TO INSTALLATION IN ORDER TO MAINTAIN REQUIRED CLEARANCES FROM SPRINKLERS.



2 BAS ONE-LINE DIAGRAM NTS



1 BUILDING AUTOMATION SYSTEM PLAN
 1/16" = 1'-0"
 SCALE: 1/16" = 1'-0"



3 EMERGENCY HVAC SHUT-DOWN WIRING NTS

BAS SYMBOLS

RTU#	RTU TEMPERATURE SENSOR
AHU#	AHU CONTROLLER (BACNET)
RTU#	RTU CONTROLLER (BACNET)
OS#	RTU OVERRIDE TEMPERATURE SENSOR
AS#	RTU AVERAGING TEMPERATURE SENSOR
FAP	FIRE ALARM PANEL
CO2	CARBON DIOXIDE SENSOR
IR	INTERFACE RELAY
PLM	PHASE LOSS MONITOR
PS	POWER SWITCHING PANEL
EZE	MASTER CONTROLLER
AHU#	AHU TEMPRH SENSOR
SPD	SURGE PROTECTIVE DEVICE
UHS	UNIT HEATER TEMPERATURE SENSOR
S	MOMENTARY PUSH BUTTON SWITCH
G3	POWER SWITCHING PANEL CONTROLLER
LDM	LIGHT DIMMING INPUT MODULE
AMS	ALTERNATE MAINTENANCE SWITCH

ISSUE BLOCK

NO.	DATE	DESCRIPTION
1	04/07/17	REV #5

CHECKED BY: MMM
 DRAWN BY: TDT
 FILE NAME: EM1
 PHOTO CYCLE: 10/28/16
 DOCUMENT DATE: 01/09/17

BID SET
 NOT FOR
 CONSTRUCTION

ENERGY
 MANAGEMENT
 PLAN

CPC

SHEET
 EM1

MPW
 MPW ENGINEERING, LLC
 1100 N. UNIVERSITY BLVD., SUITE 200
 APOKA, FL 34706
 407-884-1100
 412
 0971-05-006 / PHOTO
 STORE NO. 6884
 JOB NUMBER

Order Plans @ www.LDILine.com

www.LDILine.com

THIS ITEM HAS BEEN ELECTRONICALLY SIGNED AND SEALED BY SCOTT C WEBB. DATE AND/OR TIME STAMP SHOWN USING A DIGITAL SIGNATURE. PRINTED COPIES OF THIS DOCUMENT ARE NOT CONSIDERED SIGNED AND SEALED AND THE SIGNATURE MUST BE VERIFIED ON ANY ELECTRONIC COPIES.