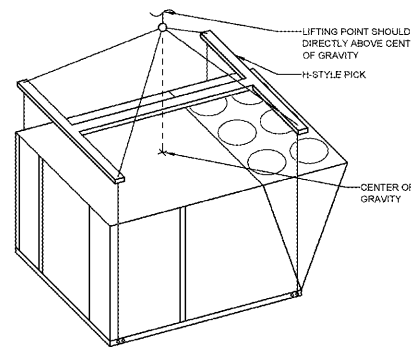
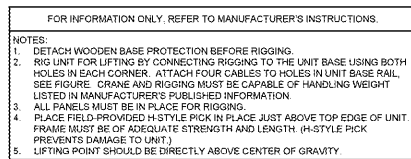


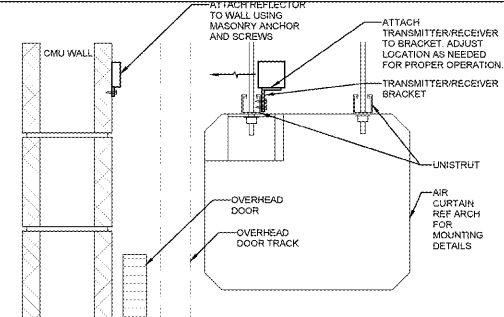
6 DESTRATIFICATION FAN MOUNTING NTS



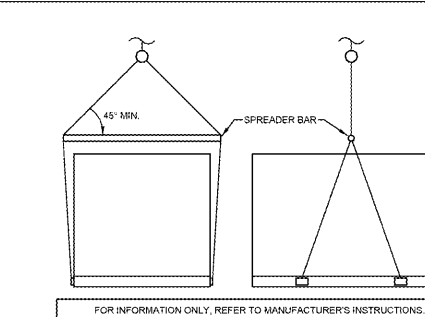
2 HIGH EFFICIENCY BRANCH DUCT FITTING NTS



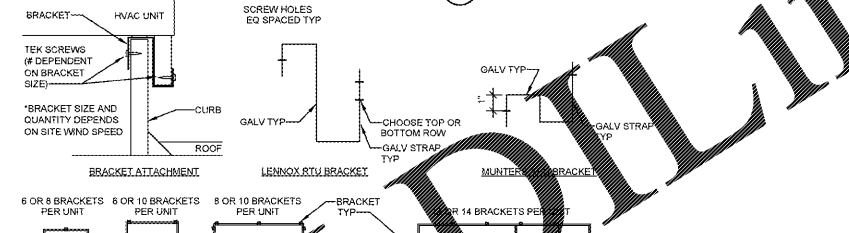
3 LENNOX RTU RIGGING NTS



5 AIR CURTAIN DOOR SWITCH NTS



4 MUNTERS AHU RIGGING NTS



5 HVAC SEISMIC WIND RESTRAINT BRACKET NTS

	RECTANGULAR DUCT 18\" WIDE BY 12\" DEEP
	12\" DIAMETER ROUND DUCT
	SUPPLY DUCT IN SECTION
	RETURN OR EXHAUST DUCT IN SECTION
	ELBOW WITH TURNING VANES
	RECTANGULAR RADIUS ELBOW
	ROUND OR OVAL ELBOW
	VOLUME BALANCE
	SUPPLY AIR DIFFUSER
	RETURN AIR DIFFUSER
	DIFFUSER WITH RETURN DUCT
	BRANCH DUCT AND/OR NECK
	DIFFUSER OR GRILLE TYPE
	TEMP SENSOR
	MECHANICAL EQUIPMENT

MARK	MANUFACTURER	MODEL	CFM	ESP (IN.)	OPERATION	OUTSIDE AIR CFM	ELEC HEAT INPUT (KW)
AHU 1	MUNTERS	HCU6500A0D	5000	0.75	CONTINUOUS	4000	156

GENERAL INFORMATION (ALL UNITS):
1. ALL UNITS ARE 480V, 3 PHASE, 60 HERTZ. UNITS MUST BE UL OR ETL APPROVED.
2. UNIT OPERATING WEIGHT (LBS): 3200.
3. OUTSIDE AIR IS CONDITIONED THROUGH THE AIR HANDLING UNITS FOR THE SALES FLOOR AREA.
4. MOISTURE REMOVAL EFFICIENCY (MRE) PER ARI 320; MRE = 6.7 (LBS/KWH), CALCULATED AT STANDARD RATING POINT A.
5. SUPPLY AIR SMOKE DETECTORS ARE FACTORY INSTALLED.
6. UNITS ARE PROVIDED WITH FACTORY INSTALLED CONVENIENCE RECEPTACLE.
7. TEMPERATURE/POINT SENSOR IS FURNISHED WITH UNIT FOR INSTALLATION BY MECHANICAL CONTRACTOR.
8. UNITS ARE PROVIDED WITH FACTORY INSTALLED BACKNET AHU CONTROLLER AND OUTDOOR UNIT ENERGY EFFICIENCY RATINGS (EER) PER ARI 210 & 240 ARE AS FOLLOWS: 10 TON = 12.8, 3 TON = 14.5, 4 TON = 13.7, 3 TON = 24.5.
9. UNITS ARE PROVIDED WITH BACNET RTU CONTROLLER, TEMPERATURE SENSOR AND HUMIDISTAT ARE FURNISHED SEPARATELY BY LENOX AND INSTALLED BY THE BAS CONTRACTOR. REFER TO SPECIFICATIONS AND HVAC SEISMIC WIND RESTRAINT BRACKET DETAIL.
10. UNITS ARE PROVIDED WITH HIGH PERFORMANCE, FULLY MODULATING ECONOMIZER.
11. SMOKE DETECTORS ARE NOT REQUIRED IN UNITS SUPPLYING OVER 2000 CFM THAT ARE NOT CAPABLE OF SPREADING SMOKE BEYOND THE ENCLOSING WALLS, FLOORS AND CEILING(S) FOR THE ROOM OR SPACE IN WHICH THE SMOKE IS GENERATED PER IMC SECTION 606.2.
12. UNITS ARE PROVIDED WITH FACTORY INSTALLED CONVENIENCE RECEPTACLE.
13. UNITS ARE PROVIDED WITH HUMIDISTAT, REHEAT COIL.
NOTES:
A. UNIT EQUIPPED WITH MULTI-STAGE AIR VOLUME (MSAV) CAPABILITIES
B. ULTRA-HIGH EFFICIENCY UNIT

MARK	AREA SERVED	OPTION #1	OPTION #2	OPTION #3	WEIGHT (LBS)	QTY	HP	VOLTS	PH	DRIVE	CONTROL METHOD	NOTES	
EP 1	RESTROOMS	CARNES (NWK10M)	GREENHECK (G-096-A)	ACME (PRN118)	500	0.27	1	120	1	0.333	DIRECT	CONTINUOUS	A, B, C, D, E
EP 2	BAKERY OVEN	CARNES (VJOK15M)	GREENHECK (CUC-099-A)	ACME (PDU120R3)	500	0.27	1	120	1	0.333	DIRECT	INTERLOCK	A, B, C, D

MARK	AREA SERVED	MANUFACTURER	MODEL	WEIGHT (LBS)	QTY	HP	VOLTS	PH	FLA	MCA	MCCP	NOTES
MAL	SSD DOOR	BERNER	POWERED ARE (BCE 2-7)	190	2	0.50	120	1	14.6	18.3	20	A, B, C, D
AC 2	ART VESTIBULE	BERNER	POWERED ARE (RMP-2-84)	195	2	0.20	120	1	8.8	11.0	15	A, B, C, E

NOTES:
1. UNIT SHALL BE FURNISHED WITH FACTORY MOUNTED NON-FUSED TOGGLE DISCONNECT SWITCH LOCATED ON TOP OF AIR CURTAIN ENCLOSURE PANELS UP TO CEILING AND FACTORY-INSTALLED RELATED STAFFOFFS AS REQUIRED.
2. UNIT SHALL BE PROVIDED WITH FACTORY MOUNTED NON-FUSED TOGGLE DISCONNECT SWITCH LOCATED ON TOP OF AIR CURTAIN ENCLOSURE PANELS UP TO CEILING AND FACTORY-INSTALLED RELATED STAFFOFFS AS REQUIRED.
3. UNITS ARE PROVIDED WITH SINGLE POINT POWER ENTRY CONNECTIONS.
4. UNITS ARE PROVIDED WITH FACTORY MOUNTED NON-FUSED TOGGLE DISCONNECT SWITCH LOCATED ON TOP OF AIR CURTAIN ENCLOSURE PANELS UP TO CEILING AND FACTORY-INSTALLED RELATED STAFFOFFS AS REQUIRED.
5. UNITS ARE PROVIDED WITH FACTORY MOUNTED NON-FUSED TOGGLE DISCONNECT SWITCH LOCATED ON TOP OF AIR CURTAIN ENCLOSURE PANELS UP TO CEILING AND FACTORY-INSTALLED RELATED STAFFOFFS AS REQUIRED.
6. UNITS ARE PROVIDED WITH FACTORY MOUNTED NON-FUSED TOGGLE DISCONNECT SWITCH LOCATED ON TOP OF AIR CURTAIN ENCLOSURE PANELS UP TO CEILING AND FACTORY-INSTALLED RELATED STAFFOFFS AS REQUIRED.
7. UNITS ARE PROVIDED WITH FACTORY MOUNTED NON-FUSED TOGGLE DISCONNECT SWITCH LOCATED ON TOP OF AIR CURTAIN ENCLOSURE PANELS UP TO CEILING AND FACTORY-INSTALLED RELATED STAFFOFFS AS REQUIRED.
8. UNITS ARE PROVIDED WITH FACTORY MOUNTED NON-FUSED TOGGLE DISCONNECT SWITCH LOCATED ON TOP OF AIR CURTAIN ENCLOSURE PANELS UP TO CEILING AND FACTORY-INSTALLED RELATED STAFFOFFS AS REQUIRED.
9. UNITS ARE PROVIDED WITH FACTORY MOUNTED NON-FUSED TOGGLE DISCONNECT SWITCH LOCATED ON TOP OF AIR CURTAIN ENCLOSURE PANELS UP TO CEILING AND FACTORY-INSTALLED RELATED STAFFOFFS AS REQUIRED.
10. UNITS ARE PROVIDED WITH FACTORY MOUNTED NON-FUSED TOGGLE DISCONNECT SWITCH LOCATED ON TOP OF AIR CURTAIN ENCLOSURE PANELS UP TO CEILING AND FACTORY-INSTALLED RELATED STAFFOFFS AS REQUIRED.
11. UNITS ARE PROVIDED WITH FACTORY MOUNTED NON-FUSED TOGGLE DISCONNECT SWITCH LOCATED ON TOP OF AIR CURTAIN ENCLOSURE PANELS UP TO CEILING AND FACTORY-INSTALLED RELATED STAFFOFFS AS REQUIRED.
12. UNITS ARE PROVIDED WITH FACTORY MOUNTED NON-FUSED TOGGLE DISCONNECT SWITCH LOCATED ON TOP OF AIR CURTAIN ENCLOSURE PANELS UP TO CEILING AND FACTORY-INSTALLED RELATED STAFFOFFS AS REQUIRED.
13. UNITS ARE PROVIDED WITH FACTORY MOUNTED NON-FUSED TOGGLE DISCONNECT SWITCH LOCATED ON TOP OF AIR CURTAIN ENCLOSURE PANELS UP TO CEILING AND FACTORY-INSTALLED RELATED STAFFOFFS AS REQUIRED.
14. UNITS ARE PROVIDED WITH FACTORY MOUNTED NON-FUSED TOGGLE DISCONNECT SWITCH LOCATED ON TOP OF AIR CURTAIN ENCLOSURE PANELS UP TO CEILING AND FACTORY-INSTALLED RELATED STAFFOFFS AS REQUIRED.
15. UNITS ARE PROVIDED WITH FACTORY MOUNTED NON-FUSED TOGGLE DISCONNECT SWITCH LOCATED ON TOP OF AIR CURTAIN ENCLOSURE PANELS UP TO CEILING AND FACTORY-INSTALLED RELATED STAFFOFFS AS REQUIRED.

MARK	AREA SERVED	MODEL	CAPTURE LENGTH	CAPTURE WIDTH	HEIGHT	HOOD WEIGHT	MARK	DUCT SIZE	MARK	MAKE UP AIR CFM	SOURCE	NOTES				
EP 1	ROTATING RACK AND STACKED COMB OVEN (PR)	6924-HD-2	81"	66"	2'4"	429 LB	EP1	10"	EP1	DU58-FA	1000	0.750	0.500	1000	AHUY	A, B, C

GENERAL INFORMATION (ALL UNITS AS APPLICABLE):
1. HOOD FURNISHED WITH INTEGRAL DRIP TRAY, LIGHTS, STAINLESS STEEL U.L. LISTED GREASE FILTERS, PRE-WIRED CONTROL PANEL, ROOM TEMPERATURE SENSOR, STAINLESS STEEL ENCLOSURE PANELS UP TO CEILING AND FACTORY-INSTALLED RELATED STAFFOFFS AS REQUIRED.
2. FIRE SUPPRESSION SYSTEM FOR HOOD SHALL BE ANSUL WET CHEMICAL TYPE FIRE EXTINGUISHING SYSTEM CONTAINED IN A STAINLESS STEEL COMPARTMENT LOCATED AT END OF HOOD UNLESS NOTED OTHERWISE ON PLANS AND SCHEDULE. (WHERE INDICATED, THE FIRE SUPPRESSION COMPARTMENT ADDS 12\"/>

MARK	AREA SERVED	THERMOSTAT	MANUFACTURER	MODEL	ELEC HEAT (KW)
M 1	M 1		CHASK	MNHS-41	5
M 2	M 2		MORSEL	PPSP102	5

GENERAL INFORMATION (ALL UNITS):
1. UNIT IS 480V 3 PHASE, 60 HERTZ WITH 24V CONTROL TRANSFORMER.
2. INSTALL BOTTOM OF HEATER AT ELEVATION INDICATED ON DRAWINGS.
3. PROVIDE FACTORY INSTALLED UNIT MOUNTED THERMOSTAT.
4. PROVIDE WALL MOUNTING BRACKET (WB1540).

MARK	SERVICE	OPTION #1	OPTION #2	OPTION #3	STYLE	FRAME TYPE	FACE SIZE	NOTES
CD1	SUPPLY AIR	TUTTLE & BAILEY 51200	E.H. PRICE SCF	CARNES SFTB	ROUND NECK CEILING DIFFUSER	LAY-IN	24"X24"	B, D, E
CD2	SUPPLY AIR	TUTTLE & BAILEY 51200	E.H. PRICE SMD	CARNES SKFA	ROUND NECK CEILING DIFFUSER	LAY-IN	24"X24"	B, D, E, F, H, J, K
CD4	SUPPLY AIR	TUTTLE & BAILEY 51200	E.H. PRICE SMD	CARNES SKFA	ROUND NECK CEILING DIFFUSER	LAY-IN	24"X24"	C, D, E
CD6	SUPPLY AIR	TUTTLE & BAILEY 51200	E.H. PRICE SMD	CARNES SKFA	SQUARE NECK CEILING DIFFUSER	LAY-IN	24"X24"	B, E, F, K
DB2	SUPPLY AIR	AES A08-6-10			DROP BOX DIFFUSER			A, G
DB3	SUPPLY AIR	AES A08-6-10			DROP BOX DIFFUSER			A, G
DB6	SUPPLY AIR	AES A08-6-10			DROP BOX DIFFUSER			A, G
EA02	EXHAUST AIR	TUTTLE & BAILEY 8017B	E.H. PRICE 8017B	CARNES RAPAH	12"X12"X12" EGGRATE CEILING GRILLE	SURFACE MOUNT	24"X24"	C, D, E, H, J
LR01	RETURN AIR	TUTTLE & BAILEY 8017B	E.H. PRICE 8017B	CARNES RAPAH	LINEAR SLOT DIFFUSER	SURFACE MOUNT	REFER TO DRAWINGS	C, D, E, L
LS01	SUPPLY AIR	TUTTLE & BAILEY 8017B	E.H. PRICE 8017B	CARNES RAPAH	LINEAR SLOT DIFFUSER	SURFACE MOUNT	REFER TO DRAWINGS	C, D, E, L
ND	SUPPLY AIR	TUTTLE & BAILEY 8017B	E.H. PRICE 8017B	CARNES RAPAH	NOZZLE DIFFUSER	DUCT MOUNT	16"	E
RAG	RETURN AIR	TUTTLE & BAILEY 8017B	E.H. PRICE 8017B	CARNES RAPAH	12"X12"X12" EGGRATE CEILING GRILLE	LAY-IN	24"X24"	C, D, E, F
RA01	RETURN AIR	TUTTLE & BAILEY 8017B	E.H. PRICE 8017B	CARNES RAPAH	12"X12"X12" EGGRATE CEILING GRILLE	SURFACE MOUNT	REFER TO DRAWINGS	C, D, E, H, J
RA03	RETURN AIR	TUTTLE & BAILEY 8017B	E.H. PRICE 8017B	CARNES RAPAH	12"X12"X12" EGGRATE CEILING GRILLE	LAY-IN	24"X24"	C, D, E, F, I
RAW	RETURN AIR	TUTTLE & BAILEY 8017B	E.H. PRICE 8017B	CARNES RAPAH	FIXED BLADE WALL GRILLE	SURFACE MOUNT	REFER TO DRAWINGS	B, D, E, H
SAG	SUPPLY AIR	TUTTLE & BAILEY 8017B	E.H. PRICE 8017B	CARNES RAPAH	FIXED BLADE WALL GRILLE	LAY-IN	24"X24"	B, D, E, F
SAW	SUPPLY AIR	TUTTLE & BAILEY 8017B	E.H. PRICE 8017B	CARNES RAPAH	LOUVERED FACE REGISTER	SURFACE MOUNT	REFER TO DRAWINGS	B, E, F, H
TG	TRANSFER AIR	TUTTLE & BAILEY 8017B	E.H. PRICE 8017B	CARNES RAPAH	12"X12"X12" EGGRATE CEILING GRILLE	LAY-IN	24"X24"	C, D, E, F
TGW	TRANSFER AIR	TUTTLE & BAILEY 8017B	E.H. PRICE 8017B	CARNES RAPAH	FIXED BLADE WALL GRILLE	SURFACE MOUNT	REFER TO DRAWINGS	B, E

TYPE	MANUFACTURER/MODEL	NOTES
RECTANGULAR	AES / AMDC	

GENERAL INFORMATION (ALL DEVICES):
1. INSTALL BOTTOM OF WALL MOUNTED AIR DEVICES AT ELEVATION INDICATED ON DRAWINGS UNLESS NOTED OTHERWISE.
NOTES:
A. 8-WAY (DB1-DB3) OR 4-WAY (DB4-DB6) THROW UNLESS SHOWN OTHERWISE WITH FLOW ARROWS ON PLAN.
B. ALL STEEL CONSTRUCTION.
C. ALL ALUMINUM CONSTRUCTION.
D. BRANCH DUCT SIZE SHALL BE SAME AS NOTED DIFFUSER NECK SIZE UNLESS NOTED OTHERWISE.
E. STANDARD WHITE FINISH.
F. UNITS ARE PROVIDED WITH FACTORY MOUNTED NON-FUSED TOGGLE DISCONNECT SWITCH LOCATED ON TOP OF AIR CURTAIN ENCLOSURE PANELS UP TO CEILING AND FACTORY-INSTALLED RELATED STAFFOFFS AS REQUIRED.
G. UNITS ARE PROVIDED WITH FACTORY MOUNTED NON-FUSED TOGGLE DISCONNECT SWITCH LOCATED ON TOP OF AIR CURTAIN ENCLOSURE PANELS UP TO CEILING AND FACTORY-INSTALLED RELATED STAFFOFFS AS REQUIRED.
H. UNITS ARE PROVIDED WITH FACTORY MOUNTED NON-FUSED TOGGLE DISCONNECT SWITCH LOCATED ON TOP OF AIR CURTAIN ENCLOSURE PANELS UP TO CEILING AND FACTORY-INSTALLED RELATED STAFFOFFS AS REQUIRED.
I. UNITS ARE PROVIDED WITH FACTORY MOUNTED NON-FUSED TOGGLE DISCONNECT SWITCH LOCATED ON TOP OF AIR CURTAIN ENCLOSURE PANELS UP TO CEILING AND FACTORY-INSTALLED RELATED STAFFOFFS AS REQUIRED.
J. UNITS ARE PROVIDED WITH FACTORY MOUNTED NON-FUSED TOGGLE DISCONNECT SWITCH LOCATED ON TOP OF AIR CURTAIN ENCLOSURE PANELS UP TO CEILING AND FACTORY-INSTALLED RELATED STAFFOFFS AS REQUIRED.
K. UNITS ARE PROVIDED WITH FACTORY MOUNTED NON-FUSED TOGGLE DISCONNECT SWITCH LOCATED ON TOP OF AIR CURTAIN ENCLOSURE PANELS UP TO CEILING AND FACTORY-INSTALLED RELATED STAFFOFFS AS REQUIRED.
L. UNITS ARE PROVIDED WITH FACTORY MOUNTED NON-FUSED TOGGLE DISCONNECT SWITCH LOCATED ON TOP OF AIR CURTAIN ENCLOSURE PANELS UP TO CEILING AND FACTORY-INSTALLED RELATED STAFFOFFS AS REQUIRED.
M. UNITS ARE PROVIDED WITH FACTORY MOUNTED NON-FUSED TOGGLE DISCONNECT SWITCH LOCATED ON TOP OF AIR CURTAIN ENCLOSURE PANELS UP TO CEILING AND FACTORY-INSTALLED RELATED STAFFOFFS AS REQUIRED.
N. UNITS ARE PROVIDED WITH FACTORY MOUNTED NON-FUSED TOGGLE DISCONNECT SWITCH LOCATED ON TOP OF AIR CURTAIN ENCLOSURE PANELS UP TO CEILING AND FACTORY-INSTALLED RELATED STAFFOFFS AS REQUIRED.
O. UNITS ARE PROVIDED WITH FACTORY MOUNTED NON-FUSED TOGGLE DISCONNECT SWITCH LOCATED ON TOP OF AIR CURTAIN ENCLOSURE PANELS UP TO CEILING AND FACTORY-INSTALLED RELATED STAFFOFFS AS REQUIRED.
P. UNITS ARE PROVIDED WITH FACTORY MOUNTED NON-FUSED TOGGLE DISCONNECT SWITCH LOCATED ON TOP OF AIR CURTAIN ENCLOSURE PANELS UP TO CEILING AND FACTORY-INSTALLED RELATED STAFFOFFS AS REQUIRED.
Q. UNITS ARE PROVIDED WITH FACTORY MOUNTED NON-FUSED TOGGLE DISCONNECT SWITCH LOCATED ON TOP OF AIR CURTAIN ENCLOSURE PANELS UP TO CEILING AND FACTORY-INSTALLED RELATED STAFFOFFS AS REQUIRED.
R. UNITS ARE PROVIDED WITH FACTORY MOUNTED NON-FUSED TOGGLE DISCONNECT SWITCH LOCATED ON TOP OF AIR CURTAIN ENCLOSURE PANELS UP TO CEILING AND FACTORY-INSTALLED RELATED STAFFOFFS AS REQUIRED.
S. UNITS ARE PROVIDED WITH FACTORY MOUNTED NON-FUSED TOGGLE DISCONNECT SWITCH LOCATED ON TOP OF AIR CURTAIN ENCLOSURE PANELS UP TO CEILING AND FACTORY-INSTALLED RELATED STAFFOFFS AS REQUIRED.
T. UNITS ARE PROVIDED WITH FACTORY MOUNTED NON-FUSED TOGGLE DISCONNECT SWITCH LOCATED ON TOP OF AIR CURTAIN ENCLOSURE PANELS UP TO CEILING AND FACTORY-INSTALLED RELATED STAFFOFFS AS REQUIRED.
U. UNITS ARE PROVIDED WITH FACTORY MOUNTED NON-FUSED TOGGLE DISCONNECT SWITCH LOCATED ON TOP OF AIR CURTAIN ENCLOSURE PANELS UP TO CEILING AND FACTORY-INSTALLED RELATED STAFFOFFS AS REQUIRED.
V. UNITS ARE PROVIDED WITH FACTORY MOUNTED NON-FUSED TOGGLE DISCONNECT SWITCH LOCATED ON TOP OF AIR CURTAIN ENCLOSURE PANELS UP TO CEILING AND FACTORY-INSTALLED RELATED STAFFOFFS AS REQUIRED.
W. UNITS ARE PROVIDED WITH FACTORY MOUNTED NON-FUSED TOGGLE DISCONNECT SWITCH LOCATED ON TOP OF AIR CURTAIN ENCLOSURE PANELS UP TO CEILING AND FACTORY-INSTALLED RELATED STAFFOFFS AS REQUIRED.
X. UNITS ARE PROVIDED WITH FACTORY MOUNTED NON-FUSED TOGGLE DISCONNECT SWITCH LOCATED ON TOP OF AIR CURTAIN ENCLOSURE PANELS UP TO CEILING AND FACTORY-INSTALLED RELATED STAFFOFFS AS REQUIRED.
Y. UNITS ARE PROVIDED WITH FACTORY MOUNTED NON-FUSED TOGGLE DISCONNECT SWITCH LOCATED ON TOP OF AIR CURTAIN ENCLOSURE PANELS UP TO CEILING AND FACTORY-INSTALLED RELATED STAFFOFFS AS REQUIRED.
Z. UNITS ARE PROVIDED WITH FACTORY MOUNTED NON-FUSED TOGGLE DISCONNECT SWITCH LOCATED ON TOP OF AIR CURTAIN ENCLOSURE PANELS UP TO CEILING AND FACTORY-INSTALLED RELATED STAFFOFFS AS REQUIRED.

Order Plans

STIPULATION FOR THE USER... MPW ENGINEERING, LLC... APOKA, FL... STORE NO. 0684... JOB NUMBER: 0971-05-006... 41.2

Walmart APOKA, FL STORE NO. 0684

01/25/17	REV #1
03/27/17	REV #4

CHECKED BY:	MM
DRAWN BY:	MT
FILE NAME:	M3
PROTO CYCLE:	10/28/16
DOCUMENT DATE:	01/26/17

BID SET NOT FOR CONSTRUCTION

THIS ITEM HAS BEEN ELECTRONICALLY SIGNED AND SEALED BY SCOTT C. WEBB, PE ON THE DATE AND/OR TIME STAMP SHOWN USING A DIGITAL SIGNATURE. PRINTED COPIES OF THIS DOCUMENT ARE NOT CONSIDERED SIGNED AND SEALED AND THE SIGNATURE MUST BE VERIFIED ON ANY ELECTRONIC COPIES.

MECHANICAL SCHEDULES AND DETAILS

SHEET M3