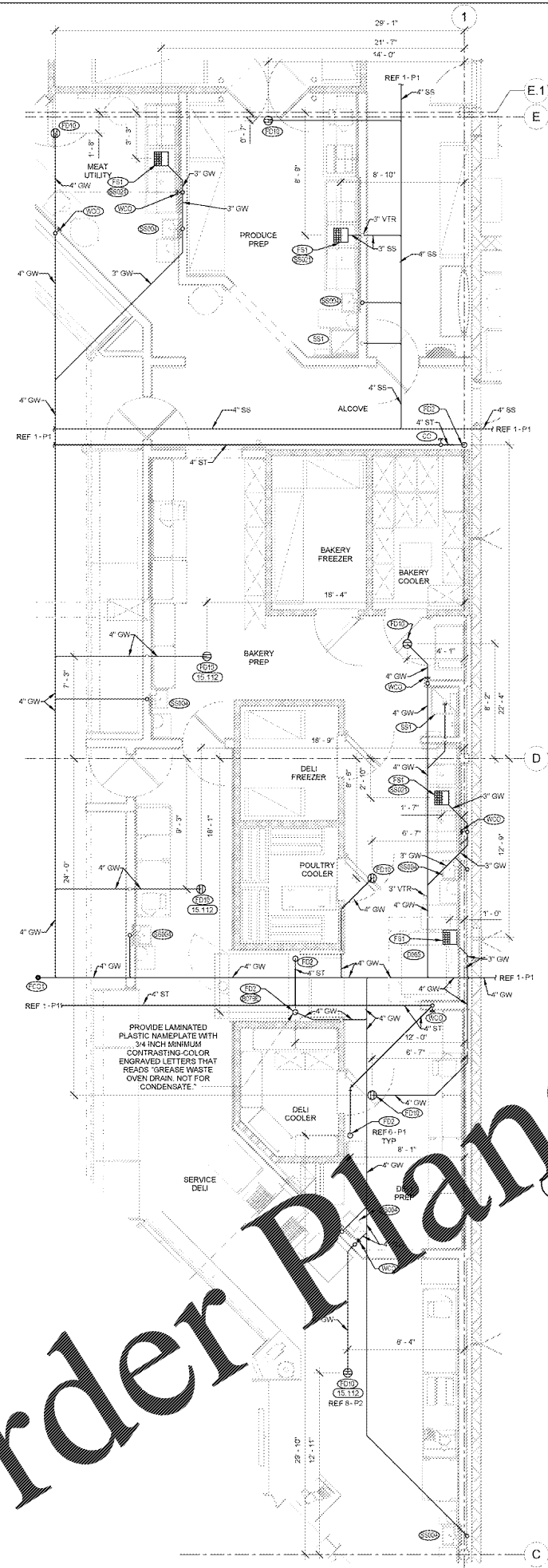
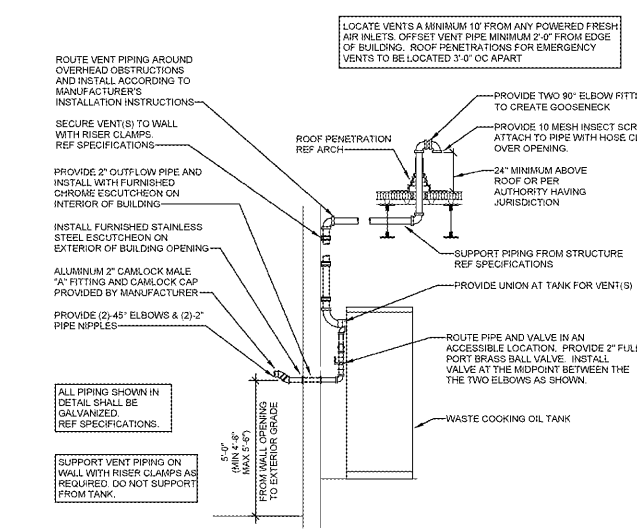


**KEYNOTES**

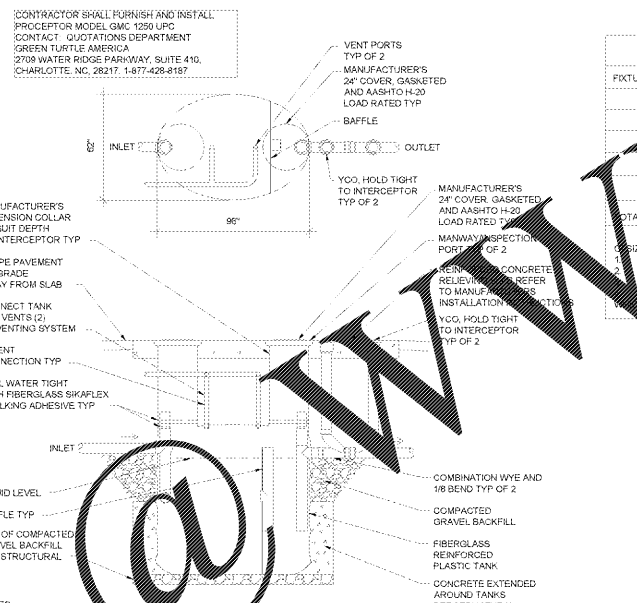
15.112 SET TOP OF DRAIN ELEVATION AT 99.97. SLOPE FLOOR TO DRAIN PER OPEN FLOOR AREA DRAIN DETAIL.



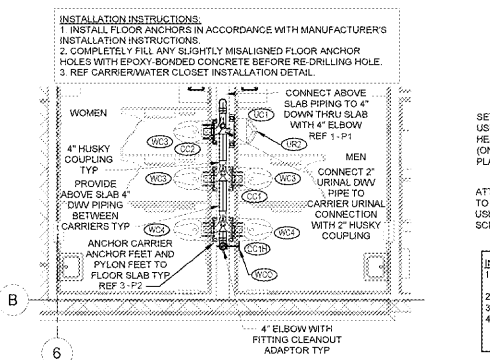
**1 PREP AREA DWV PLAN**  
1/4" = 1'-0"  
SCALE: 1/4"=1'-0"



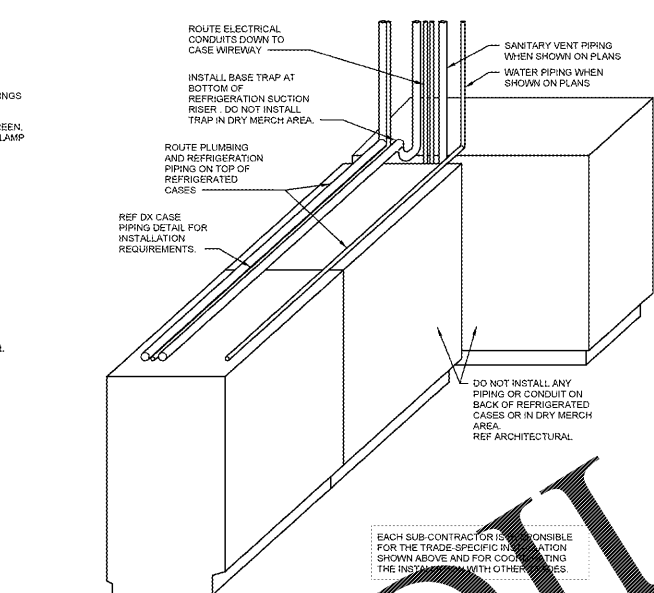
**7 WASTE COOKING OIL TANK PIPING**  
NTS



**5 GREASE INTERCEPTOR**  
NTS



**2 RESTROOM CARRIERS**  
1/4" = 1'-0"  
SCALE: 1/4"=1'-0"



**6 TOP OF CASE UTILITIES - PLUMBING**  
NTS

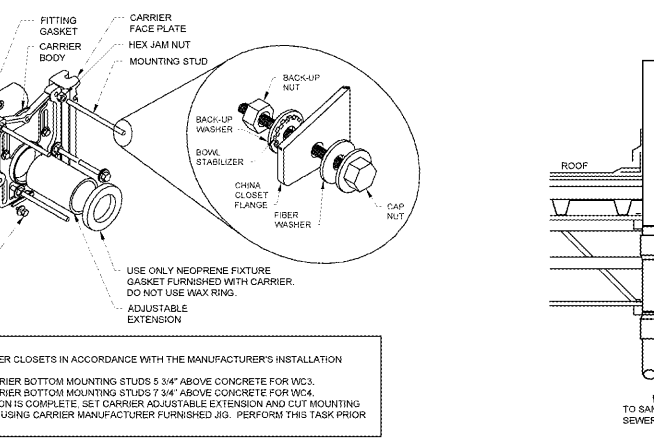
**GREASE INTERCEPTOR SIZING CHART**

FIXTURE QUANTITY	FIXTURE DESCRIPTION	DRAINAGE FIXTURE UNITS (DFU)	TOTAL DFU
2	DUMP SINK (FLOOR SINK - 4" TRAP)	2	12
2	HAND SINK	2	4
2	HAND SINK (OPEN DRAIN - 4" TRAP)	2	12
6	DOOR DRAIN (4" TRAP)	6	42
1	DOOR DRAIN (4" TRAP)	6	6
TOTAL DRAINAGE FIXTURES REQUIRED (DFU)			78

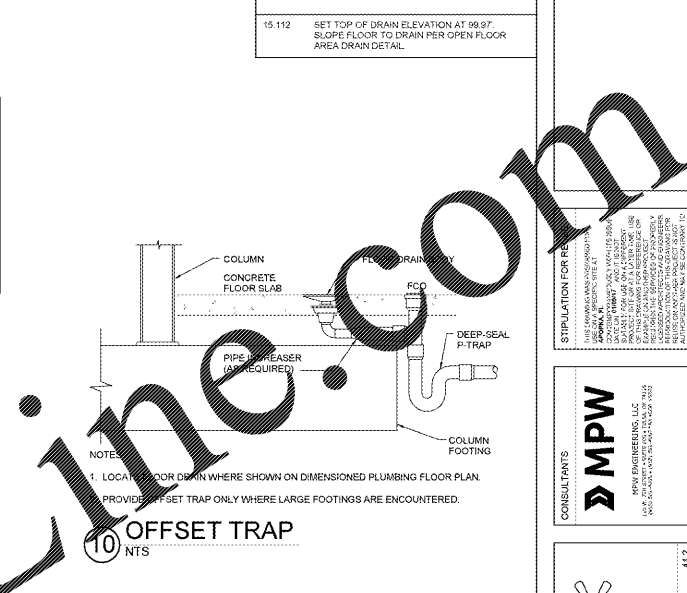
**SIZING NOTES:**  
 1. FIXTURE DRAINAGE FIXTURE UNITS (DFU) PER 2014 FLORIDA PLUMBING CODE, TABLE 709.1  
 2. 4 INCH TRAP = 6 DFU PER 2014 FLORIDA PLUMBING CODE, TABLE 709.2  
 3. PER 2012 UPC TABLE 1014.3.6, 90 DFU EQUAL 1250 GALLONS GREASE INTERCEPTOR  
 4. USE GREEN TURTLE PROCEPTOR MODEL GNC 1250 UPC GALLONS GREASE INTERCEPTOR FOR THIS PROJECT EXCEED THE REQUIREMENT



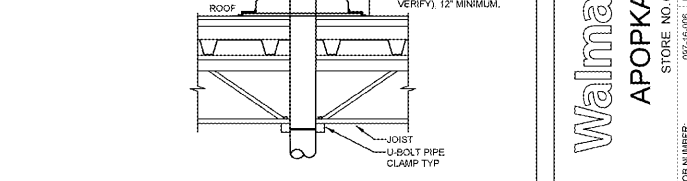
**9 VENT THRU ROOF (VTR)**  
NTS



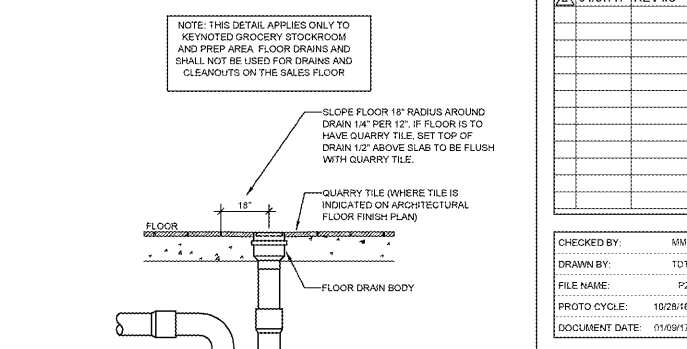
**3 CARRIER/WATER CLOSET INSTALLATION**  
NTS



**10 OFFSET TRAP**  
NTS



**8 OPEN FLOOR AREA DRAIN**  
NTS



**4 ROOF-MOUNTED MAINTENANCE DRAIN**  
NTS

STIPULATION FOR THE...  
 THIS DOCUMENT IS THE PROPERTY OF...  
 IT IS TO BE USED ONLY FOR THE PROJECT...  
 IT IS NOT TO BE REPRODUCED, COPIED, OR...  
 IN ANY MANNER WITHOUT THE WRITTEN...  
 PERMISSION OF THE ENGINEER OF RECORD...  
 ANY UNAUTHORIZED USE OF THIS DOCUMENT...  
 SHALL BE AT THE USER'S SOLE RISK AND...  
 LIABILITY.

**MPW**  
 PIPE ENGINEERING, LLC  
 1100 N. W. 10th St., Suite 100  
 Ft. Lauderdale, FL 33304  
 TEL: 954.575.1100  
 FAX: 954.575.1101  
 WWW.MPWENGINEERING.COM

**Walmart**  
 APOKA, FL  
 STORE NO. 0884  
 997-05-006 PHOTO  
 JOB NUMBER 412

**ISSUE BLOCK**

DATE	REV #	DESCRIPTION
02/20/17	REV #2	
04/07/17	REV #5	

CHECKED BY: MAM  
 DRAWN BY: TDT  
 FILE NAME: P2  
 PHOTO CYCLE: 1028/16  
 DOCUMENT DATE: 01/09/17

**BID SET  
 NOT FOR  
 CONSTRUCTION**

**ENLARGED  
 DWV PLANS  
 AND DETAILS**

SHEET: **P2**

Order Plans @ [www.IDLine.com](http://www.IDLine.com)