

- SHEET NOTES**
1. ALL EXPOSED COUNTERTOP CORNERS ARE TO BE EASED
  2. ALL MELAMINE TO BE WHITE UNO
  3. REF SHEET A7 FOR SCHEDULE FINISH KEY
  4. REF ELECTRICAL FOR COVER PLATE MATERIAL AND FINISH

**MMA**  
 MILLWORK MANUFACTURING ASSOCIATES, INC.  
 3327 Route 86, Neptune, NJ 07753  
 732.918.2300 / 732.918.7351

STIPULATION FOR THE MILLWORK CONTRACTOR TO BE AWARE OF THE FOLLOWING: THE MILLWORK CONTRACTOR SHALL BE RESPONSIBLE FOR OBTAINING ALL NECESSARY PERMITS AND APPROVALS FROM THE LOCAL, STATE AND FEDERAL AUTHORITIES. THE MILLWORK CONTRACTOR SHALL BE RESPONSIBLE FOR OBTAINING ALL NECESSARY PERMITS AND APPROVALS FROM THE LOCAL, STATE AND FEDERAL AUTHORITIES. THE MILLWORK CONTRACTOR SHALL BE RESPONSIBLE FOR OBTAINING ALL NECESSARY PERMITS AND APPROVALS FROM THE LOCAL, STATE AND FEDERAL AUTHORITIES.

CONSULTANTS

**Walmart Neighborhood Market**  
**APOPKA, FL**  
 STORE NO: 6894-00  
 997-65-0061 PHOTO  
 JOB NUMBER

ISSUE BLOCK

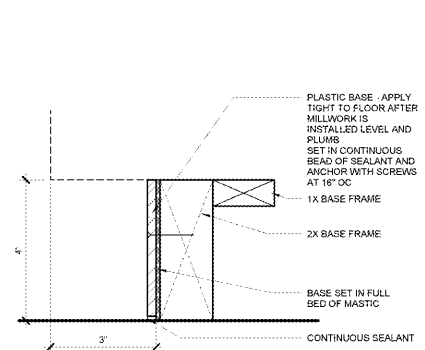
NO.	DESCRIPTION

CHECKED BY: MMA  
 DRAWN BY: MMA  
 FILE NAME: 41\_2-A9.1  
 PHOTO CYCLE: 102816  
 DOCUMENT DATE: 01/29/17

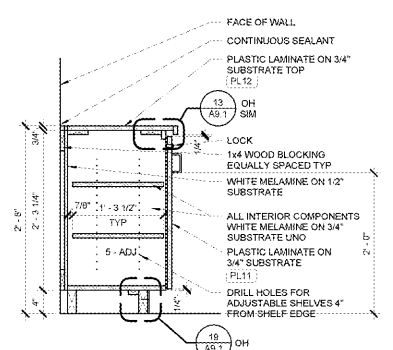
**BID SET NOT FOR CONSTRUCTION**

MILLWORK

SHEET  
**A9.1**



**19 TOE SPACE**  
 2\"/>



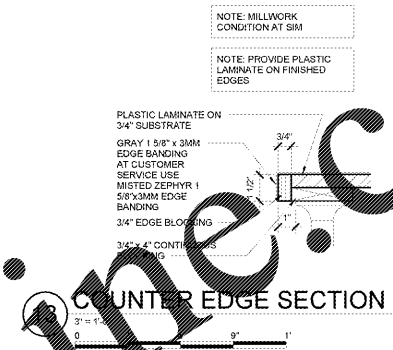
**18 CUSTOMER SERVICE SECTION**  
 1\"/>

**17 NOT USED**  
 N.T.S.

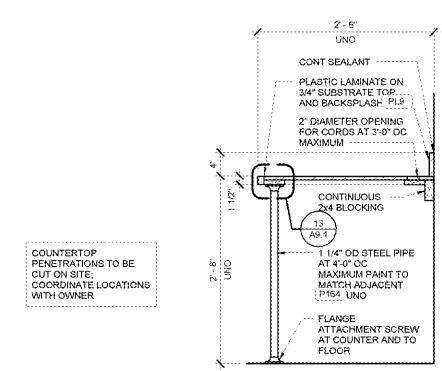
**16 NOT USED**  
 N.T.S.

**15 NOT USED**  
 N.T.S.

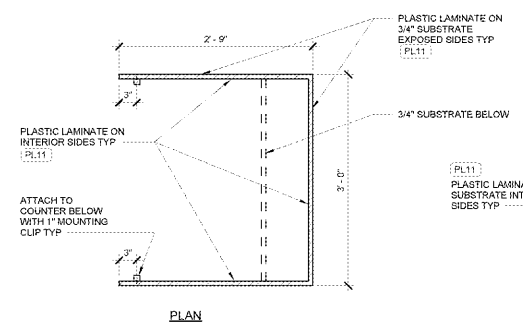
**14 NOT USED**  
 N.T.S.



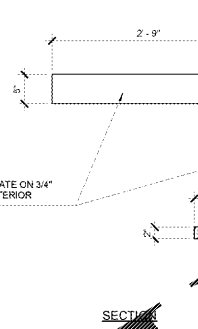
**13 CUSTOMER SERVICE SECTION**  
 1\"/>



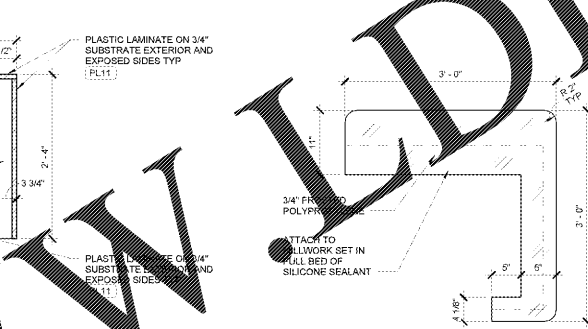
**12 COUNTER SECTION**  
 1\"/>



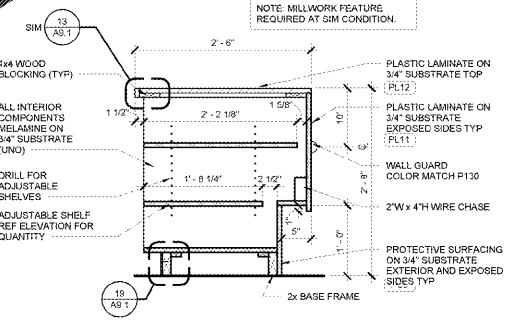
**11 CUSTOMER SERVICE PLAN/ SECTION**  
 1\"/>



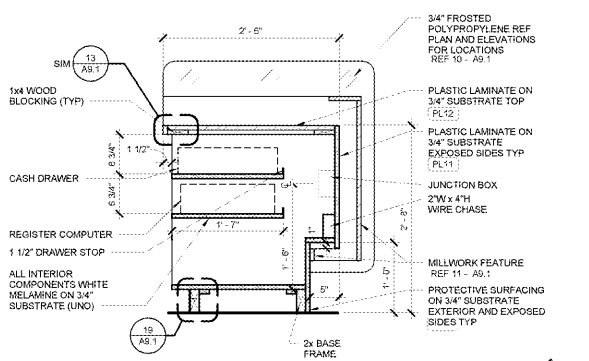
**10 POLYPROPYLENE PANEL**  
 1\"/>



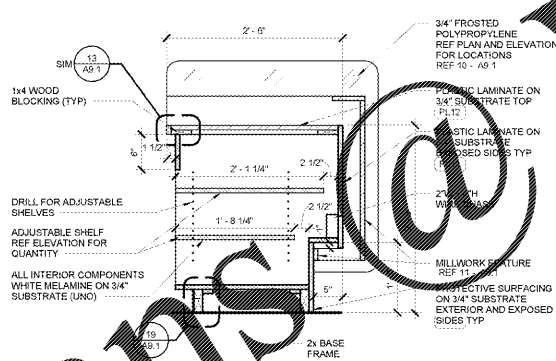
**9 CUSTOMER SERVICE SECTION**  
 1\"/>



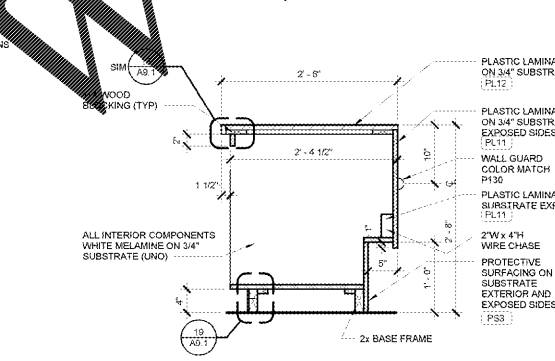
**8 CUSTOMER SERVICE SECTION**  
 1\"/>



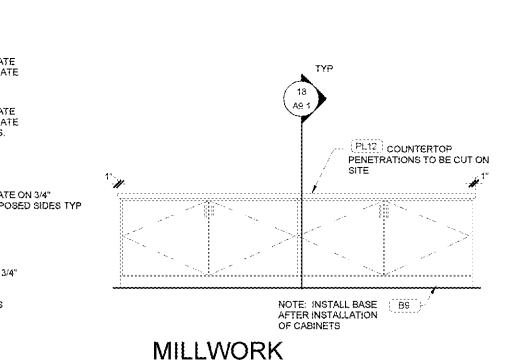
**7 CUSTOMER SERVICE SECTION**  
 1\"/>



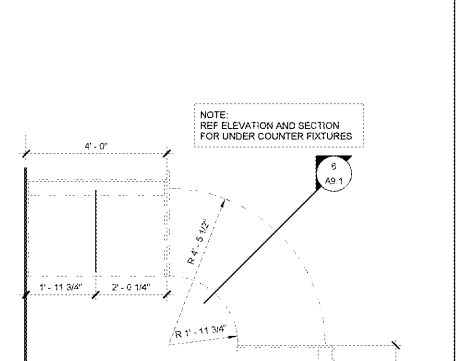
**6 CUSTOMER SERVICE SECTION**  
 1\"/>



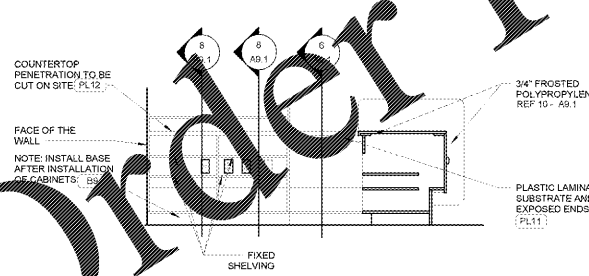
**5 MILLWORK ELEVATION**  
 1/2\"/>



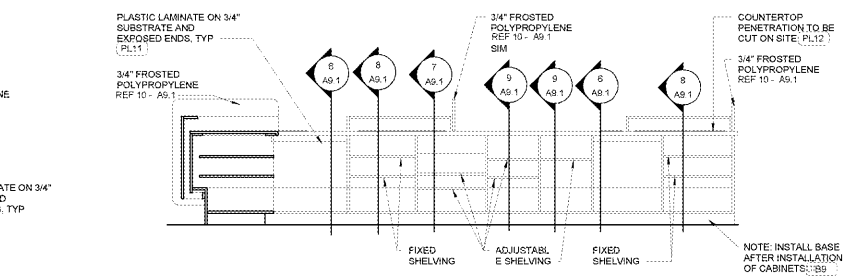
**4 CUSTOMER SERVICE SECTION**  
 1\"/>



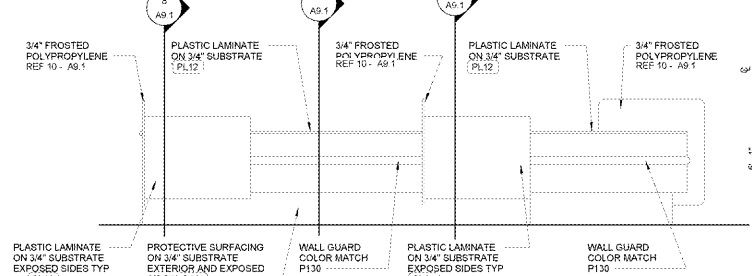
**3 MILLWORK ELEVATION**  
 1/2\"/>



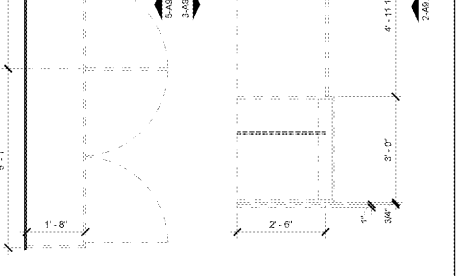
**2 MILLWORK ELEVATION**  
 1/2\"/>



**1 CUSTOMER SERVICE MILLWORK PLAN**  
 1/2\"/>



**1 CUSTOMER SERVICE MILLWORK PLAN**  
 1/2\"/>



**1 CUSTOMER SERVICE MILLWORK PLAN**  
 1/2\"/>

**Order Plans @**

**WWW.MILLWORKMANUFACTURING.COM**