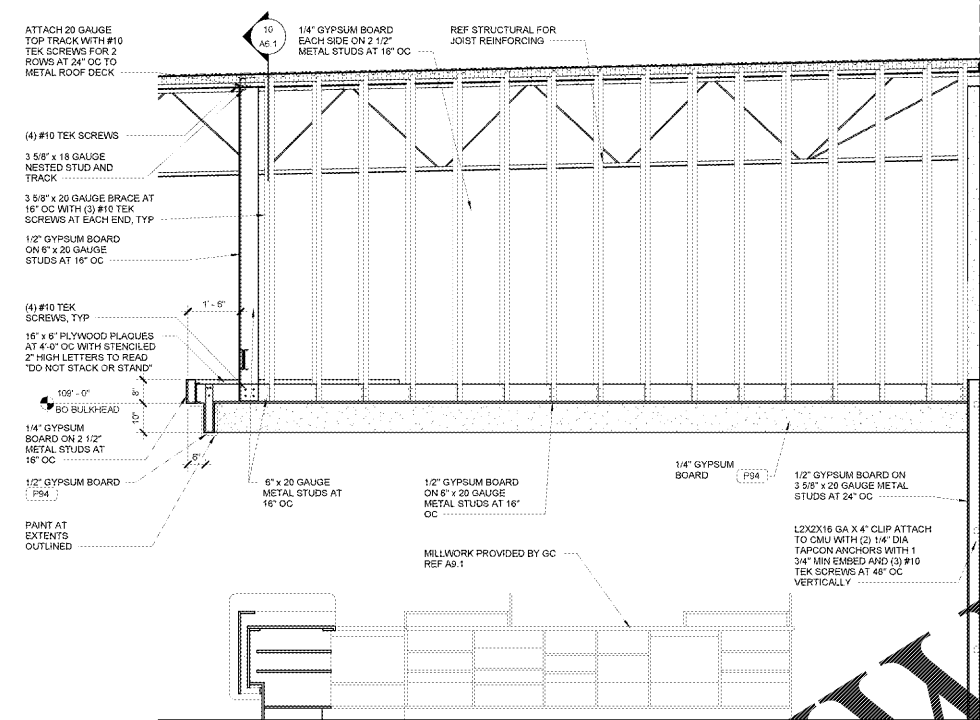
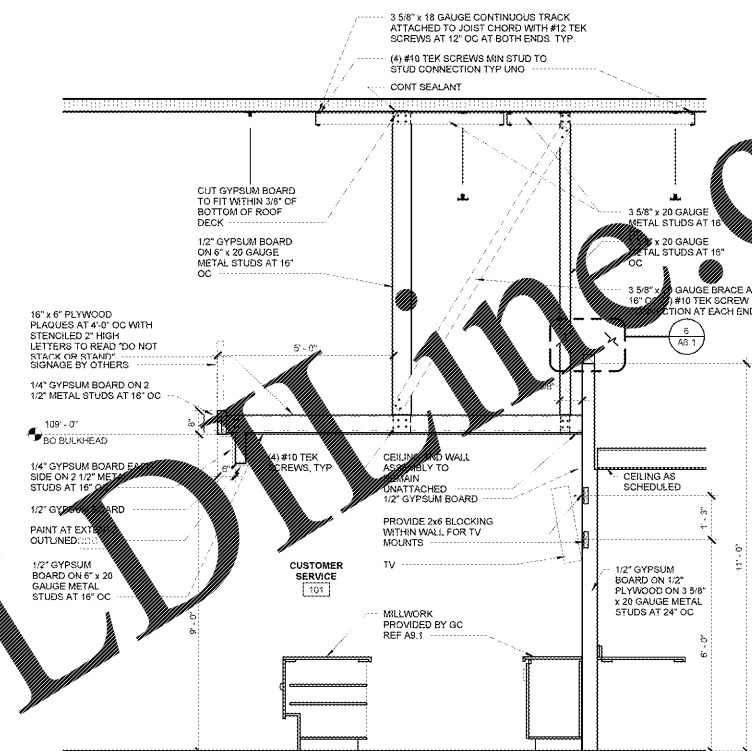


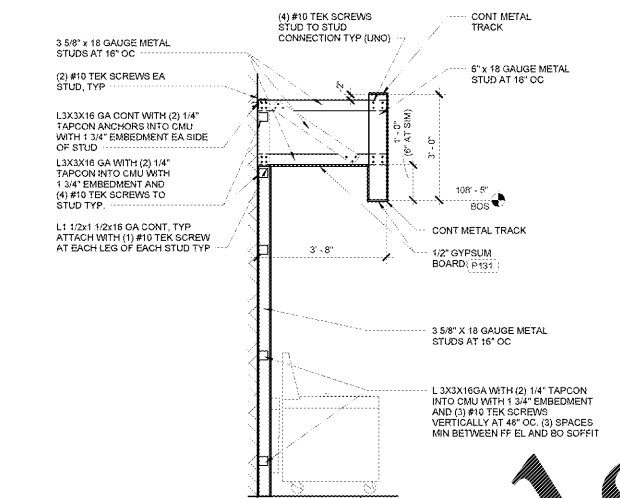
9 WALL SECTION
1 1/2" = 1'-0"



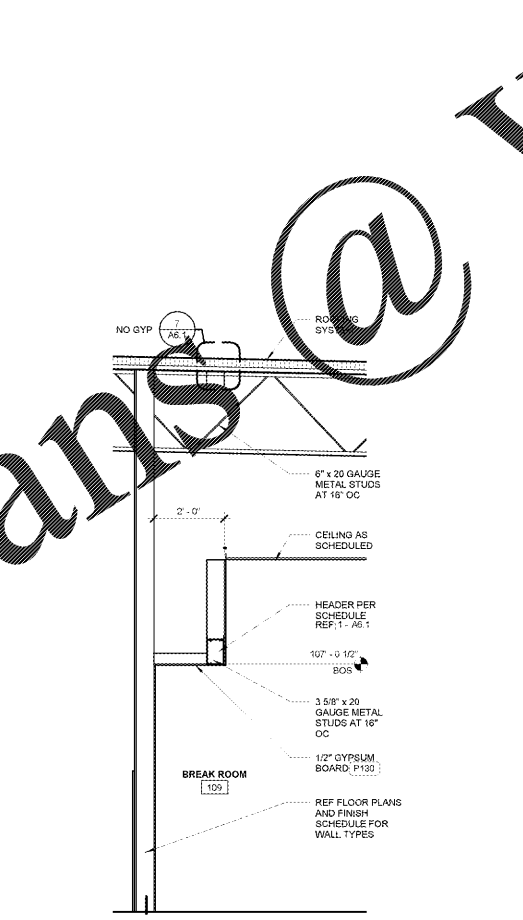
6 SECTION AT CUSTOMER SERVICE
1 1/2" = 1'-0"



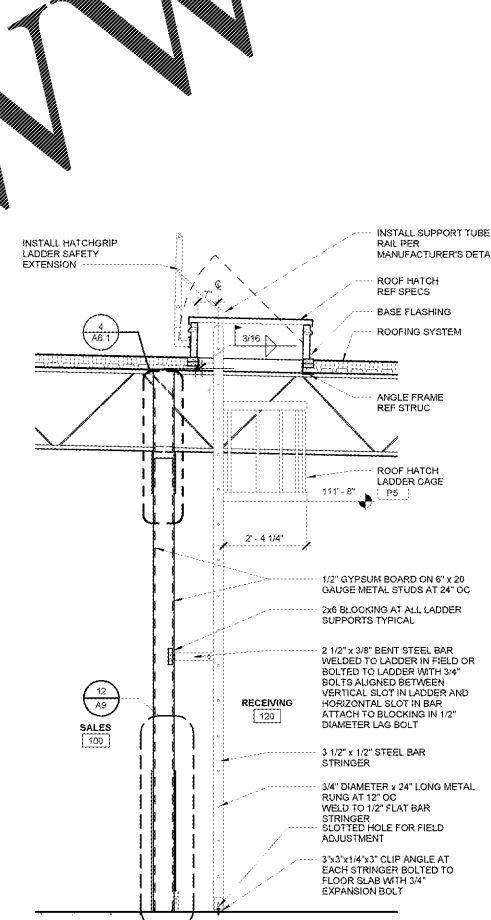
5 SECTION AT CUSTOMER SERVICE
1 1/2" = 1'-0"



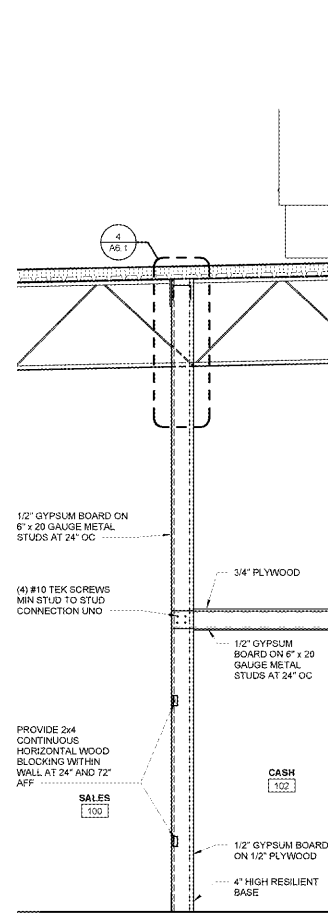
8 SECTION AT BEVERAGE BAR
1 1/2" = 1'-0"



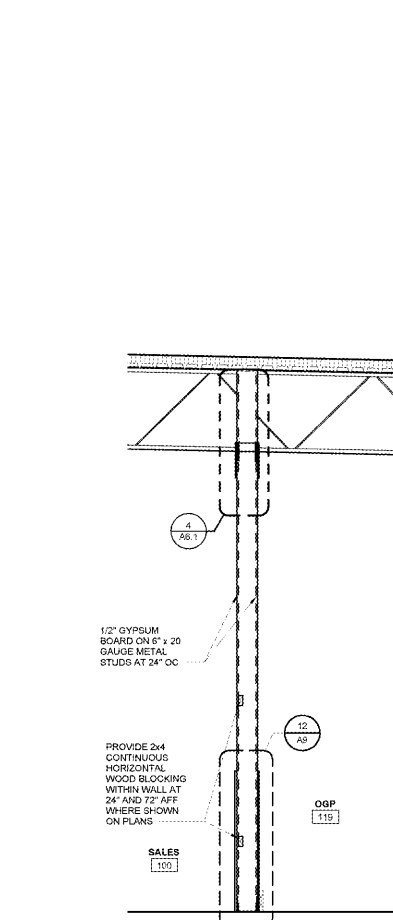
4 SECTION AT BREAK ROOM HEADER
1 1/2" = 1'-0"



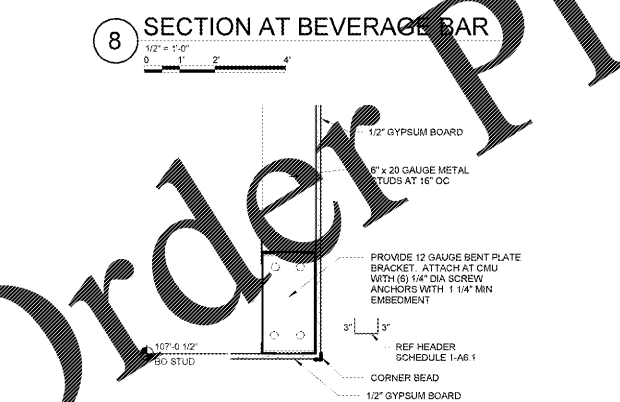
3 SECTION AT ROOF LADDER
1 1/2" = 1'-0"



2 SECTION AT CASH OFFICE
1 1/2" = 1'-0"



1 SECTION AT GROCERY STORAGE
1 1/2" = 1'-0"



7 HEADER AT BREAK ROOM
1 1/2" = 1'-0"



STIPULATION FOR THE CONSULTANTS TO BE CONSULTED BY THE ARCHITECT FOR THE PROJECT: THE CONSULTANTS SHALL BE RESPONSIBLE FOR THE DESIGN AND CONSTRUCTION OF THE PROJECT AS SHOWN ON THE DRAWINGS AND SHALL BE RESPONSIBLE FOR THE DESIGN AND CONSTRUCTION OF THE PROJECT AS SHOWN ON THE DRAWINGS AND SHALL BE RESPONSIBLE FOR THE DESIGN AND CONSTRUCTION OF THE PROJECT AS SHOWN ON THE DRAWINGS.

CONSULTANTS

Walmart Neighborhood Market
APOPKA, FL
STORE NO.: 6894-00
997-61-0061 PHOTO
JOB NUMBER: 412

ISSUE BLOCK
2 REV 3 03/10/17

CHECKED BY: MMA
DRAWN BY: MMA
FILE NAME: 41_2-A6.2
PROTO CYCLE: 102816
DOCUMENT DATE: 01/09/17

BID SET
NOT FOR
CONSTRUCTION

INTERIOR
WALL
SECTIONS

SHEET
A6.2

Order Plans @

WWW.LDLINE.COM