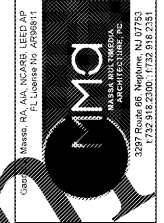


SHEET NOTES

1. REF STRUCTURAL FOR MEMBER TYPE AND ORIENTATION.
2. REF STRUCTURAL FOR FOUNDATION DESIGN AND DETAIL INFORMATION.
3. REF STRUCTURAL FOR GROUT FILL REQUIREMENTS IN MASONRY AT STRUCTURAL CONNECTIONS.



STIPULATION FOR THE USE OF THIS DRAWING IS LIMITED TO THE PROJECT AND SITE SPECIFICALLY IDENTIFIED HEREIN. ANY OTHER USE OF THIS DRAWING WITHOUT THE WRITTEN CONSENT OF THE ARCHITECT IS PROHIBITED. THE ARCHITECT ASSUMES NO LIABILITY FOR THE ACCURACY OF THE INFORMATION PROVIDED BY OTHERS. THE ARCHITECT'S RESPONSIBILITY IS LIMITED TO THE DESIGN AND CONSTRUCTION OF THE MECHANICAL SYSTEMS SHOWN ON THIS DRAWING.

CONSULTANTS

Walmart Neighborhood Market
 APOPKA, FL
 STORE NO.: 6894-00
 997-15-006 | PHOTO
 412

ISSUE BLOCK

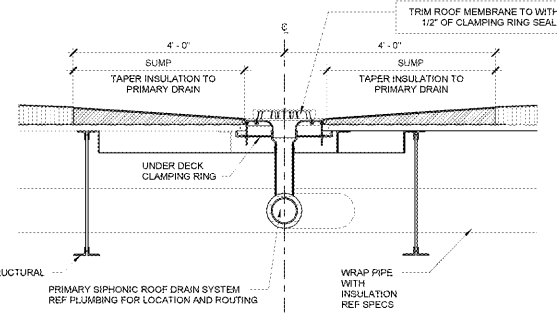
NO.	DATE	DESCRIPTION

CHECKED BY: MMA
 DRAWN BY: MMA
 FILE NAME: 41_2-A.1
 PHOTO CYCLE: 102816
 DOCUMENT DATE: 01/29/17

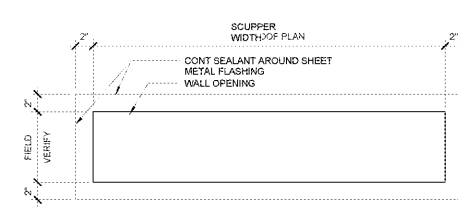
BID SET NOT FOR CONSTRUCTION

ROOF DETAILS

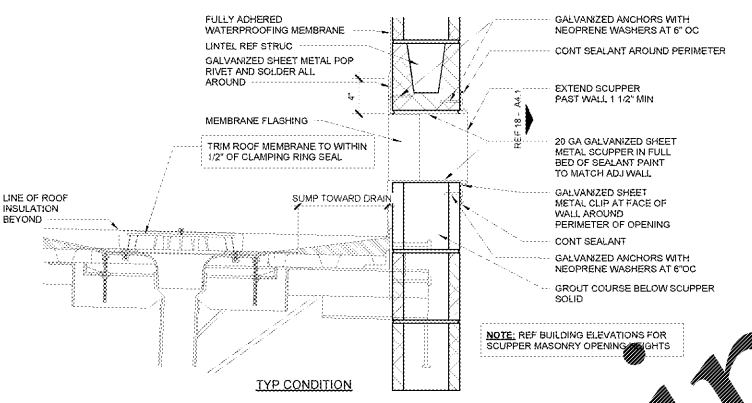
SHEET A4.1



19 INTERNAL ROOF DRAIN SECTION
 3/4" = 1'-0"
 0 1 2 3



18 SCUPPER ELEVATION
 1 1/2" = 1'-0"
 0 1 2



17 THROUGH WALL OVERFLOW SCUPPER
 1 1/2" = 1'-0"
 0 1 2

16 NOT USED
 N.T.S.

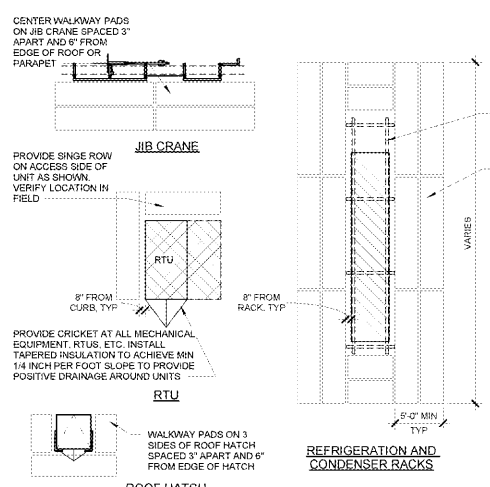
15 NOT USED
 N.T.S.

14 NOT USED
 N.T.S.

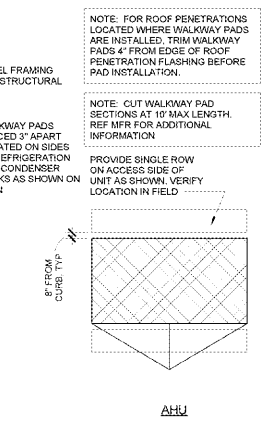
13 NOT USED
 N.T.S.

12 NOT USED
 N.T.S.

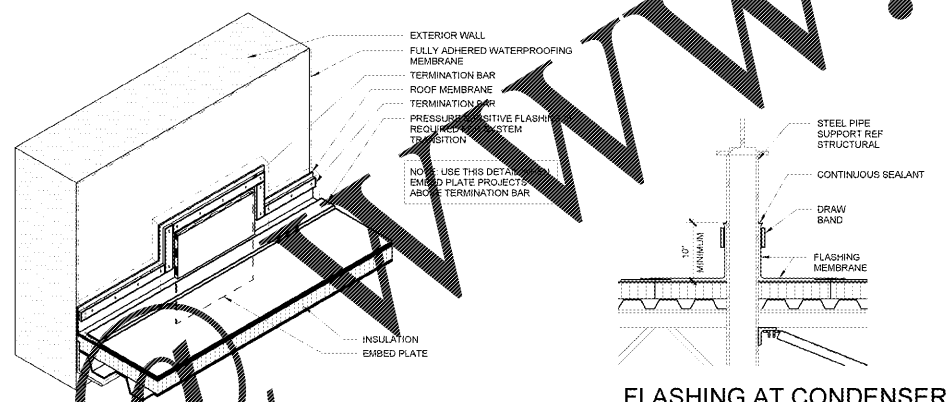
11 NOT USED
 N.T.S.



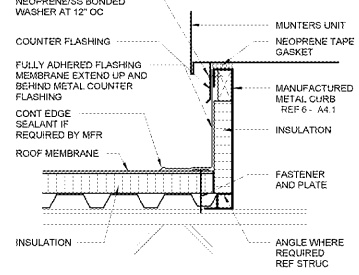
10 PAD LAYOUT
 1/8" = 1'-0"
 0 4 8 16



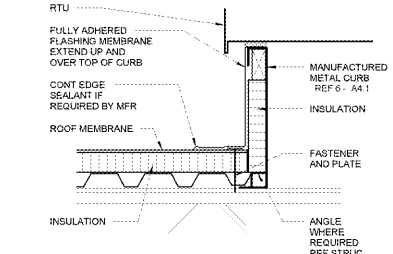
9 FLASHING MEMBRANE
 1" = 1'-0"
 0 1 2



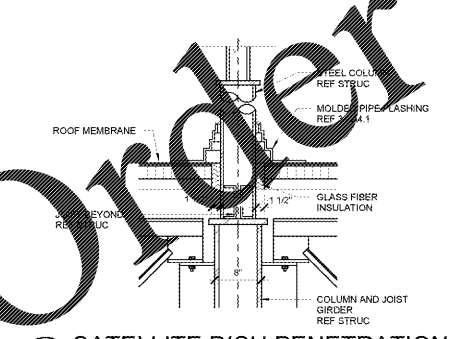
8 FLASHING AT CONDENSER SUPPORT
 1" = 1'-0"
 0 1 2



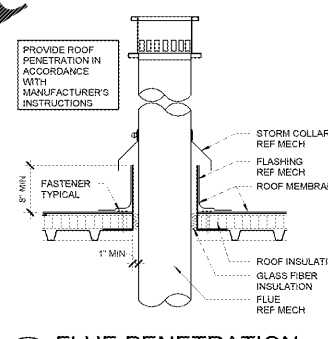
7B MUNTERS UNIT
 1/2" = 1'-0"
 0 1 2



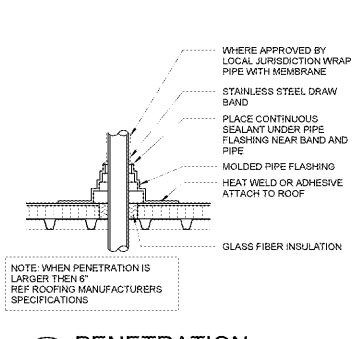
7A ROOF TOP UNIT
 1/2" = 1'-0"
 0 1 2



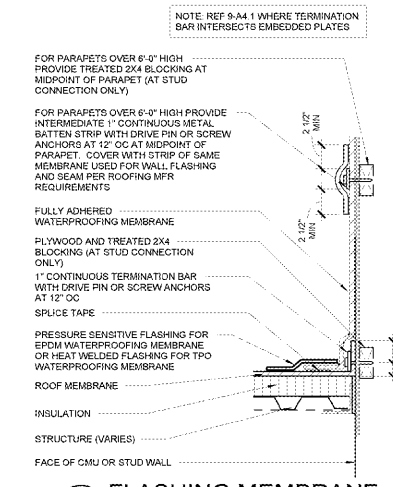
5 SATELLITE DISH PENETRATION
 1" = 1'-0"
 0 1 2



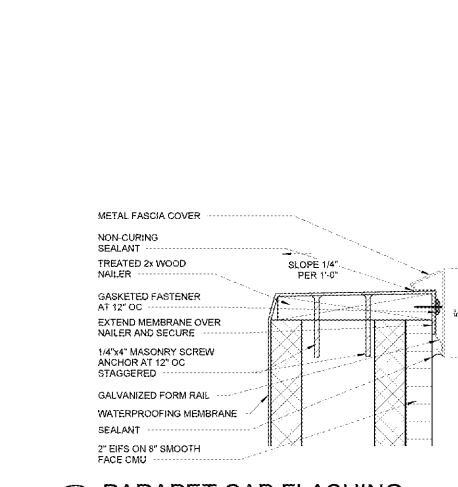
4 FLUE PENETRATION
 1" = 1'-0"
 0 1 2



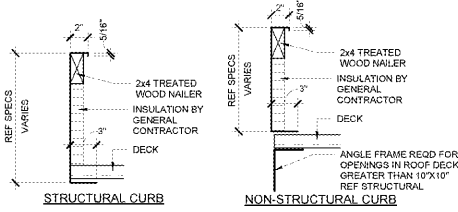
3 PENETRATION
 1" = 1'-0"
 0 1 2



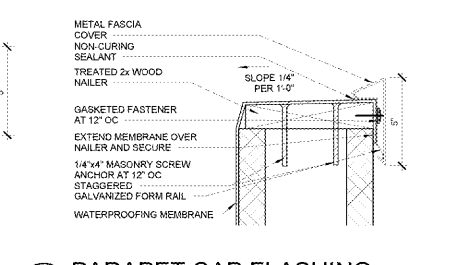
2 FLASHING MEMBRANE
 1 1/2" = 1'-0"
 0 1 2



1A PARAPET CAP FLASHING
 3" = 1'-0"
 0 3 6 9 12



6 CURB
 1 1/2" = 1'-0"
 0 1 2



1 PARAPET CAP FLASHING
 3" = 1'-0"
 0 3 6 9 12

Order Plans

WWW.LDILine.com