

SHEET NOTES

1. REF STRUCTURAL FOR MEMBER TYPE AND ORIENTATION.
2. REF STRUCTURAL FOR FOUNDATION DESIGN AND DETAIL INFORMATION.
3. REF STRUCTURAL FOR GROUT FILL REQUIREMENTS IN MASONRY AT STRUCTURAL CONNECTIONS.

www.LDILine.com

STIPULATION FOR THE USE OF THIS DRAWING IS LIMITED TO THE PROJECT AND SITE SPECIFICALLY IDENTIFIED HEREIN. ANY REUSE OR MODIFICATION OF THIS DRAWING WITHOUT THE WRITTEN CONSENT OF LDILINE, INC. IS STRICTLY PROHIBITED. LDILINE, INC. IS NOT RESPONSIBLE FOR ANY ERRORS OR OMISSIONS IN THIS DRAWING. LDILINE, INC. 3237 Route 66, Memphis, TN 37514. 773.918.2300 / 773.918.2351

CONSULTANTS

Walmart Neighborhood Market
APOKA, FL
 STORE NO: 6894-00
 09/15/06 | PHOTO
 412

ISSUE BLOCK

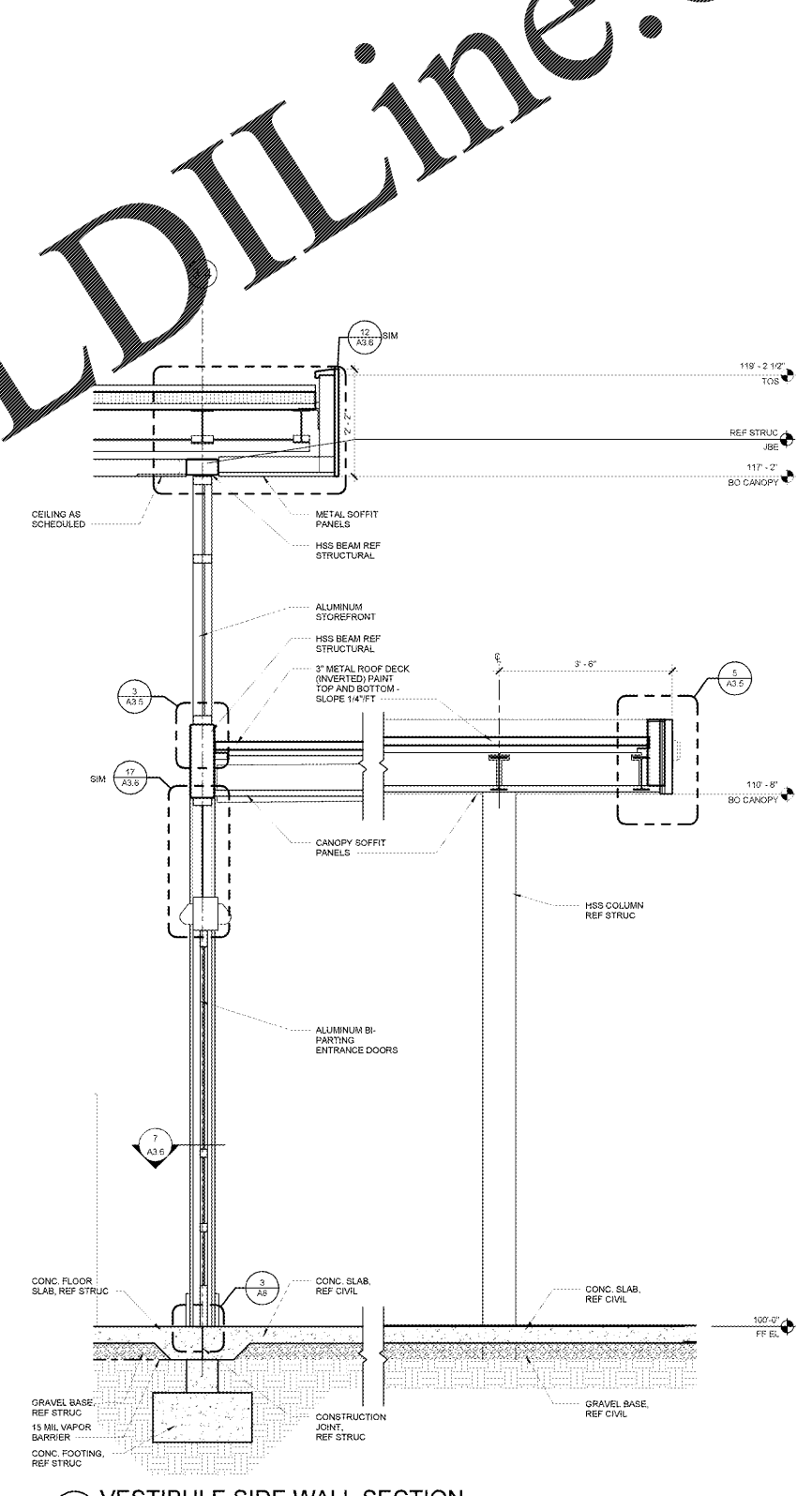
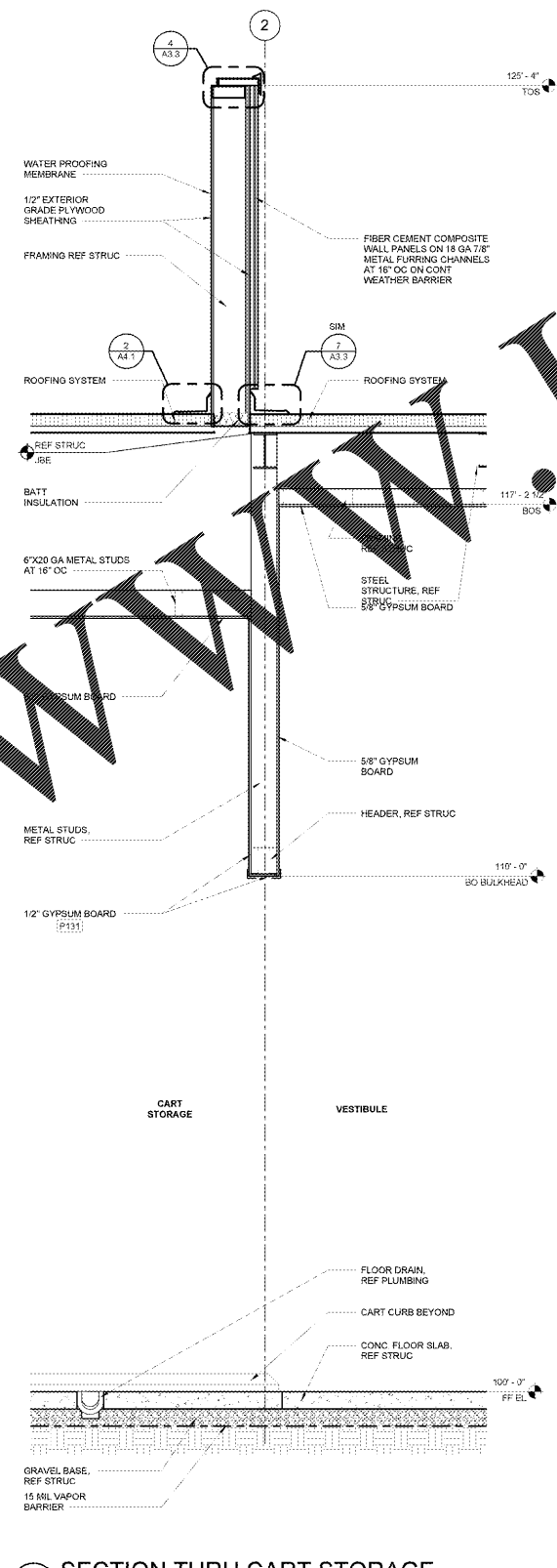
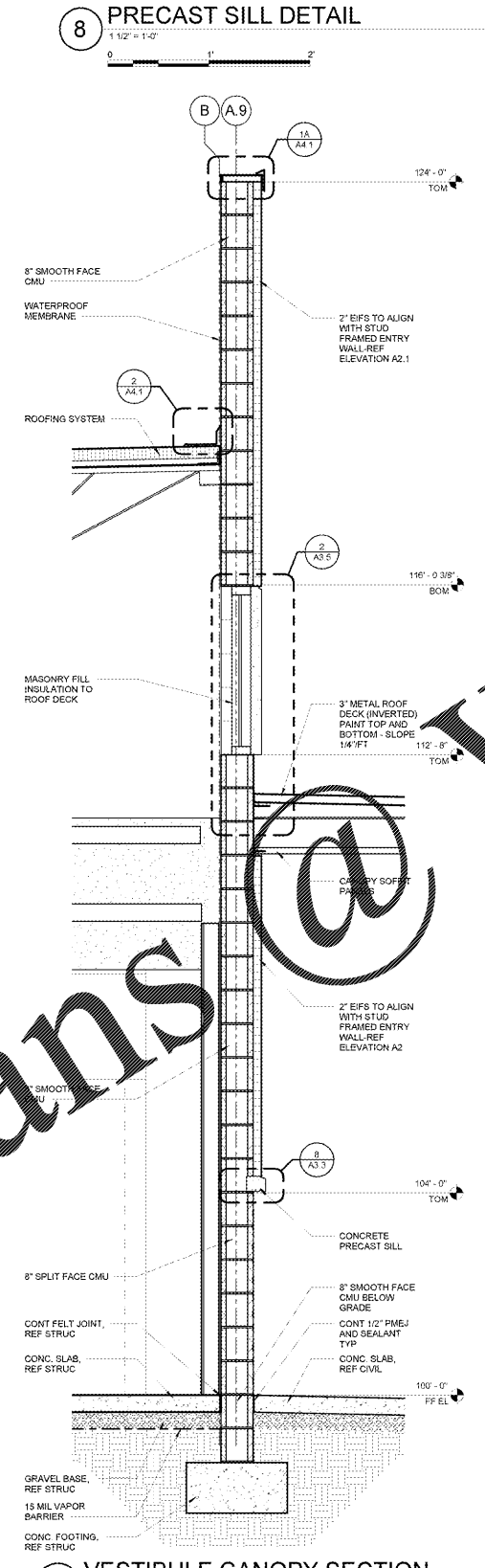
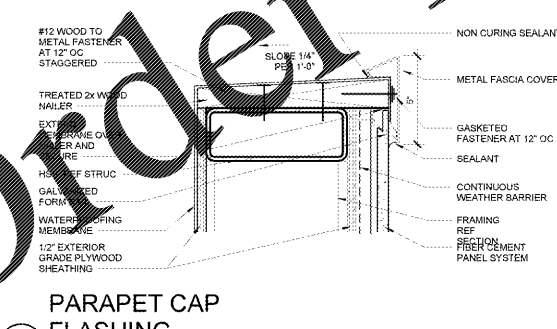
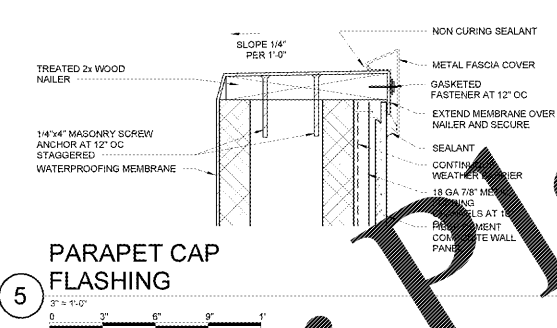
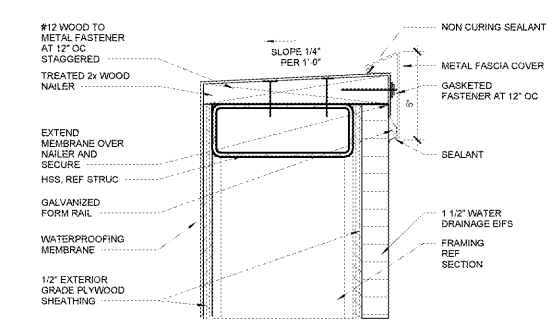
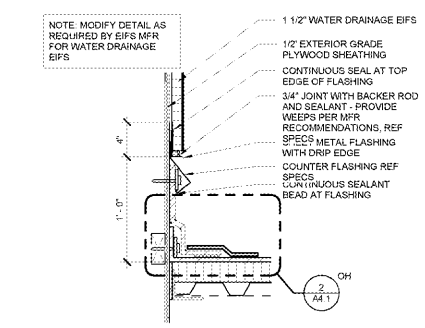
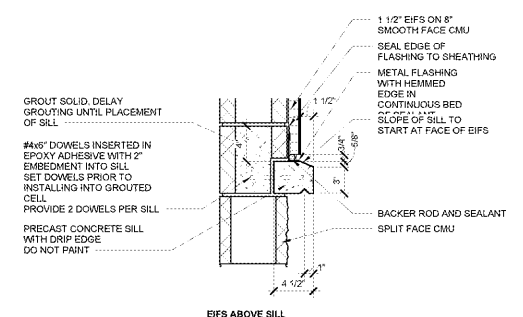
2	REV 3	03/10/17
---	-------	----------

CHECKED BY: MMA
 DRAWN BY: MMA
 FILE NAME: 41_2-A3.3
 PHOTO CYCLE: 102816
 DOCUMENT DATE: 01/09/17

BID SET NOT FOR CONSTRUCTION

EXTERIOR WALL SECTIONS

SHEET
A3.3



Order Plans @ www.LDILine.com